



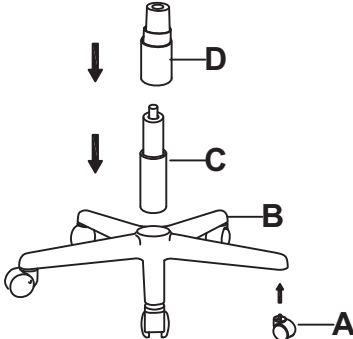
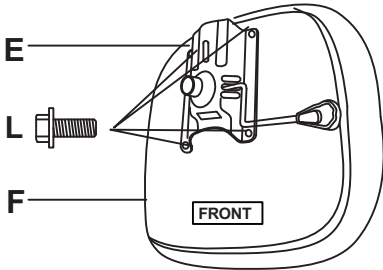
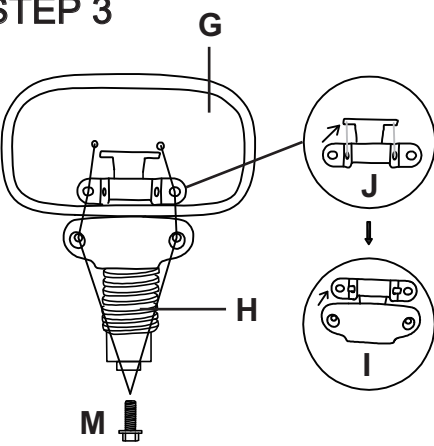


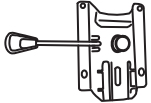

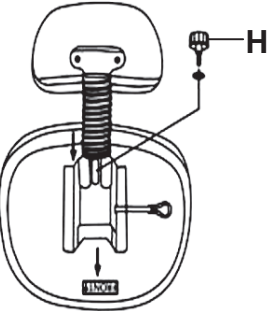
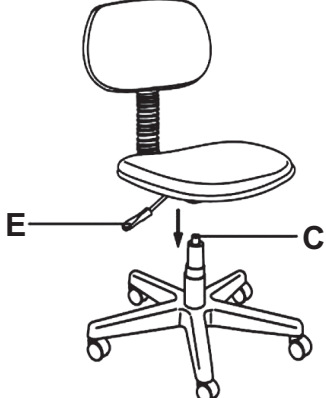




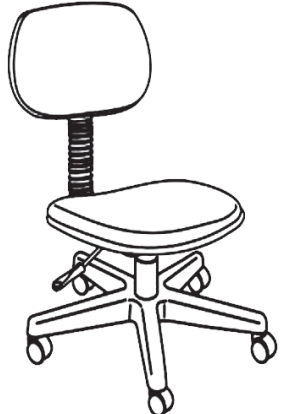



Assembly Instructions

43332779 DEAKIN DESK CHAIR

CARE INSTRUCTIONS: WIPE CLEAN WITH SOFT DAMP CLOTH. NEVER USE SCOURERS, ABRASIVES OR CHEMICAL SOLVENTS. KEEP AWAY FROM MOISTURE AND DIRECT SUNLIGHT. STORE IN A DRY PLACE FOR INDOOR USE ONLY.

WARNING: DO NOT STAND ON THIS CHAIR. DO NOT USE THIS CHAIR AS A STEP LADDER. USE THIS PRODUCT FOR SEATING ONE PERSON AT A TIME. DO NOT USE THIS CHAIR UNLESS ALL BOLTS, SCREWS AND KNOBS ARE FIRMLY SECURE. AT LEAST EVERY 4 MONTHS, CHECK ALL BOLTS, SCREWS AND KNOBS TO BE SURE THEY ARE TIGHT. IF PARTS ARE MISSING, BROKEN, DAMAGED OR WORN, STOP USING THIS PRODUCT UNTIL REPAIRS ARE MADE USING FACTORY AUTHORIZED PARTS. DO NOT TIGHTEN THE SCREWS FULLY DURING ASSEMBLY. FULLY TIGHTEN SCREWS AFTER THE FINAL ASSEMBLY STEPS. FAILURE TO FOLLOW THESE WARNINGS COULD RESULT IN SERIOUS INJURY.

MAXIMUM SAFE LOAD: 100KG.

AX5 	BX1 	STEP 1 	STEP 2 	STEP 3 
CX1 	DX1 			
EX1 	FX1 	When inserting hydraulic cylinder into the wheel base ensure that it is firmly located	STEP 4 	STEP 5 
GX1 	HX1 			
IX1 	JX1 			STEP 6 
KX1  M4	LX4  M6X20mm			
MX2  M6X28mm				