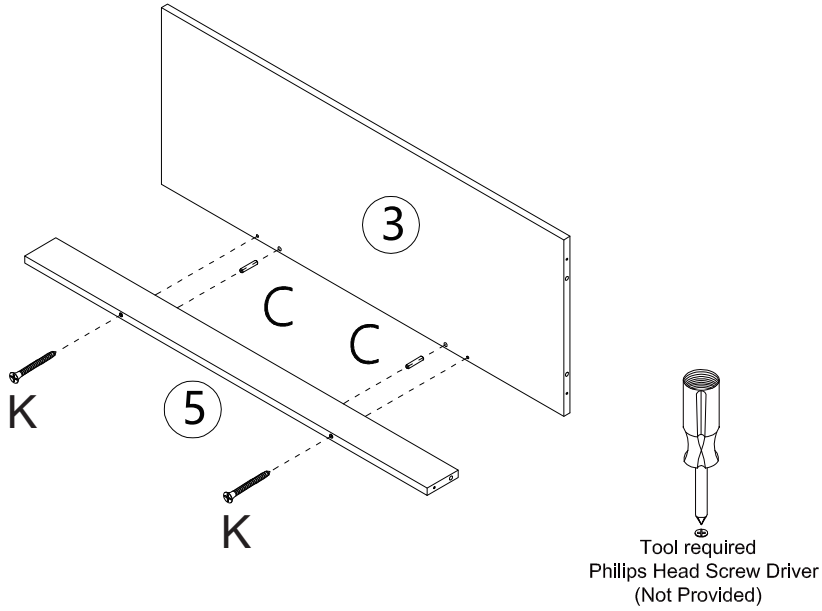


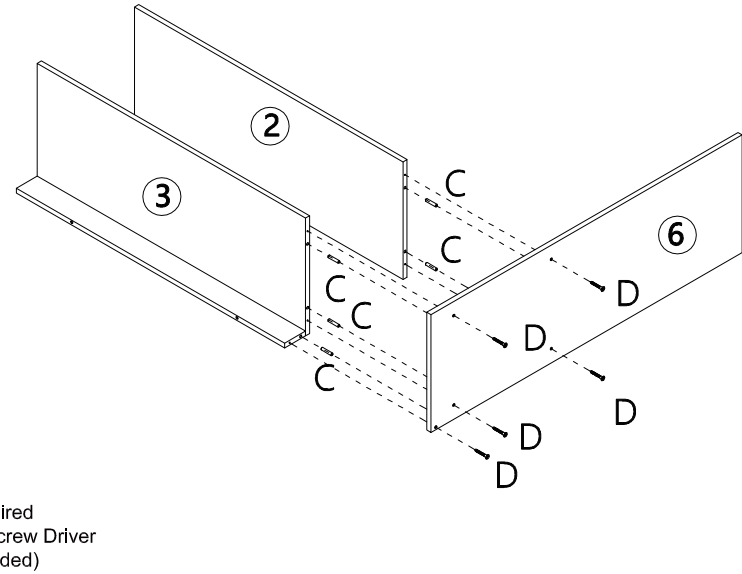
STEP 1:

- C x 2
- K x 2



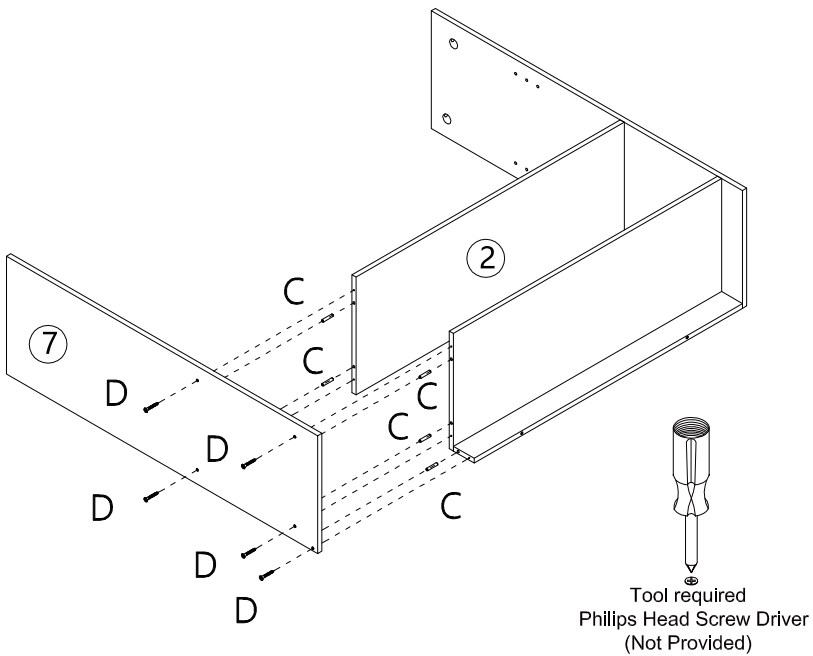
STEP 2:

- C x 5
- D x 5



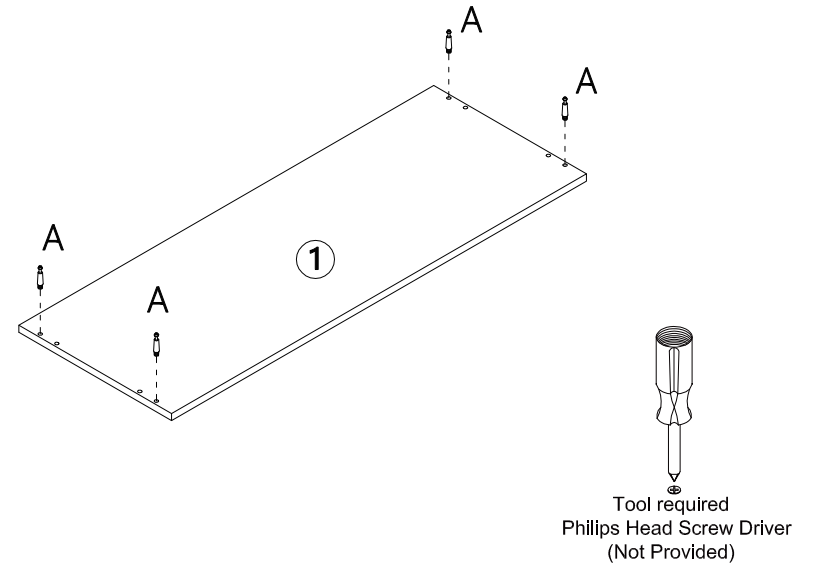
STEP 3:

- C x 5
- D x 5





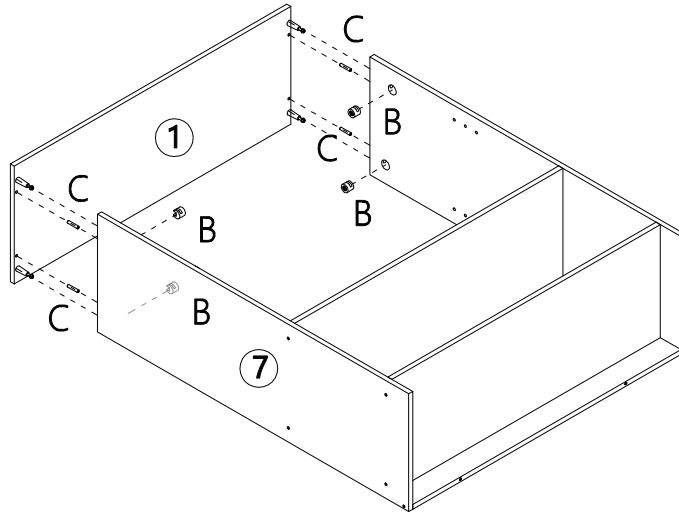
STEP 4:

- A x 4





STEP 5:

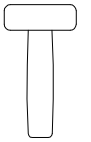
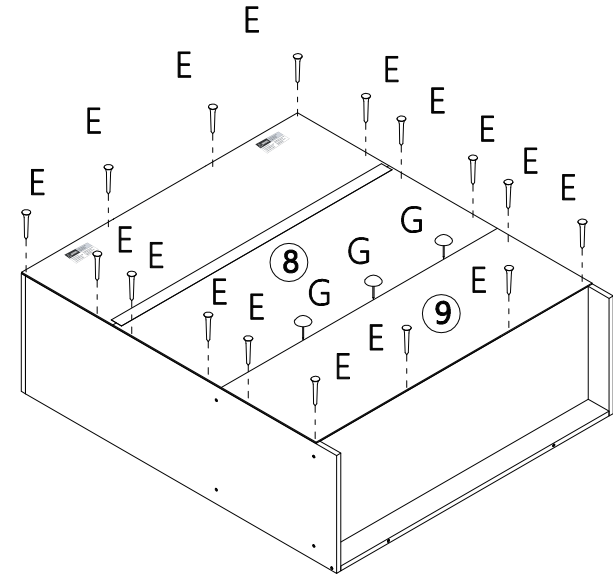
-  B x 4
-  C x 4



Tool required
Phillips Head Screw Driver
(Not Provided)

STEP 6:

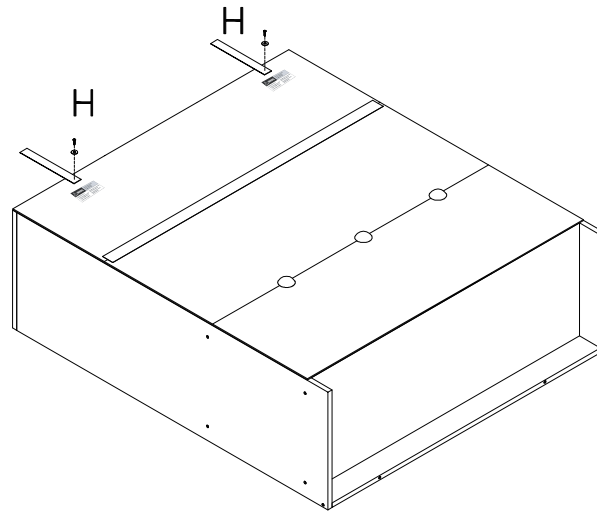
-  E x 16
-  G x 3



Tool required
(Not Provided)

STEP 7:

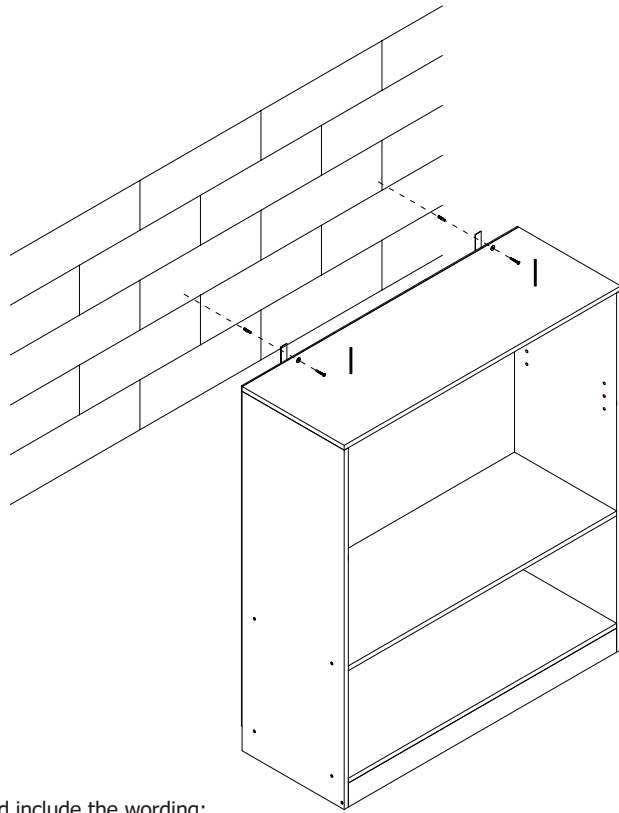
-  H x 2



Tool required
Phillips Head Screw Driver
(Not Provided)

STEP 8:

 1 x 2



User instructions should include the wording:

- **It is strongly recommended that this product is permanently fixed to the wall.**
- **Please seek professional advice if you are in doubt of what fixing device to use.**
- **Regularly check that anchors are securely maintained.**
- **Stability of tall items may be affected by thick pile carpet or uneven floors .**
- **Do not place unanchored televisions on furniture .**

CAUTION: for your safety when attaching the anchor fixings, please note the following:

- **Check any electrical wires or plumbing inside the wall before drilling any holes (if you are unsure please seek professional advice from a qualified tradesperson).**




Tool required
Philips Head Screw Driver
(Not Provided)

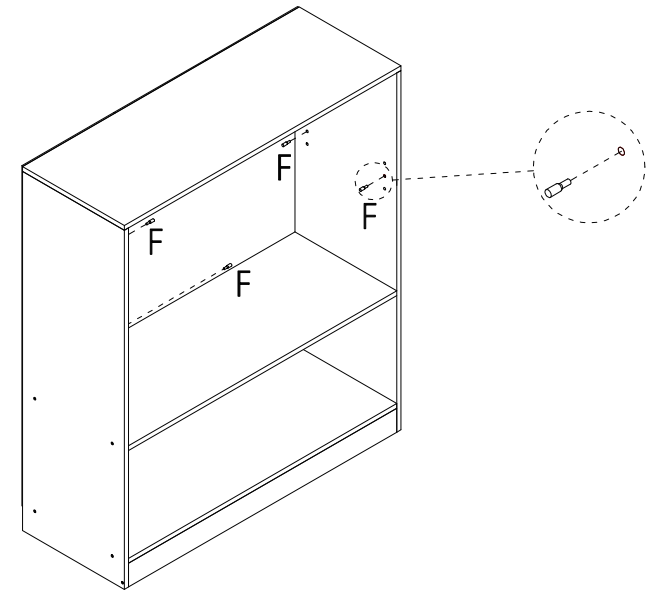


WARNING: PLEASE SECURE YOUR FURNITURE WITH THE SUPPLIED WALL FIXING. SCAN THE CODE FOR MORE INFORMATION.



STEP 9:

 F x 4



STEP 10:

 J x 14

