


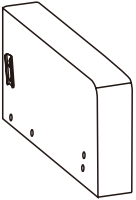

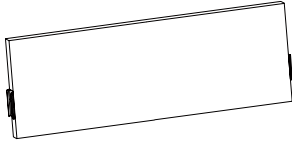
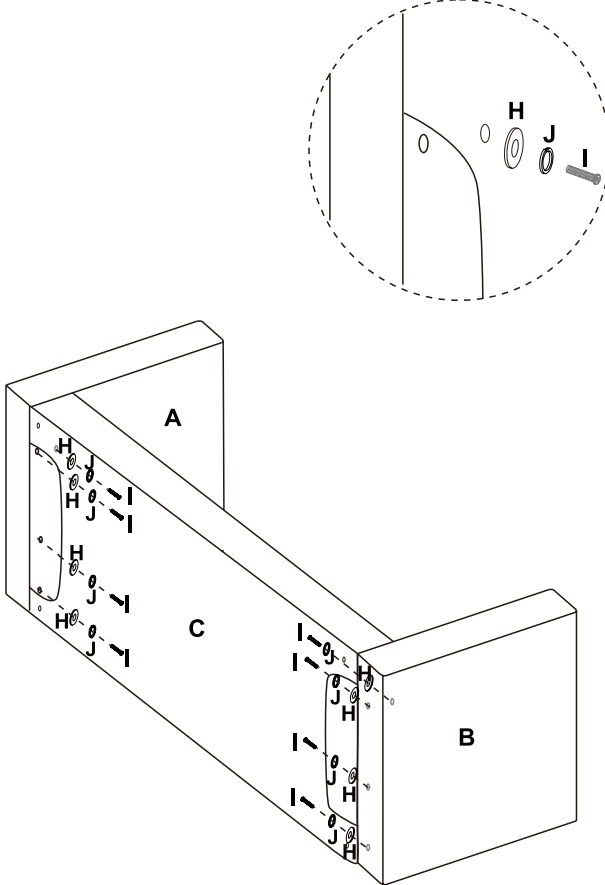
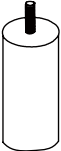
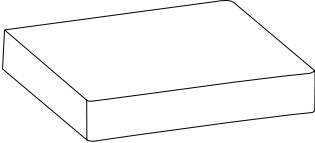
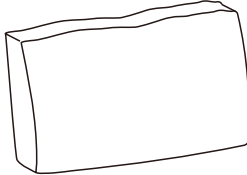

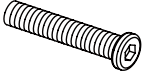
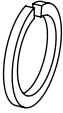

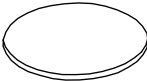

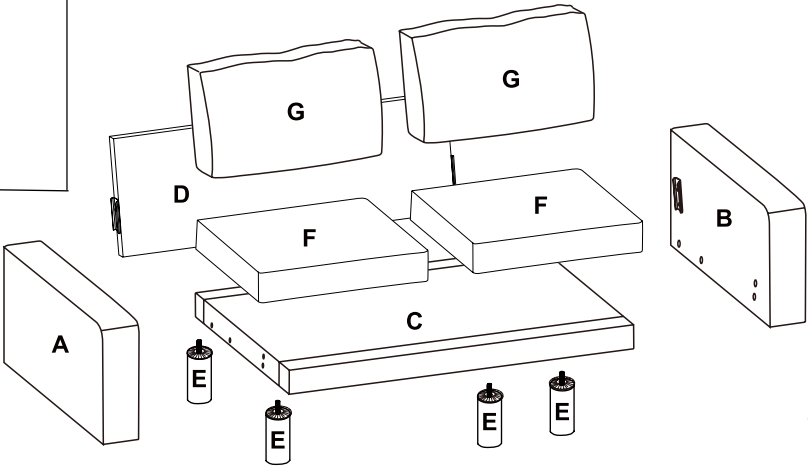
# Assembly Instructions

## 4333493 BOSTON 2 SEATER SOFA

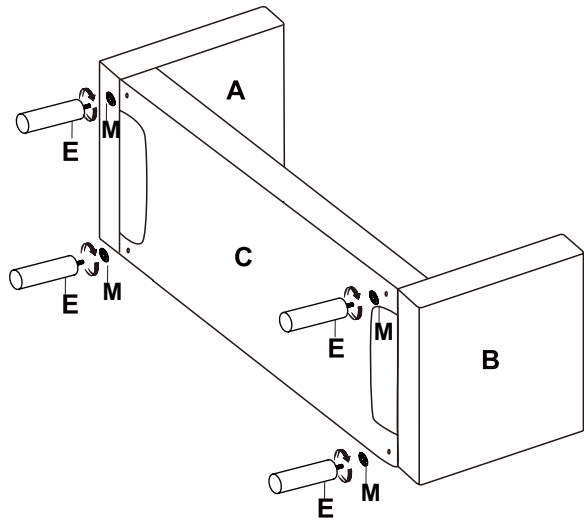
**CARE INSTRUCTIONS:** WIPE CLEAN WITH A SOFT DAMP CLOTH. DO NOT USE ABRASIVE MATERIAL AND SOLVENTS. SPOT CLEAN IF NEEDED. STORE IN A DRY PLACE. CHECK AND TIGHTEN ALL PARTS REGULARLY. FOR INDOOR AND DOMESTIC USE.

**WARNING:** DO NOT STAND ON THE SOFA. USE ONLY ON A FLAT SURFACE. DO NOT USE UNTIL ALL SCREW, SBOLTS AND KNOBS ARE FIRMLY SECURED. ADULT ASSEMBLY REQUIRED. FAILURE TO FOLLOW THESE WARNINGS COULD RESULT IN SERIOUS INJURY.

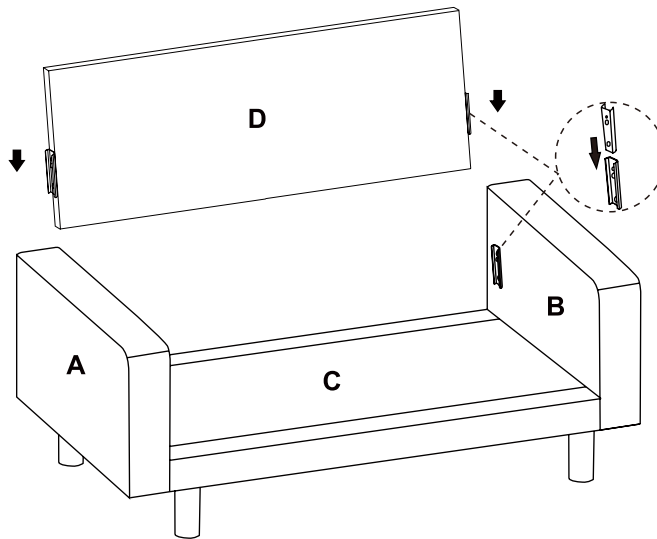
**MAXIMUM SAFE LOAD: 200KG.**

<p><b>Ax1</b></p> 	<p><b>Bx1</b></p> 	<p><b>Cx1</b></p> 	<p><b>Dx1</b></p> 	<p><b>STEP 1</b></p> 							
<p><b>Ex4</b></p> 	<p><b>Fx2</b></p> 	<p><b>Gx2</b></p> 	<p><b>Hx8</b></p> 			<p>Do not tighten the screws fully during assembly. Fully tighten screws after the final assembly steps</p>					
<p><b>Ix8</b></p>  <p>M6x55mm</p>	<p><b>Jx8</b></p> 	<p><b>Kx1</b></p> 	<p><b>Lx4</b></p> 					<p>Do not tighten the screws fully during assembly. Fully tighten screws after the final assembly steps</p>			
<p><b>Mx4</b></p> 										<p>Do not tighten the screws fully during assembly. Fully tighten screws after the final assembly steps</p>	
<p>Do not tighten the screws fully during assembly. Fully tighten screws after the final assembly steps</p>			<p>Do not tighten the screws fully during assembly. Fully tighten screws after the final assembly steps</p>								
<p>Do not tighten the screws fully during assembly. Fully tighten screws after the final assembly steps</p>					<p>Do not tighten the screws fully during assembly. Fully tighten screws after the final assembly steps</p>						
<p>Do not tighten the screws fully during assembly. Fully tighten screws after the final assembly steps</p>							<p>Do not tighten the screws fully during assembly. Fully tighten screws after the final assembly steps</p>				
<p>Do not tighten the screws fully during assembly. Fully tighten screws after the final assembly steps</p>									<p>Do not tighten the screws fully during assembly. Fully tighten screws after the final assembly steps</p>		

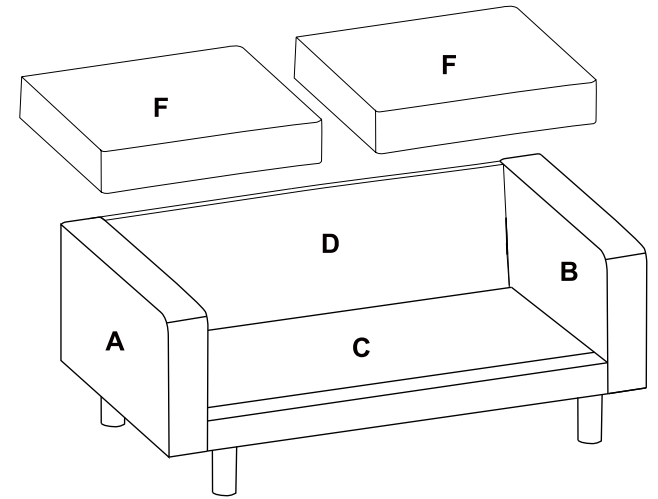
### STEP 2



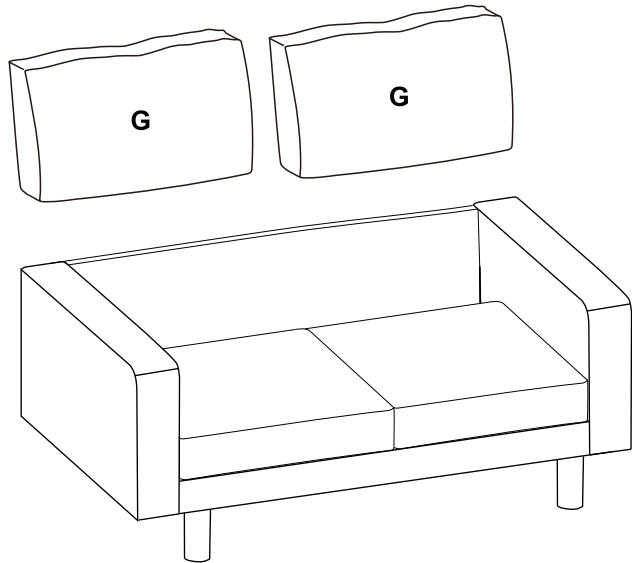
### STEP 3



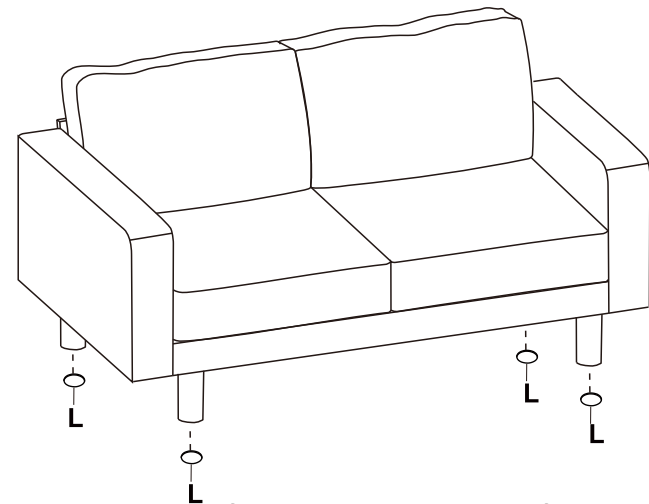
### STEP 4



### STEP 5



### STEP 6



If the chair is not smooth after assembly. please use the part L to stick on the bottom of the foot to level.