

Assembly Instructions

43333554 KARLA BEDSIDE TABLE

CARE INSTRUCTIONS:

















WIPE CLEAN WITH A SOFT DAMP CLOTH. NEVER USE SCOURERS, ABRASIVES OR CHEMICAL SOLVENTS. KEEP AWAY FROM MOISTURE AND DIRECT SUNLIGHT. STORE IN A DRY PLACE. FOR INDOOR USE ONLY.

WARNING:

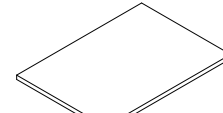
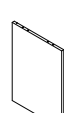
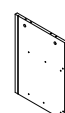
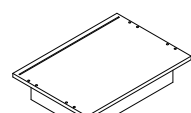
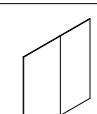

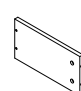
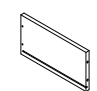
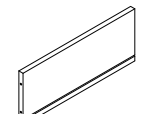
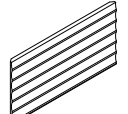
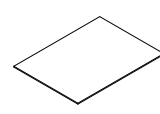
DO NOT STAND, SIT OR LEAN ON THE UNIT. DO NOT USE THIS UNIT AS A STEP LADDER. ENSURE THIS UNIT IS USED ONLY ON A FLAT SURFACE. DO NOT USE THIS UNIT UNLESS ALL BOLTS AND SCREWS ARE FIRMLY SECURED. DO NOT PLACE HOT OBJECTS SUCH AS COFFEE CUPS DIRECTLY ON THE SURFACE OF THIS FURNITURE ITEM. THIS ITEM IS FOR STORAGE PURPOSES ONLY. CONTAINS SMALL PARTS. IT IS TO BE ASSEMBLED BY AN ADULT. FAILURE TO FOLLOW THESE WARNINGS COULD RESULT IN SERIOUS INJURY.

MAXIMUM SAFE LOAD:Top: 10kg ;drawer: 5kg .

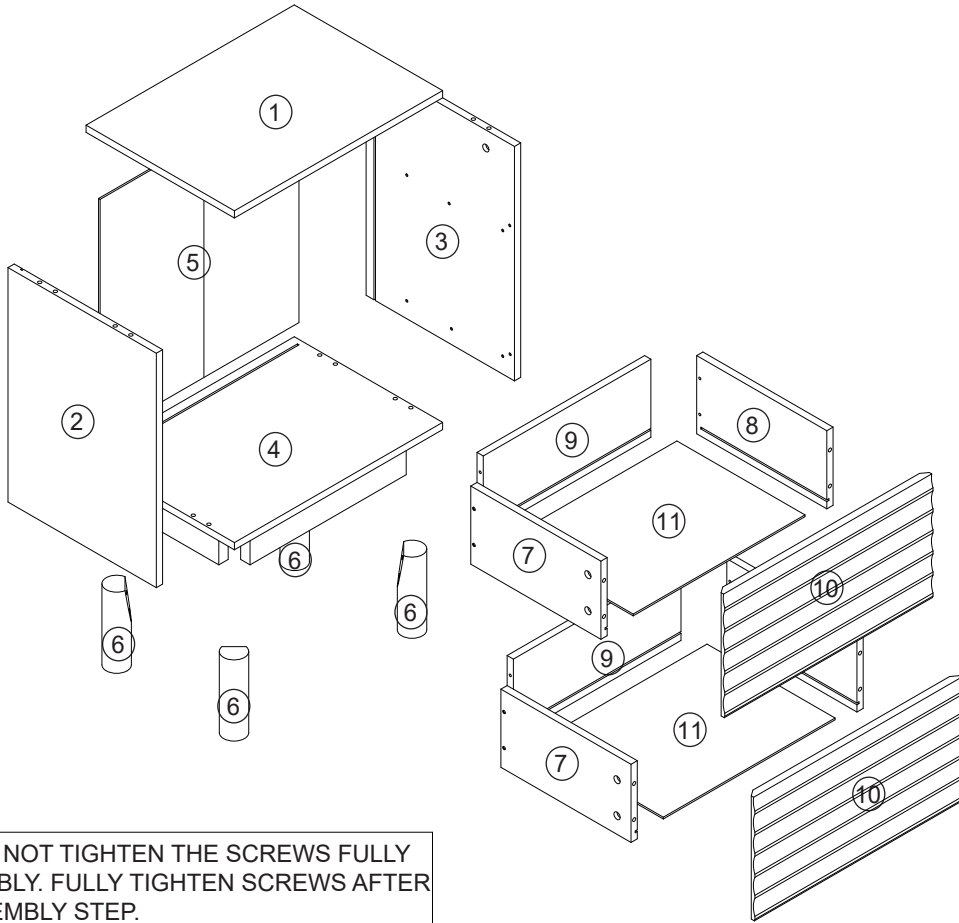
1 Hardware List

	A	6x30mm	8pcs		B	7x50mm	4pcs		C	4x30mm	8pcs
	D	6x35mm	12pcs		E	12x10mm	12pcs		F	3x12mm	32pcs
	G		2pcs		H		2pcs		I		2pcs
	J		2pcs		K		8pcs		L		8pcs
	M		8pcs		N		1pc		O		4pcs
	P		4pcs								

2 Parts List

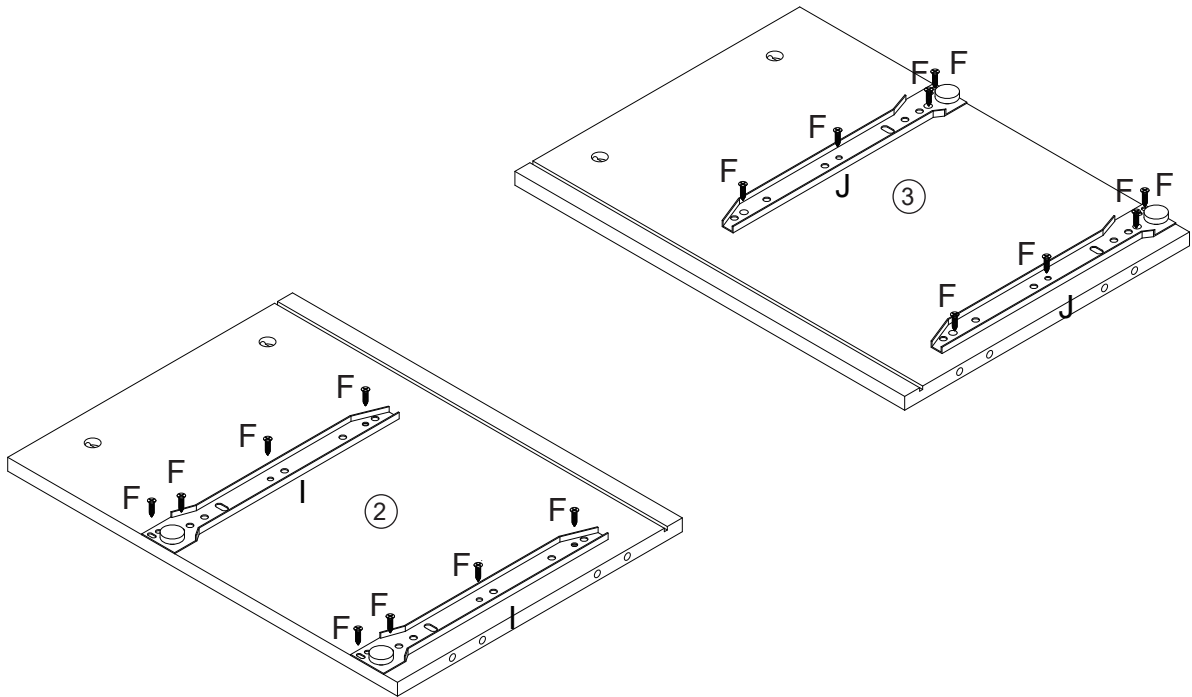
							
①	1pc	②	1pc	③	1pc	④	1pc
							
⑤	1pc	⑥	4pcs	⑦	2pcs	⑧	2pcs
							
⑨	2pcs	⑩	2pcs	⑪	2pcs		

3

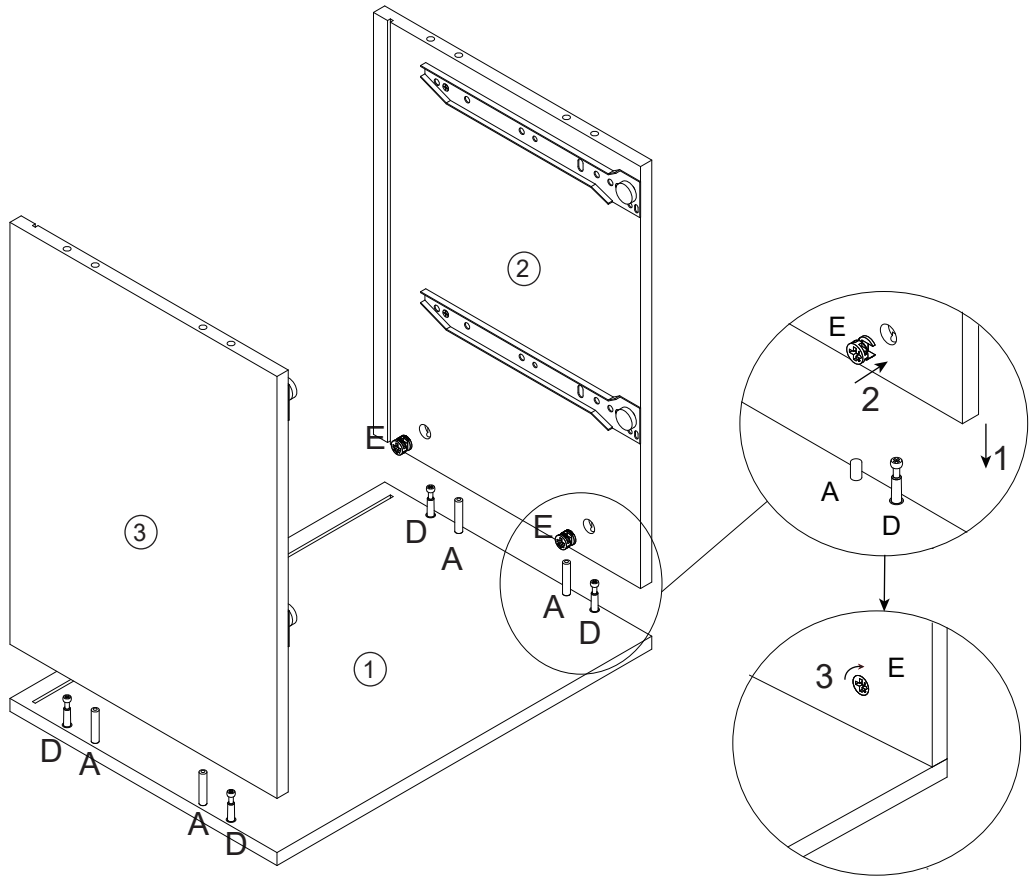


ATTENTION: DO NOT TIGHTEN THE SCREWS FULLY DURING ASSEMBLY. FULLY TIGHTEN SCREWS AFTER THE FINAL ASSEMBLY STEP.

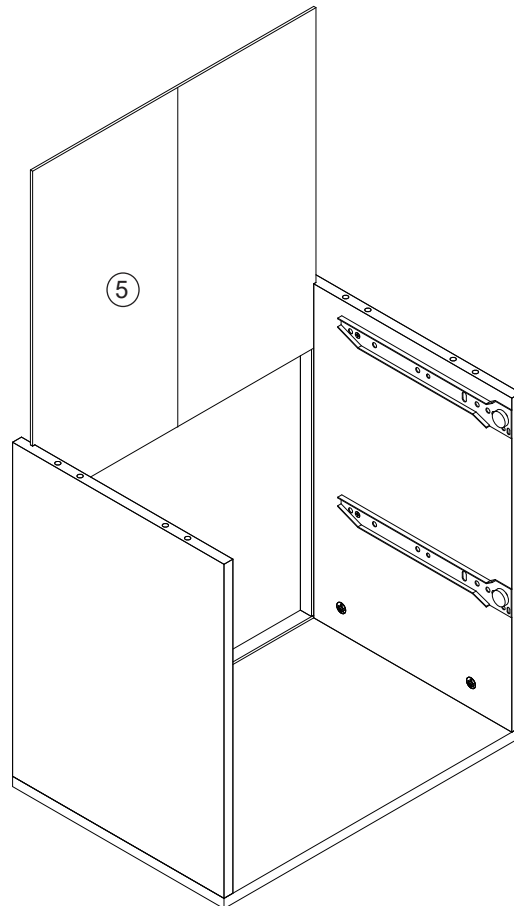
STEP 1 F -  x 16 I -  x 2 J -  x 2





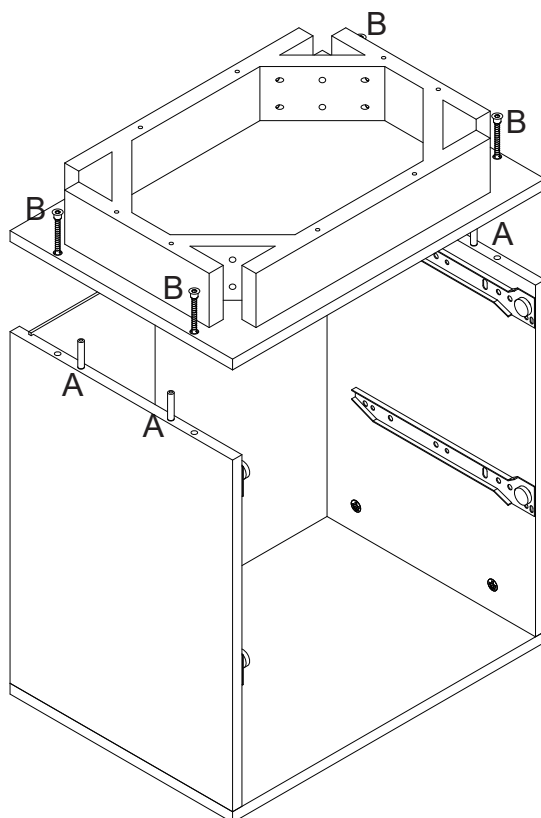
STEP 2 A -  x4 D -  x4 E -  x4







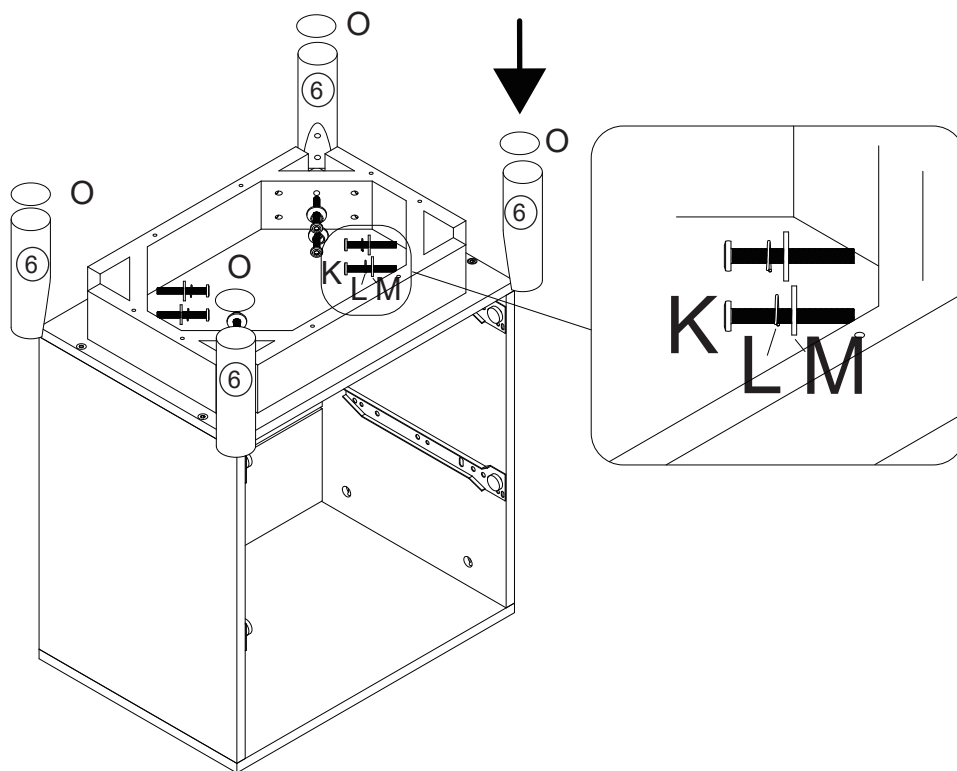
STEP 3









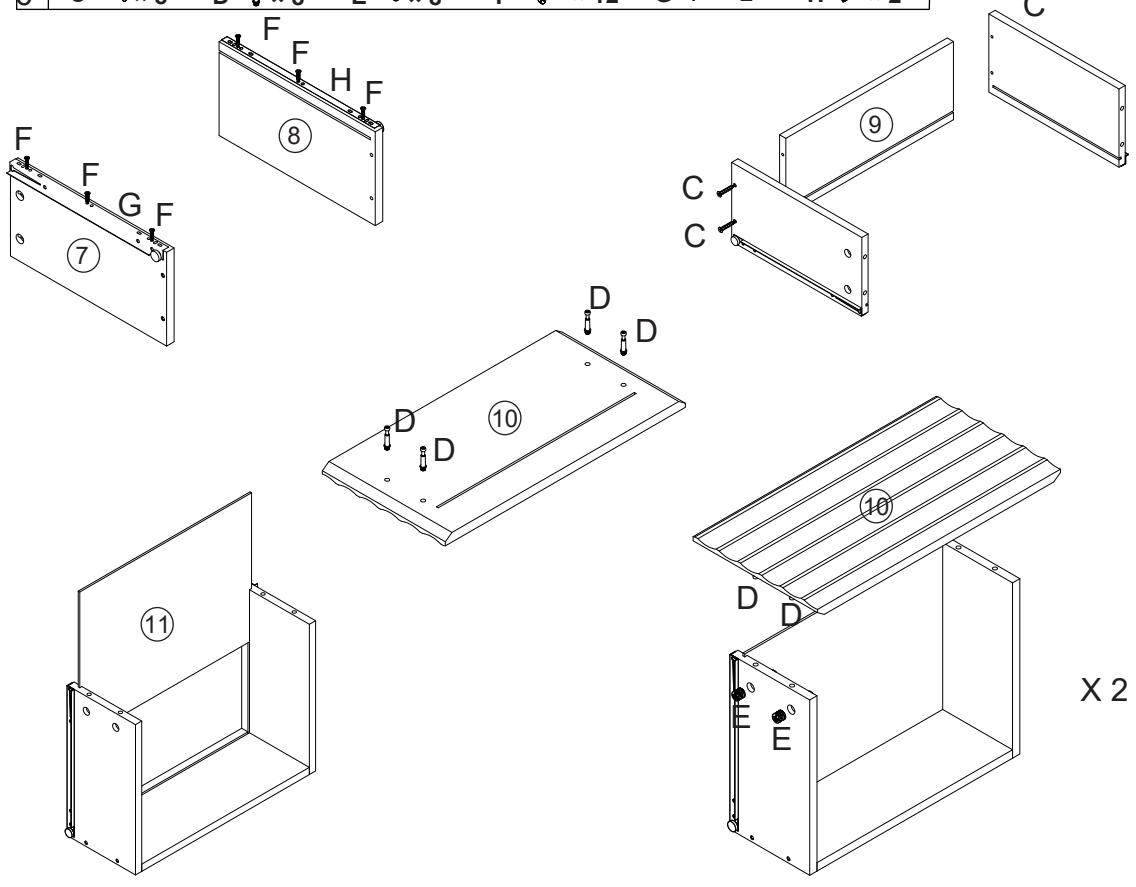
STEP 4 A -  x 4 B -  x 4



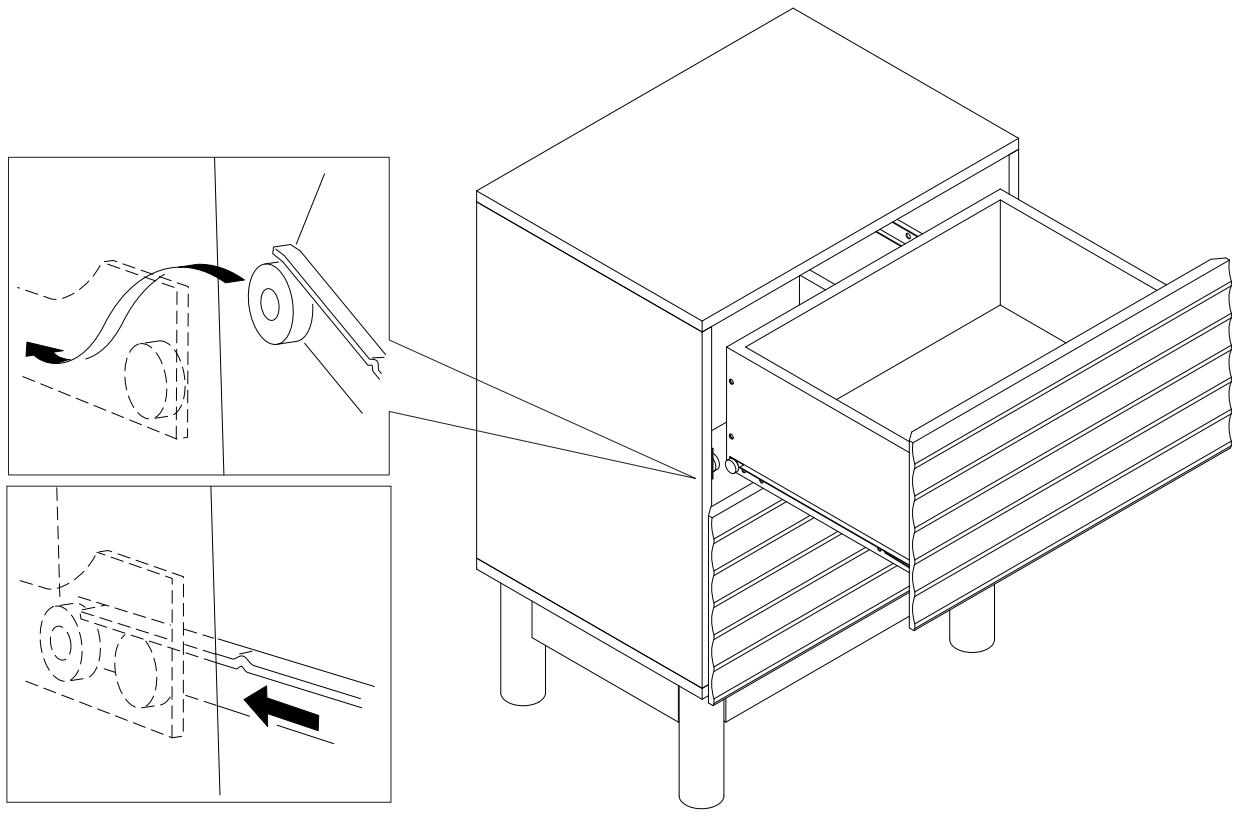
STEP 5 K -  x 4 L -  x 4 M -  x 4 O -  x 4

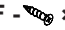
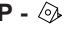


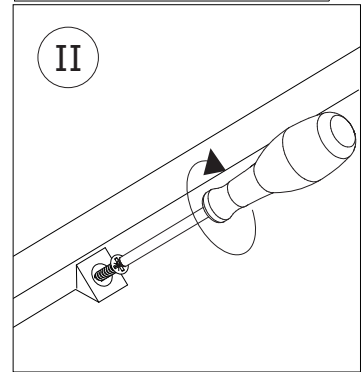
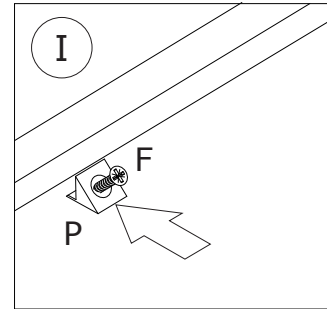
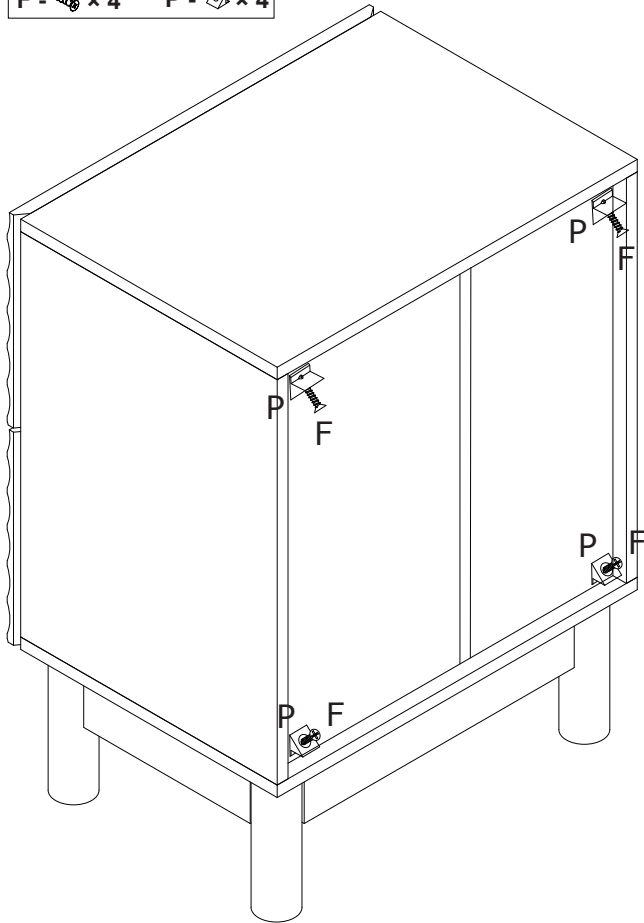
STEP 6 C -  x 8 D -  x 8 E -  x 8 F -  x 12 G -  x 2 H -  x 2



STEP 7



STEP 8  x 4  x 4



STEP 9

