

Assembly Instructions

K: 43335435 /T:68781101 5PK FLOATING SHELVES

Please read instructions carefully. Be sure you have all parts before you begin to assemble. Assemble furniture on a clean, flat surface such as carpet to avoid scratching.

Attention:

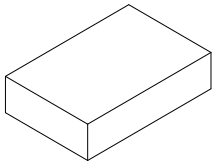
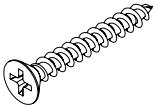
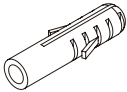
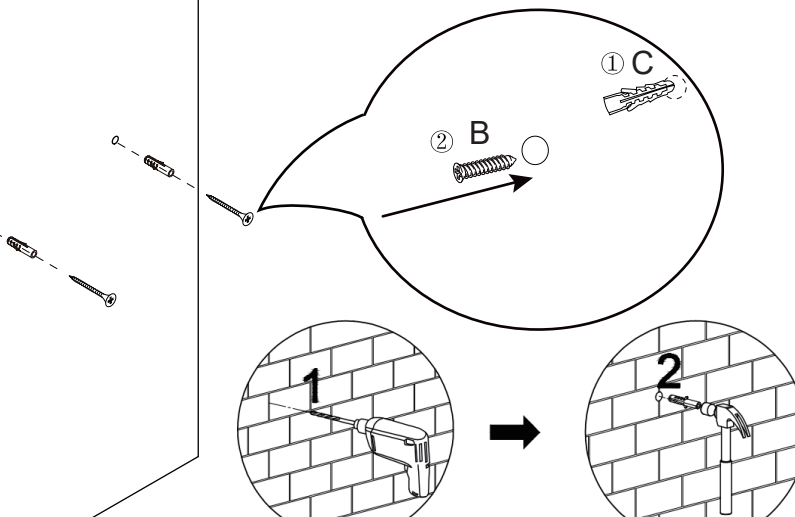
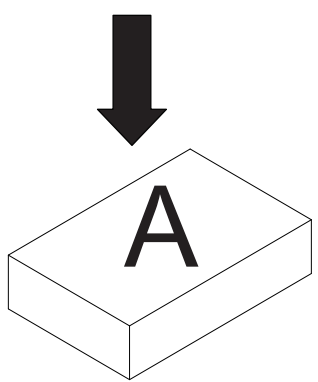
- To ensure easy assembly we advise all fittings be finger tightened during the initial assembly.
- Once the product is assembled all fittings should be fully tightened.
- We recommend a periodic check on all fixing points to make sure they remain fully tightened.
- Do not tighten the screws before all screws are in place.

This package contains small parts and sharp points, keep away from children and babies until assembly is complete.

Max safe load limit: 3kg FOR LARGE, 2kg FOR MEDIUM, 1kg FOR SMALL.

Maintenance:

Wipe clean with a soft damp or dry cloth. Never clean with chemical cleaners.

<p>A. x5=1 Set</p> 	<p>B. 3.5 x 30x11</p> 	<p>C. 6 x 30x11</p> 
<div style="display: flex; justify-content: space-between;"> <div style="width: 45%;"> <p>1</p>  <p style="text-align: center;">Take the iron frame A out of B and install it on the wall.</p> </div> <div style="width: 45%;"> <p>2</p>  </div> </div>		
