

# Assembly Instructions









K: 43-335-459 | T: 68-727-253 LAUNDRY CABINET WIRE

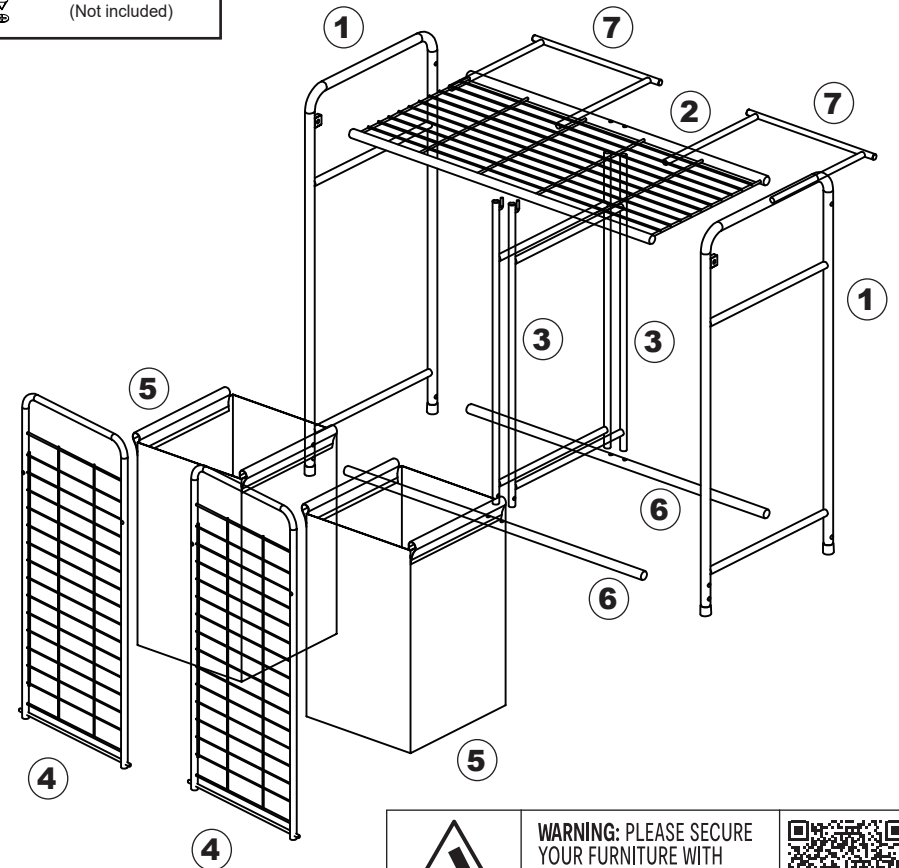
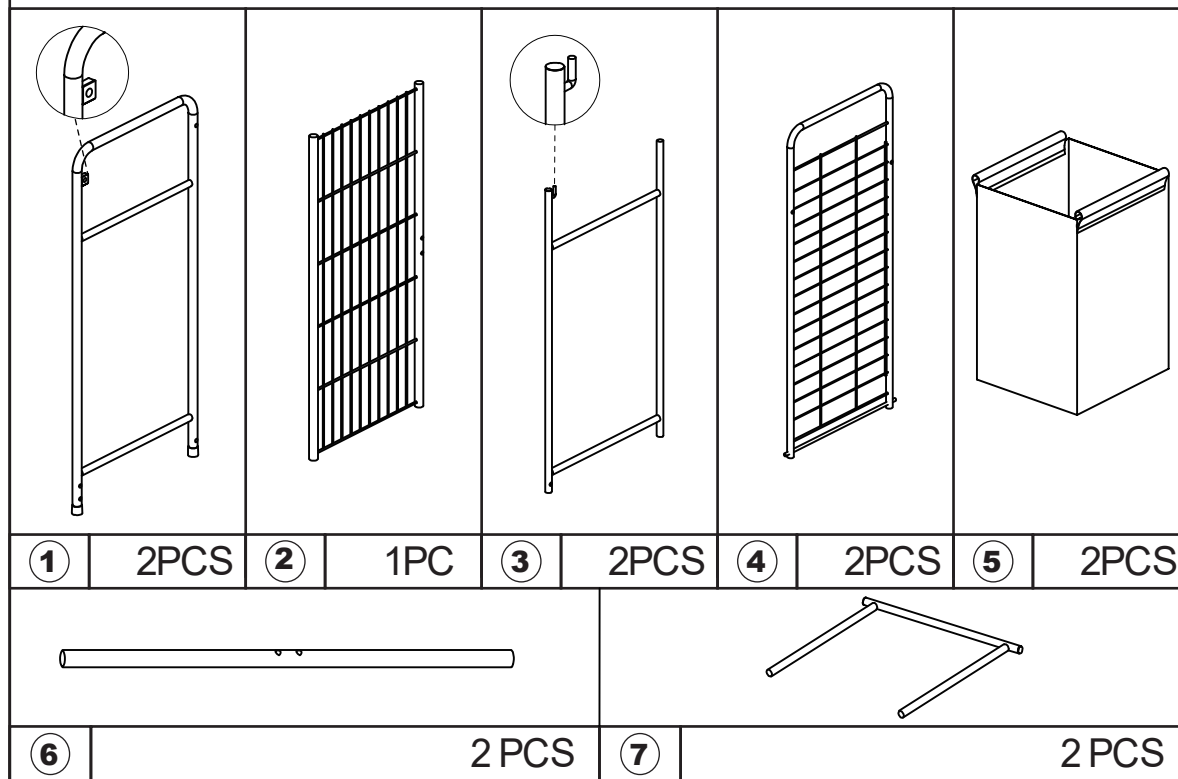
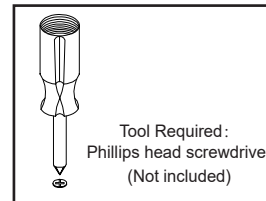
## CARE INSTRUCTIONS:

WIPE CLEAN WITH A SOFT DRY OR DAMP CLOTH.

**WARNING:** THIS PRODUCT MUST BE ATTACHED TO THE WALL TO HELP PREVENT TOPPLING OVER. DO NOT STAND OR SIT ON THE UNIT. DO NOT LEAN ON THE PRODUCT. DO NOT DRAG THE PRODUCT. USE ONLY ON A FLAT SURFACE. DO NOT USE UNTIL ALL SCREWS, BOLTS AND KNOBS ARE FIRMLY SECURED. THIS PRODUCT CONTAINS SMALL PARTS AND SHARP POINTS, KEEP AWAY FROM CHILDREN AND BABIES. ADULT ASSEMBLY REQUIRED. FAILURE TO FOLLOW THESE WARNINGS COULD RESULT IN SERIOUS INJURY. MAXIMUM TOTAL LOADING WEIGHT: 15KG (5KG FOR THE TOP SHELF AND EACH HAMPER).

### Hardware list

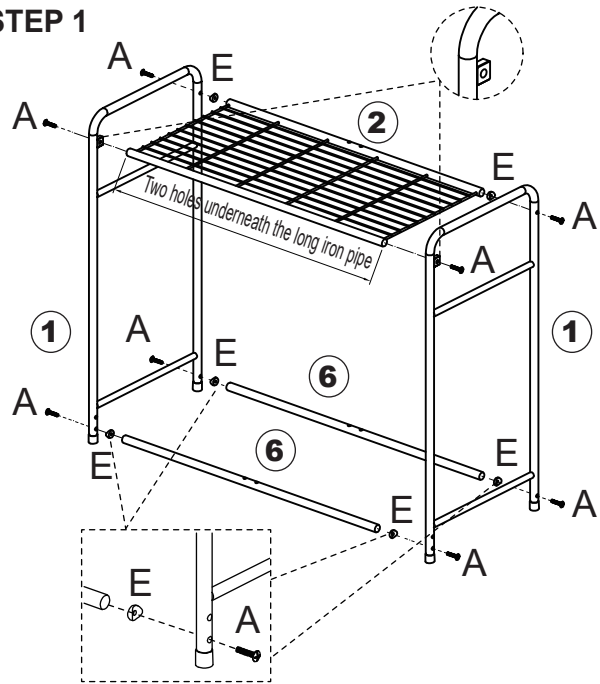
	A	Screw	18 PCS		E	Washers Dia16mm	12 PCS
	B	Screw	1 PC		F	Washers Dia12mm	4 PCS
	C	Wall Plug	1 PC		G	Strap	1 PC
	D	Washers	4 PCS		H	Washers	1 PC



**WARNING:** PLEASE SECURE YOUR FURNITURE WITH THE SUPPLIED WALL FIXING. SCAN THE CODE FOR MORE INFORMATION.

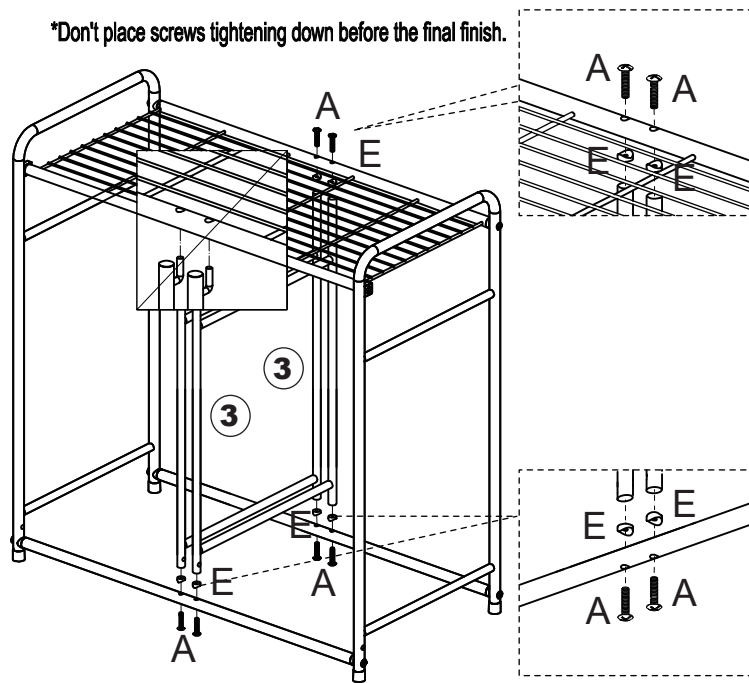


**STEP 1**

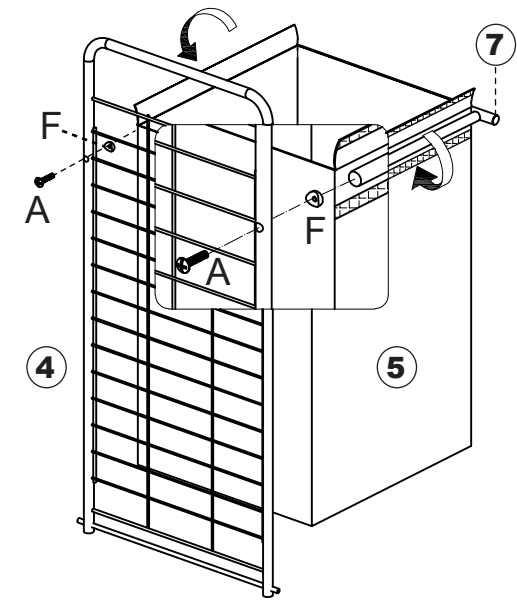


**STEP 2**

\*Don't place screws tightening down before the final finish.

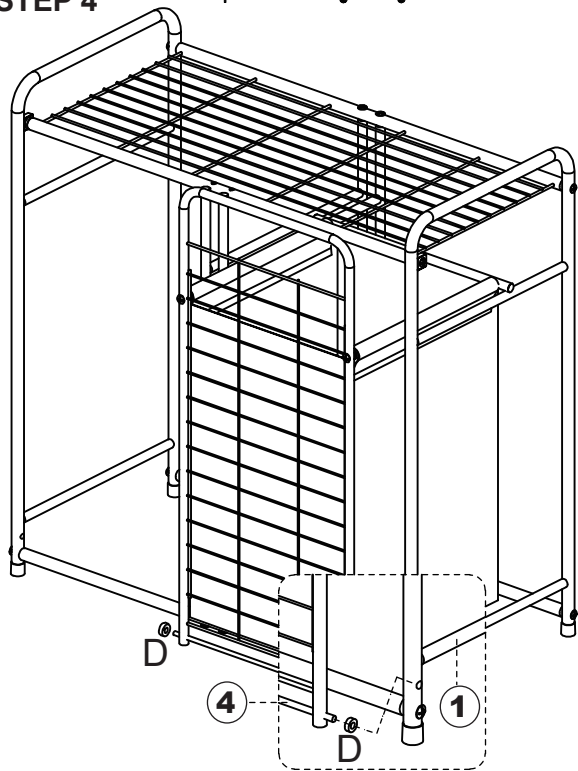


**STEP 3**

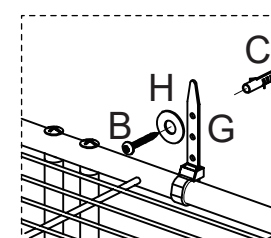
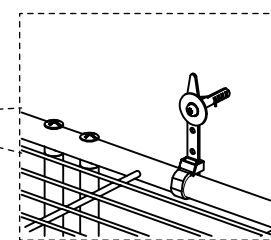
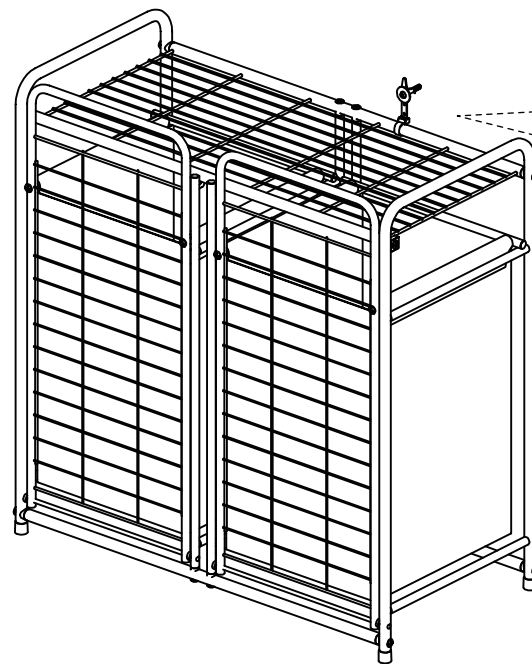


**STEP 4**

\*Don't place screws tightening down before the final finish.



**STEP 5**



**Warning:**

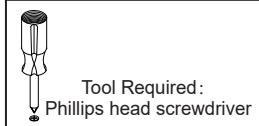
• It is strongly recommended that this product is permanent fixed to the wall.

- Please seek professional advice if you are in doubt of what fixing device to use.
- Regularly check that anchors are securely maintained.
- Stability of tall items may be affected by thick pile carpet or uneven floors.

**Caution:** for your safety when attaching the anchor fixings, please note the following:

- Check any electrical wires or plumbing inside the wall be drilling any holes

(if you are unsure please seek professional advice from a qualified tradesperson).



**WARNING:** PLEASE SECURE YOUR FURNITURE WITH THE SUPPLIED WALL FIXING. SCAN THE CODE FOR MORE INFORMATION.

