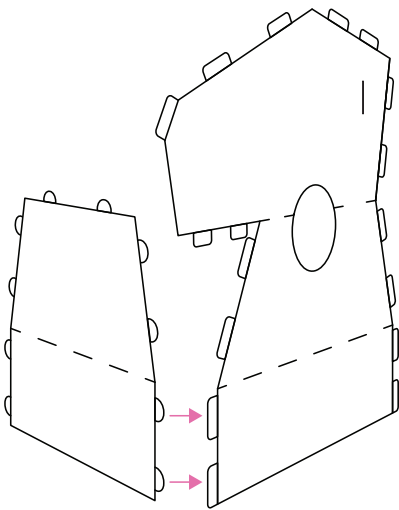
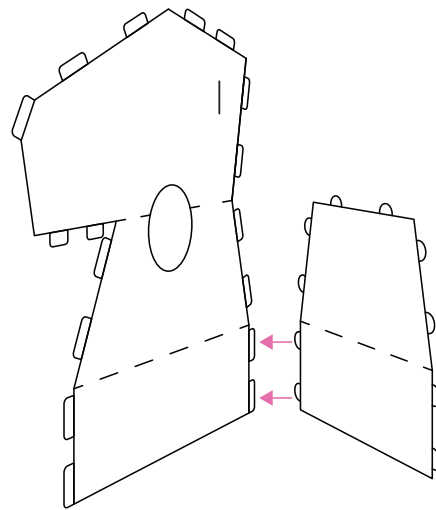


CRAFT

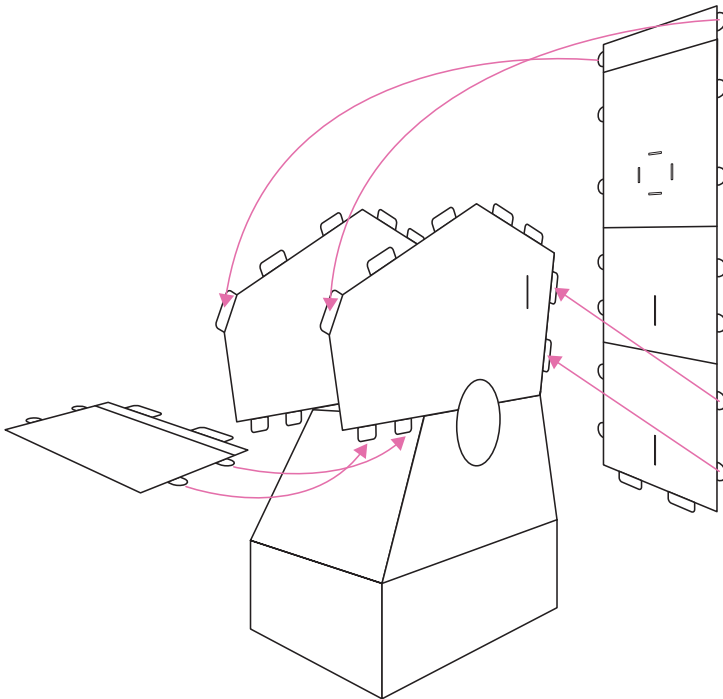
Make Your Own Unicorn Costume



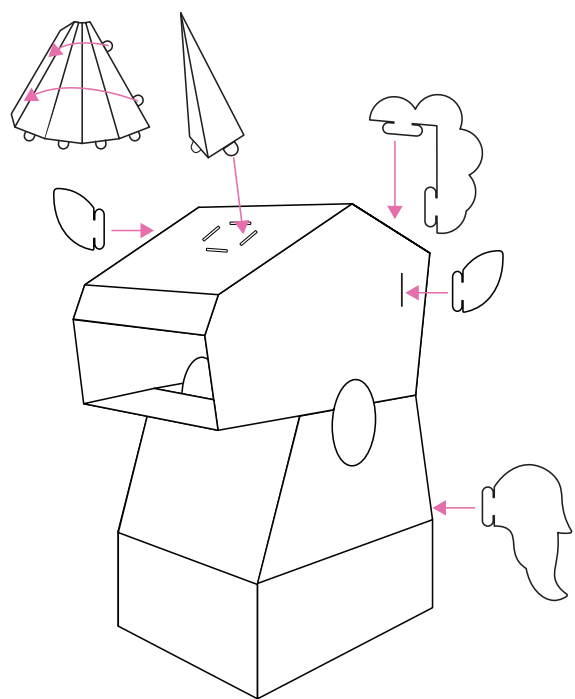
1 Attach the front of the body to the left side by inserting the tabs into the slots. Then repeat this with the right side on the opposite side of the front panel.



2 Attach the back panel to the left and right sides of the body like you did in step 1.



3 Use the tabs to join the mouth piece to the under section of the head and body. Then join the head section to the top of the back and both sides wrapping over the top of the head finishing at the nose.



4 Finish the unicorn costume by putting the tabs of the ears, mane & tail in the slots. Create the horn by folding it up into a point then inserting it in the slots on the top of the head.