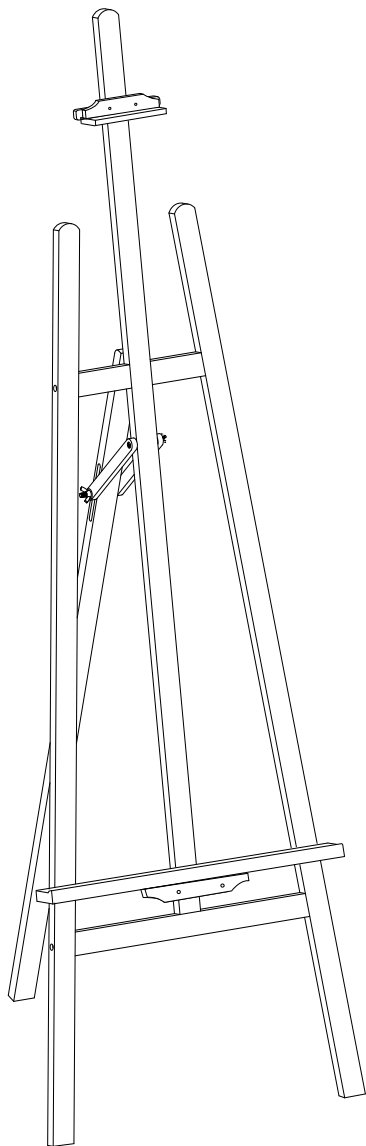


# Lyre Easel

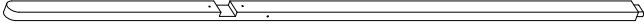
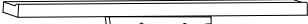
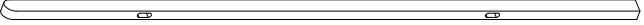

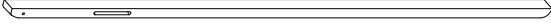


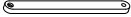

## Instruction Manual



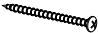



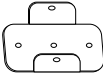



**Important** – Please read these instructions fully before assembly or use

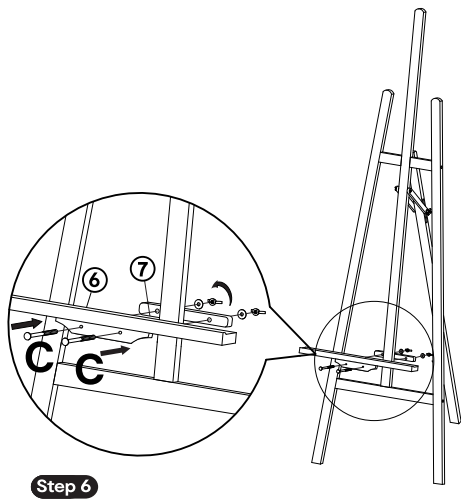
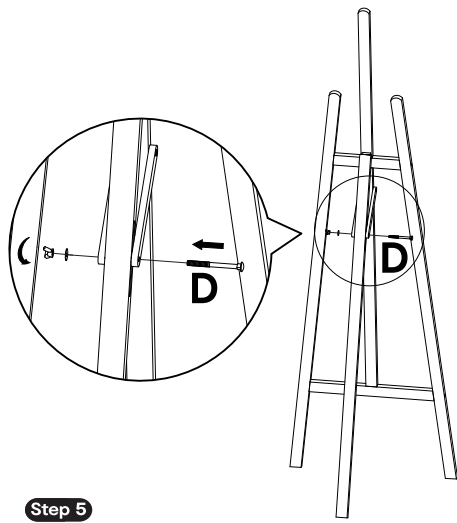
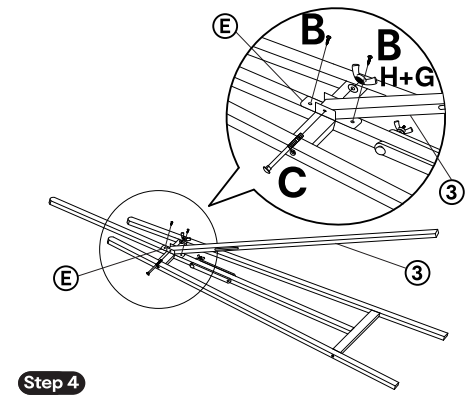
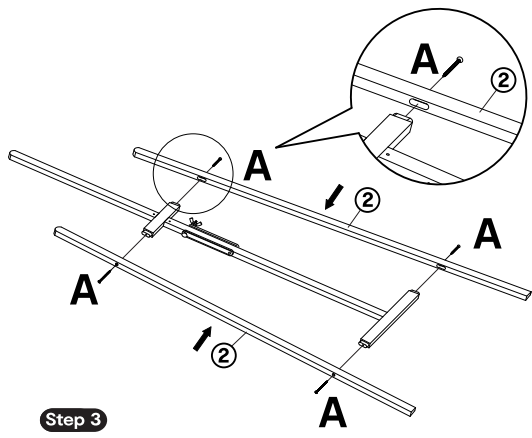
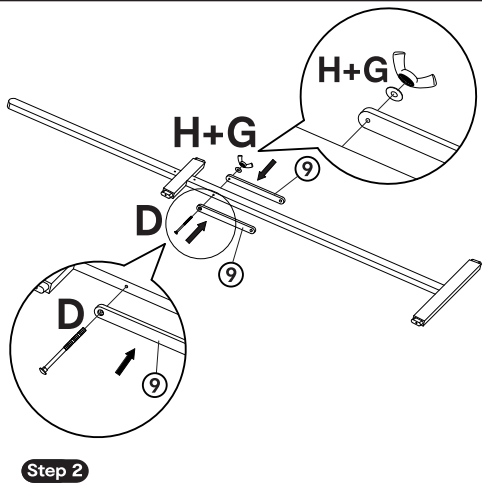
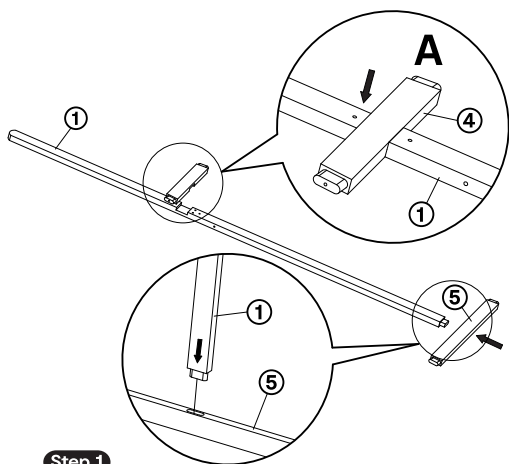
- › Adult assembly required. Cross screwdriver required.
- › Adult supervision advised when item is in use.
- › This item must be used on flat surface. **DO NOT** use on an uneven surface.
- › Do not use the item if any part is broken, torn or missing.

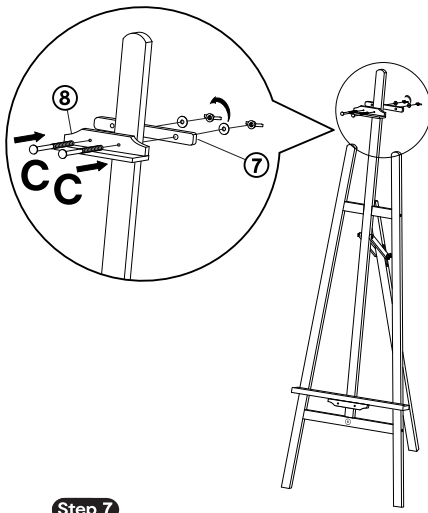
## COMPONENTS

 <p>① 1pc</p>	 <p>⑥ 1pc</p>
 <p>② 2pcs</p>	 <p>⑦ 2pcs</p>
 <p>③ 1pc</p>	 <p>⑧ 1pc</p>
 <p>④ 1pc</p>	 <p>⑨ 2pcs</p>
 <p>⑤ 1pc</p>	

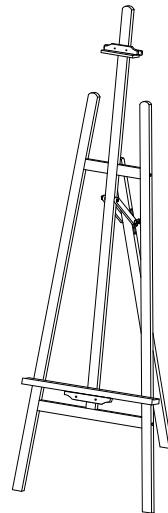
## HARDWARE

 <p>A*4pcs</p>	 <p>B*3pcs</p>	 <p>C*5pcs</p>	 <p>D*2pcs</p>
 <p>E*1pc</p>	 <p>F*1pc</p>	 <p>G*7pcs</p>	 <p>H*7pcs</p>





**Step 7**



**Step 8**

## CARE AND MAINTENANCE

- › The easel is intended for indoor use only.
- › Wipe with a slightly damp cloth to clean.
- › Store your easel in a cool and dry place indoors.
- › Allow air to ventilate, to avoid moisture and mould.
- › Periodically check and secure all fittings before use.