

Assembly Instructions

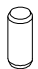


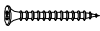
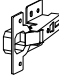





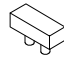



43351275 BLAKE BEDSIDE TABLE

CARE INSTRUCTIONS : WIPE CLEAN WITH A SOFT DAMP CLOTH. NEVER USE SCOURERS, ABRASIVES OR CHEMICAL SOLVENTS. KEEP AWAY FROM MOISTURE AND DIRECT SUNLIGHT. STORE IN A DRY PLACE. FOR INDOOR USE ONLY.

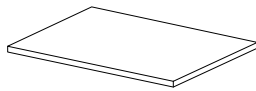

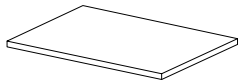
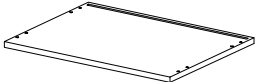
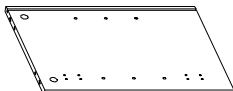



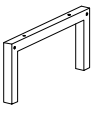
WARNING: DO NOT STAND, SIT OR LEAN ON THE UNIT. DO NOT USE THIS UNIT AS A STEP LADDER. ENSURE THIS UNIT IS USED ONLY ON A FLAT SURFACE. DO NOT USE THIS UNIT UNLESS ALL BOLTS AND SCREWS ARE FIRMLY SECURED. DO NOT PLACE HOT OBJECTS SUCH AS COFFEE CUPS DIRECTLY ON THE SURFACE OF THIS FURNITURE ITEM. THIS ITEM IS FOR STORAGE PURPOSES ONLY. CONTAINS SMALL PARTS. IT IS TO BE ASSEMBLED BY AN ADULT. FAILURE TO FOLLOW THESE WARNINGS COULD RESULT IN SERIOUS INJURY.

MAXIMUM SAFE LOAD: TOP: 10KG, SHELF:5KG.

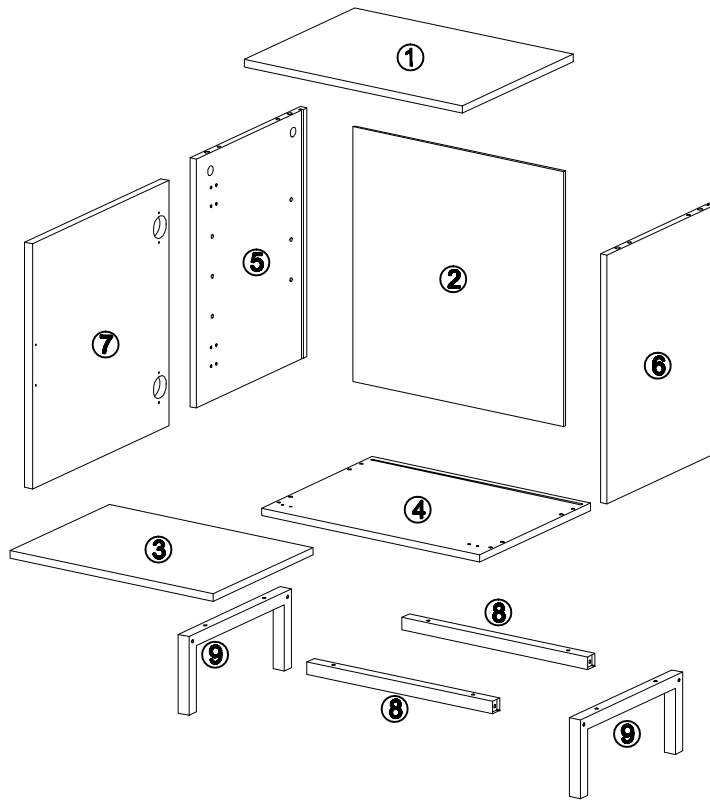
1 Hardware List

	A	$\phi 6 \times 30\text{mm}$	8pcs		B	$M6 \times 35\text{mm}$	4pcs		C	$\phi 15 \times 10\text{mm}$	4pcs
	D	$M4 \times 35\text{mm}$	4pcs		E		2pcs		F	$M3.5 \times 12\text{mm}$	16pcs
	G	M4	1pc		J	$M6 \times 28\text{mm}$	8pcs		K		1pc
	L		4pcs		M		1pcs		N	$M6 \times 35\text{mm}$	4pcs
	O	$M4 \times 12\text{mm}$	2pcs		P		4pcs				

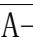
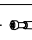

2 Parts List

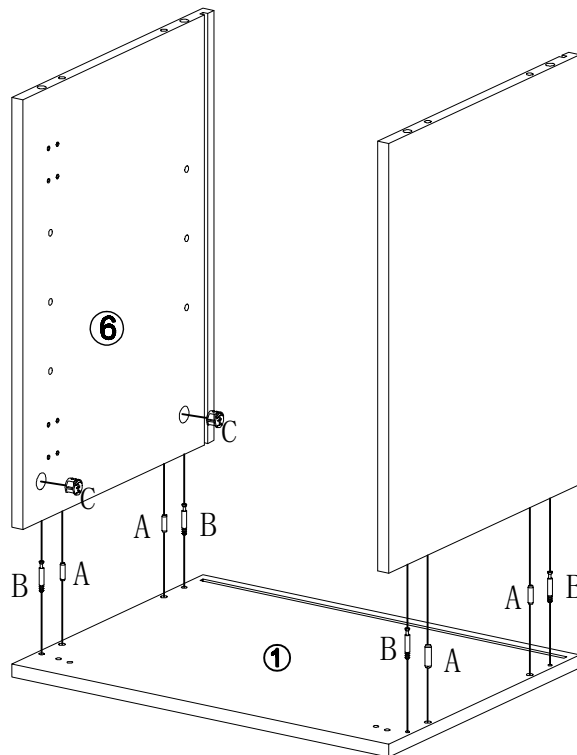
	1	1PC		2	1PC		3	1PC		4	1PC
	5	1PC		6	1PC		7	1PC		8	2PCS
	9	2PCS									

3

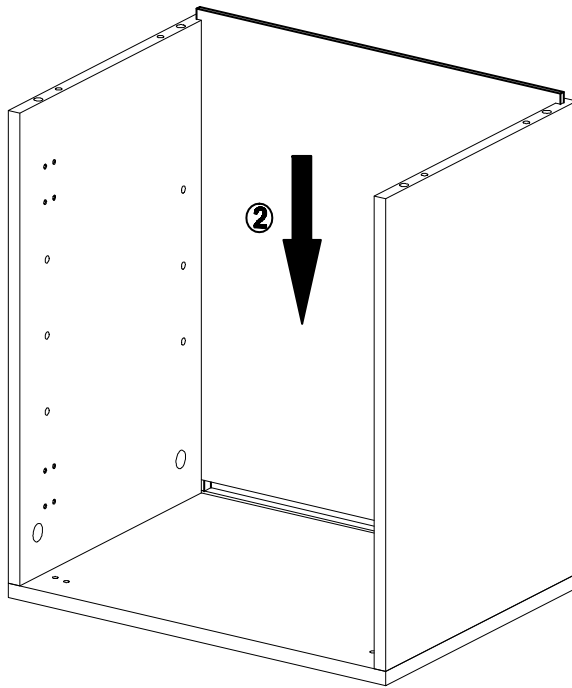


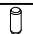
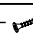
ATTENTION: DO NOT TIGHTEN THE SCREWS FULLY DURING ASSEMBLY. FULLY TIGHTEN SCREWS AFTER THE FINAL ASSEMBLY STEP.

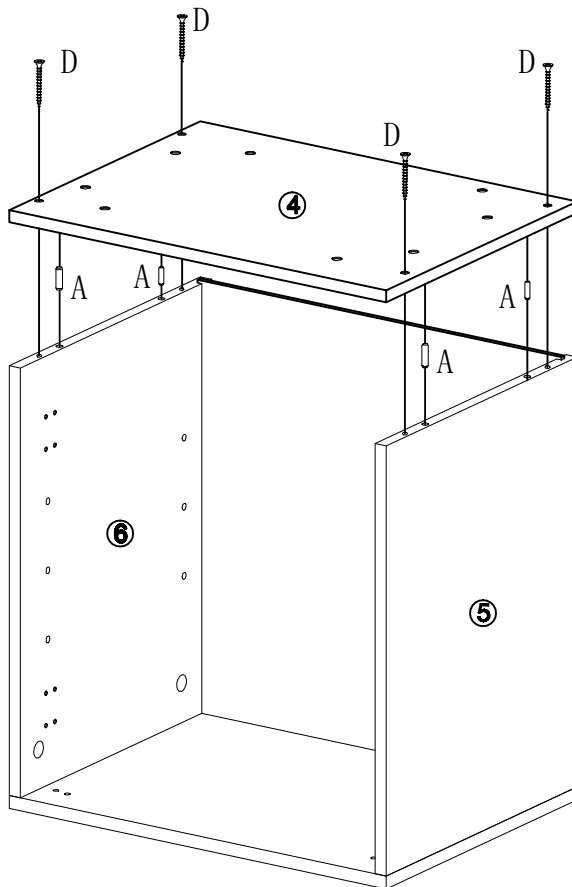
STEP 1 A-  x4 B-  x4 C-  x4





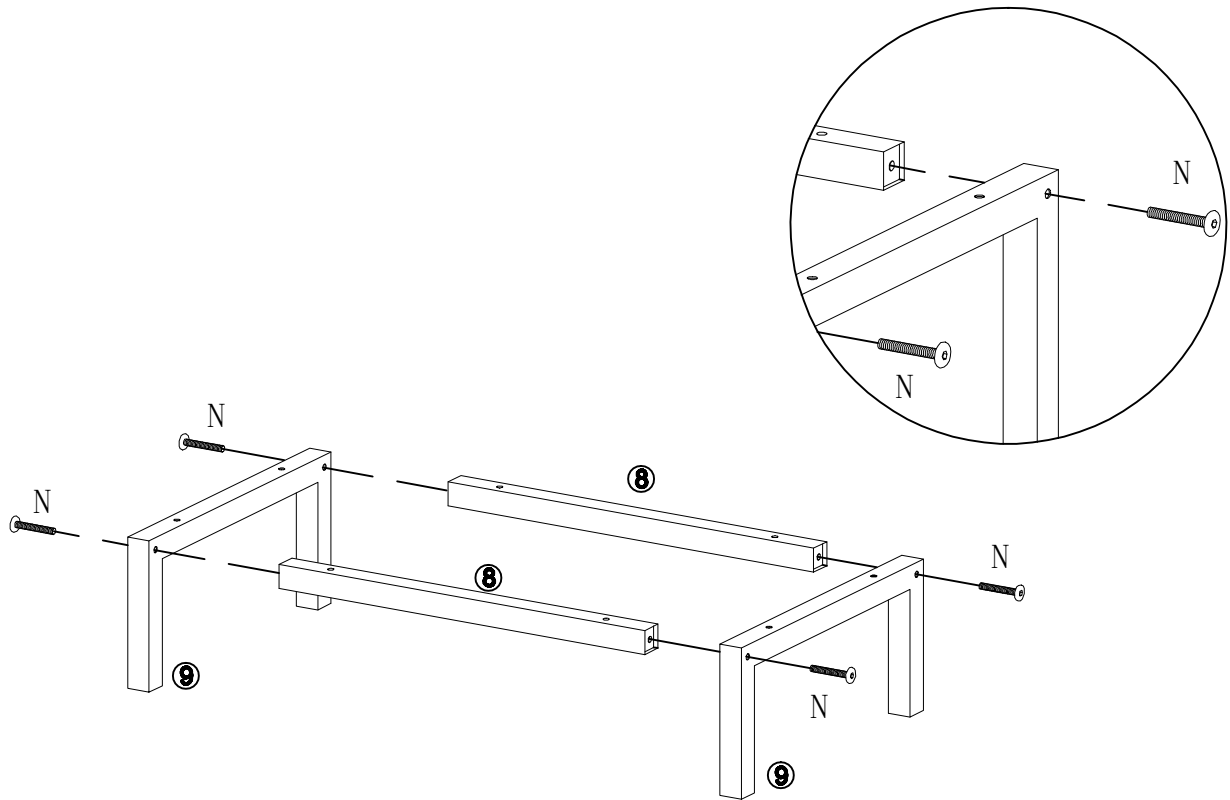
STEP 2





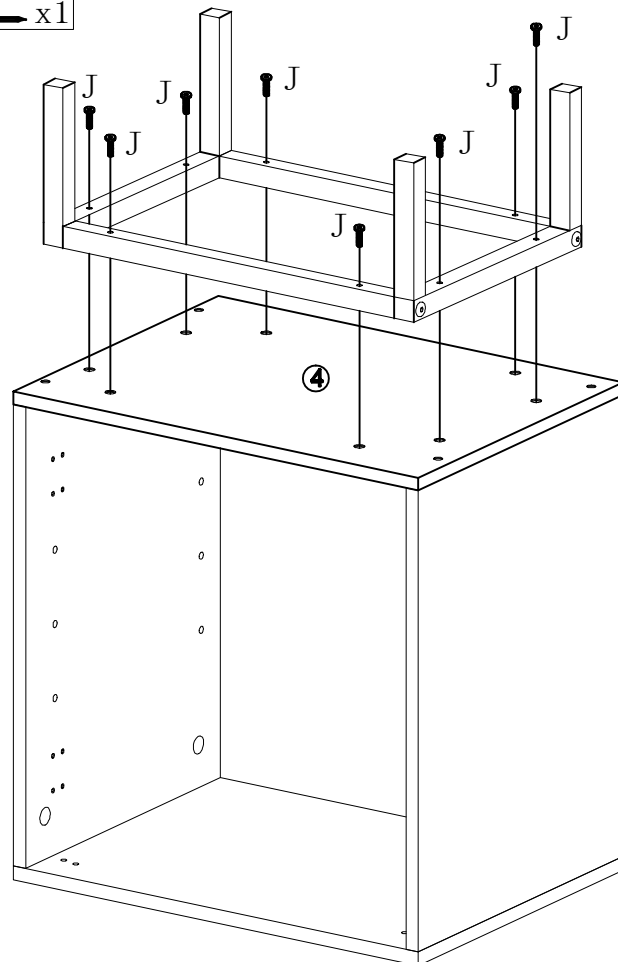
STEP 3 [A-  x4 D-  x4]







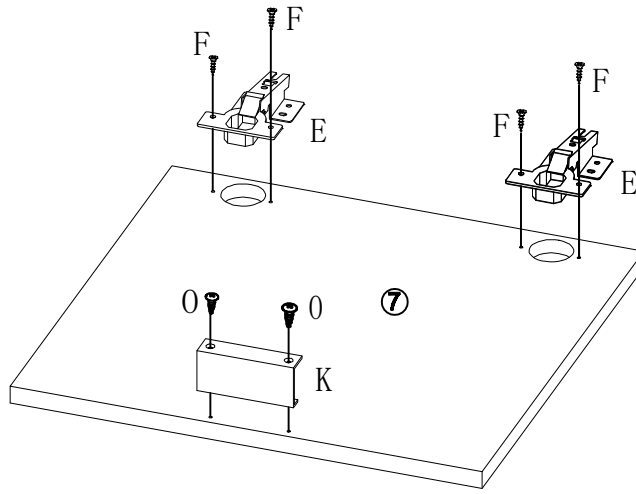
STEP 4 G-  x1 N-  x4



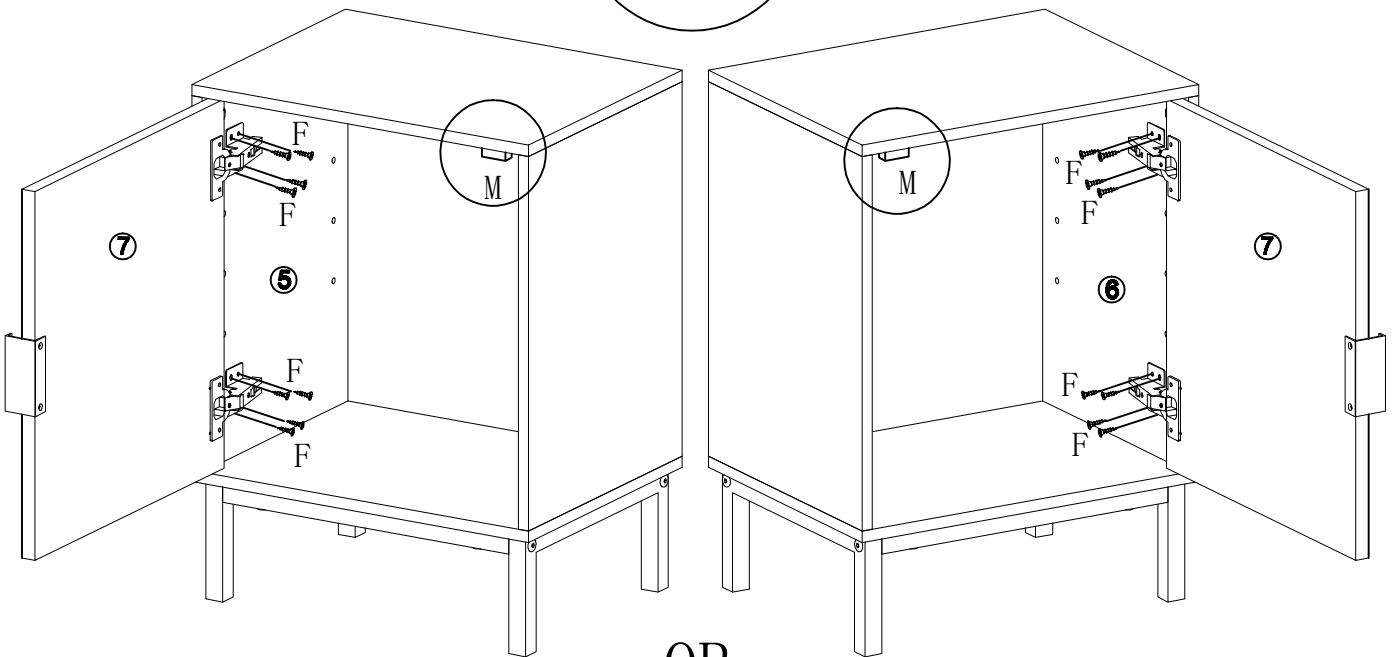
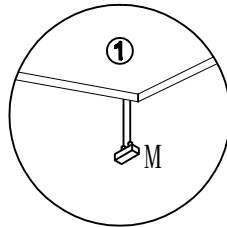
STEP 5 J-  x8 G-  x1



STEP 6 E- x2 F- x4 K- x1 O- x2



STEP 7 F- x8 M- x1

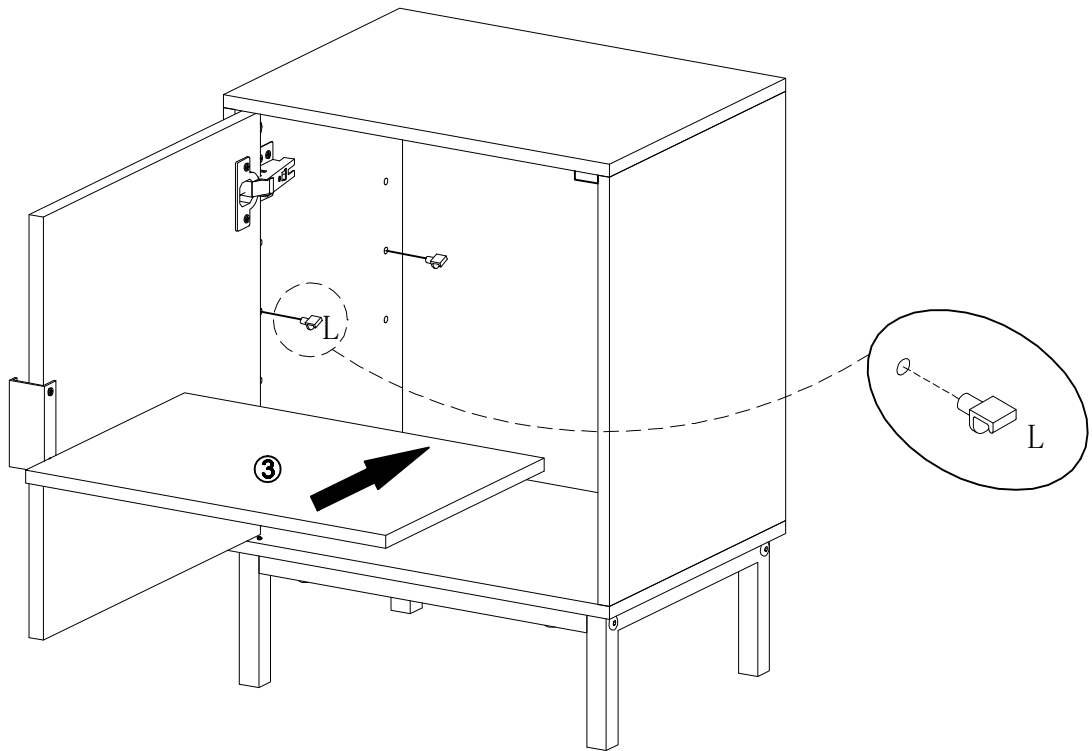




OPTION1

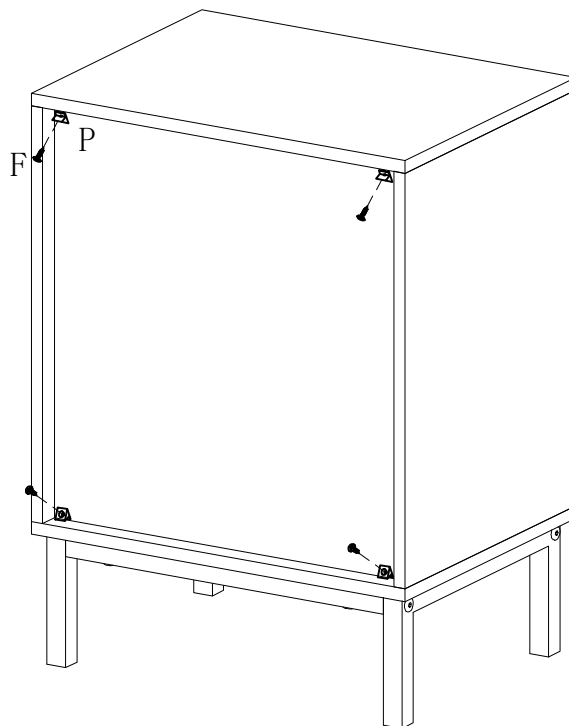
OR

OPTION2

STEP 8 L-  x4



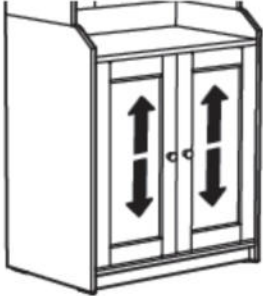
STEP 9 F-  x4 P-  x4



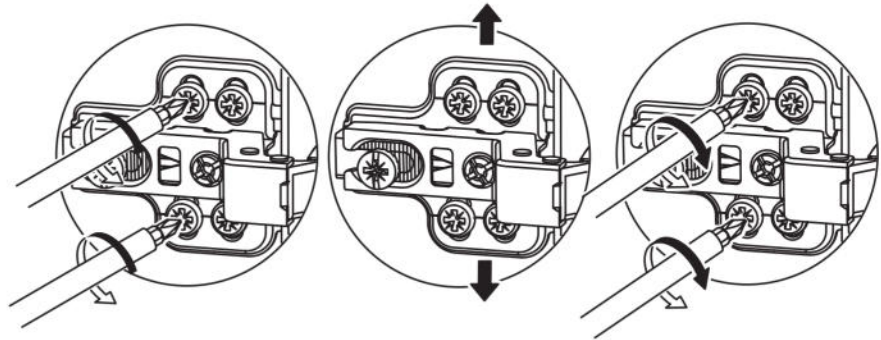
Hinger Adjustment Tips

Noted: The door might be scraping, bumping, misaligned when first assembly.

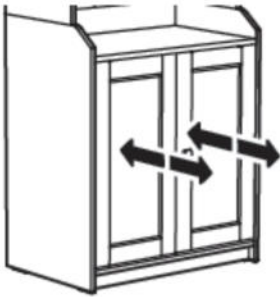
Please follow the below tips:



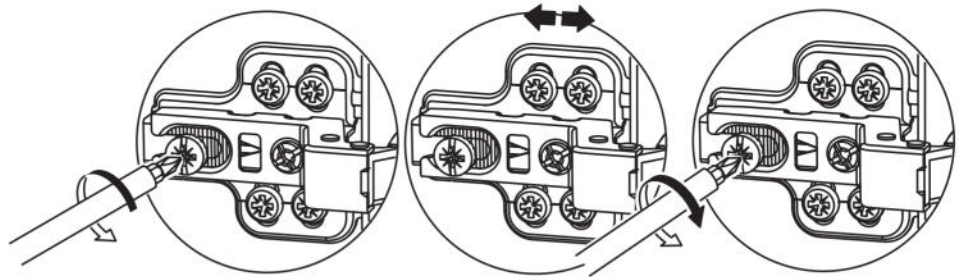
Adjust the door up and down



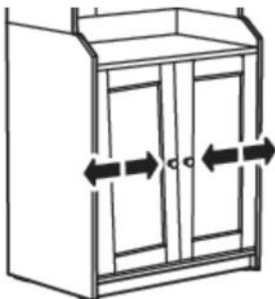
1. Loosen the two mounting screws on both hinges, but only slightly. ...
2. Gently close the cabinet door.
3. With the door still closed, adjust the cabinet door to the desired height.
4. Open the cabinet door again, being careful not to jostle the door out of position.
5. Retighten the screws by hand.



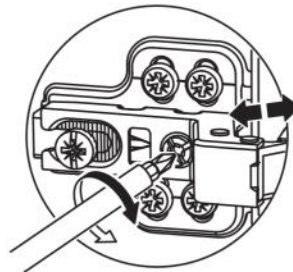
Move the door in and out



If the door doesn't meet the box at the top, adjust the top hinge toward the cabinet and/or adjust the bottom hinge away from the cabinet. If the door is gapped at the bottom, do the reverse.



Move the door right or left



You can adjust one or both hinges on each door, depending on how much correction it needs. If the door seems to be tilting down to the right, turn the side-to-side screw on the top hinge so the hinge pulls closer to the side of the cabinet box, moving the top of the door to the left.