



K: 43351763 | T: 68778576 (Model: JLR-78392)

BT OVER EAR WITH **Active Noise Cancelling**

Instruction manual



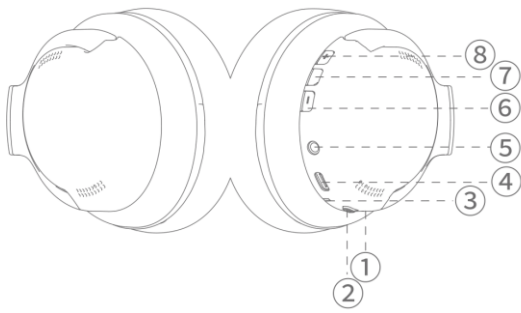
Please read all the information carefully before you use the product and keep the manual for future reference.

Packing list:

- Headphone*1
- Dual 3.5mm audio cable*1
- Type-C Charging Cable*1
- User' s Manual*1

Production structure

1. Microphone
2. **Active Noise Cancelling** switch
3. Indicator light
4. C-type charging port
5. Auxiliary Port
6. Volume -/Previous Song
7. Multi-function button
8. Volume+/Next Song



Bluetooth headphone turn ON/OFF

1. Power on: Long press the multi-functional button for 3 seconds, and the indicator flashes red and blue.
2. Power off: Long press the multi-functional button for 5 seconds.

Bluetooth connection

Follow the steps (Please make sure that your phone is built-in Bluetooth function)

1. Turn on the headphone, the LED indicator flashes alternately with blue and red, the headphone enter the pairing status.
(Note: The headphone can automatically enter pairing status after power on if there is no re-connection. As the headphone can automatically reconnect with the last device that you had paired. To re-connect, you just need to turn it on.)
2. Activate the Bluetooth function and search for “anko43351763” referring to your phone instructions.
3. Manually click “anko43351763” to connect.

Answering incoming calls

Tap the multi-function button to answer the call.

Tip: Since some mobile phones default to answer calls via their own receiver, please refer to the instructions of your phone and set on your phone.

End the current call

Press the multi-function button for 2 seconds to end the call.

Reject incoming calls

Press the multi-function button for 2 seconds when an incoming call comes.

Last number redial

Double-click the multi-function button to redial the last calling number.

Music playing

1. Play/Pause: Press the multi-functional button;
2. Previous song: Long press - Select previous song;
3. Next song: Long press + select next song;
4. VOL+: Press + to increase the volume;
5. VOL -: Press - to reduce the volume.

Active Noise Cancelling model

In any mode, the Active Noise Cancelling function can be turned on and off by pressing the separate Active Noise Cancelling button. The green light is on when the Active Noise Cancelling mode is turned on.

Wired mode: 3.5mm Audio Cable connecting To Audio Jack

1. Plug and play: Connecting the headphone to a music player with the provided 3.5mm audio cable, the headphone can be used as wired headphone without starting.
2. Compatible with mobile phone/iPod/MP4/MP3/CD/PC, etc.

Note: The Bluetooth headphone will automatically switch off and become a wired headphone after plugging in the 3.5mm audio cable.

To charge the headphone

1. As product is built-in non-removable and rechargeable battery, please use the provided charging cable to charge;
2. Charging voltage and current is 5V/1A. please charge the product with the input power below 5V/1A;
3. Fully charge the product before the first use. It takes 2.5 hours to charge for the subsequent use;
4. If the LED lights up in red and goes out after charging is completed, proceed with charging.

Notes

- a. Please choose the charger that is certified by the regular manufacturer;
- b. The battery performance may decrease as repeating charging and using the product. It's a normal phenomenon for all rechargeable batteries.
- c. Regular charging the headphone for every month is to ensure the life of the headphone, while pro-longed period of idle or low battery level may lead to battery life issue.
- d. Only use the charging cable provided to charge the headphone, and the cable should not be used for charging other device.

Specification :

BLUETOOTH VERSION: 5.3

IMPEDANCE: 32 Ohm±10%

SENSITIVITY: 91dB±5dB AT 1kHz

NOISE-CANCELLATION: -20±2dB

BATTERY: 600MAH

WORKING DISTANCE: 10M

WORKING TIME: APPROX 60 HOURS AT 80% VOLUME

CHARGING TIME: APPROX 5 HOURS

Dimension: 165*183*80mm

Net weight: 220g

Warnings

1. Please follow the instruction to operate

2. Please charge the headphone with input power below 5V/1A, in order to protect the battery;
3. Please store or use the headphone in a normal temperature environment.
4. Please keep the headphone from heat source, such as radiators, hot air regulators, stoves, or other heat generating instruments. As it is not anti-high temperature.
5. Don't jam the ports of the headphone, such as charger port, LED port and microphone etc..
6. In order to protect your hearing and extend the speaker service life, it is not recommended to adjust the volume to the maximum level for a long time.
7. Whatever reasons damage the headphone, please feel free to contact our after-sales staff in time rather than repair by yourself. Otherwise, you will accept without after-sales service.