

Assembly Instructions




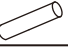





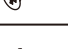
PET FEEDING STATION





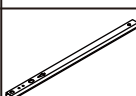




CARE INSTRUCTION: Wipe clean with a soft dry or damp cloth. Keep away from water and direct sunlight. For indoor and domestic use. Check and tighten all parts regularly.

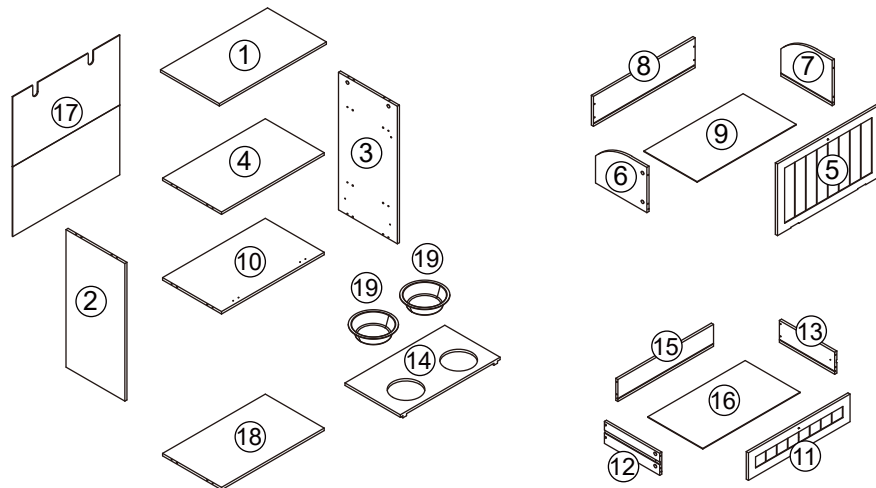
WARNINGS: Do not stand or sit on the unit. Do not lean on the product. Do not drag the product. Use only on a flat surface. Do not use until all screws, bolts and knobs are firmly secured. Load the drawer evenly to prevent it from tipping over. This product contains small parts and sharp points, keep away from children and babies. Adult assembly required. Failure to follow these warnings could result in serious injury.

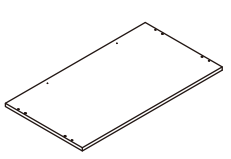
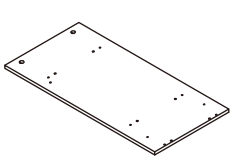
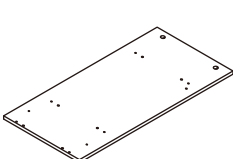
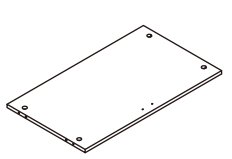
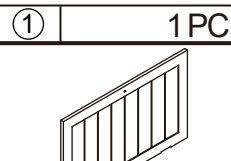
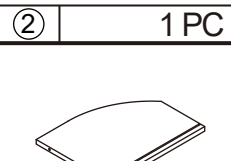
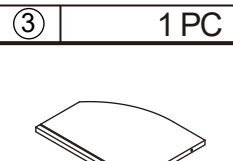
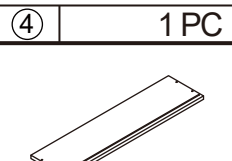
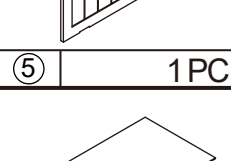

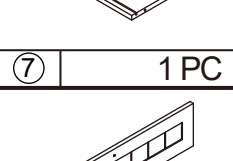
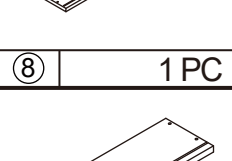
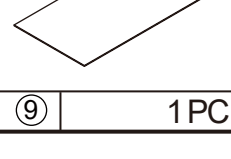
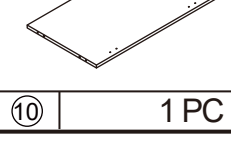
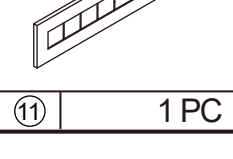
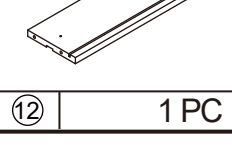
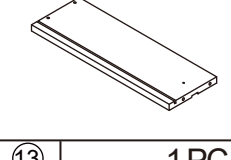
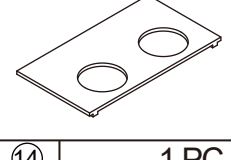
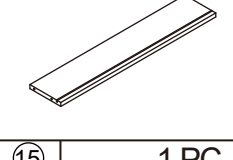
MAXIMUM TOTAL LOADING WEIGHT: 10KGS FOR TOP PANEL AND 5KGS FOR PULL OUT SECTION, MAXIMUM LOADING 15KGS.

Hardware list


	a		24PCS
	b		24PCS
	c	6X30mm	16PCS
	d		2PCS
	e		1PC
	f		2PCS
	g		1PC
	h	3X14mm	2PCS
	i	4X35mm	8PCS
	j	4X14mm	2PCS

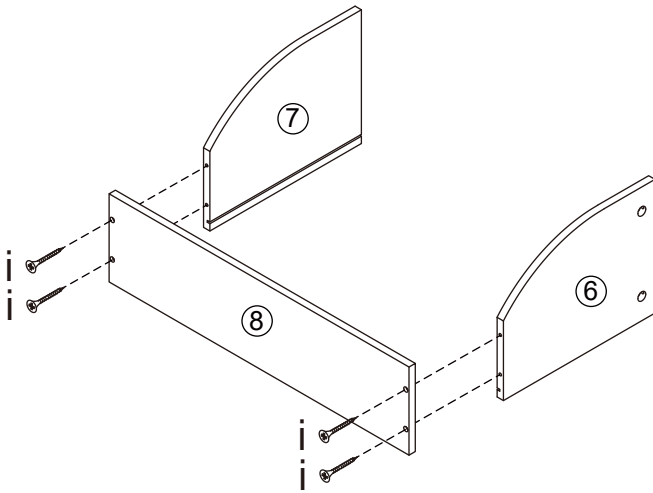
	k		2PCS
	l	4X10mm	2PCS
	m	3X12mm	13PCS
	n		16PCS
	o		2PCS
	p	4X12mm	2PCS
	q		2PCS
	r	4X35mm	2PCS
	s		2PCS



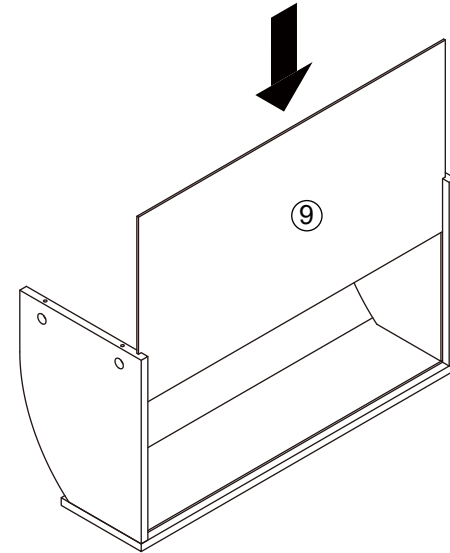
	①	1 PC		②	1 PC		③	1 PC		④	1 PC
	⑤	1 PC		⑥	1 PC		⑦	1 PC		⑧	1 PC
	⑨	1 PC		⑩	1 PC		⑪	1 PC		⑫	1 PC
	⑬	1 PC		⑭	1 PC		⑮	1 PC		⑯	1 PC
	⑰	1 PC		⑱	1 PC		⑲	2 PCS			

DO NOT TIGHTEN THE SCREWS UNTIL THE PRODUCT IS FULLY ASSEMBLED.

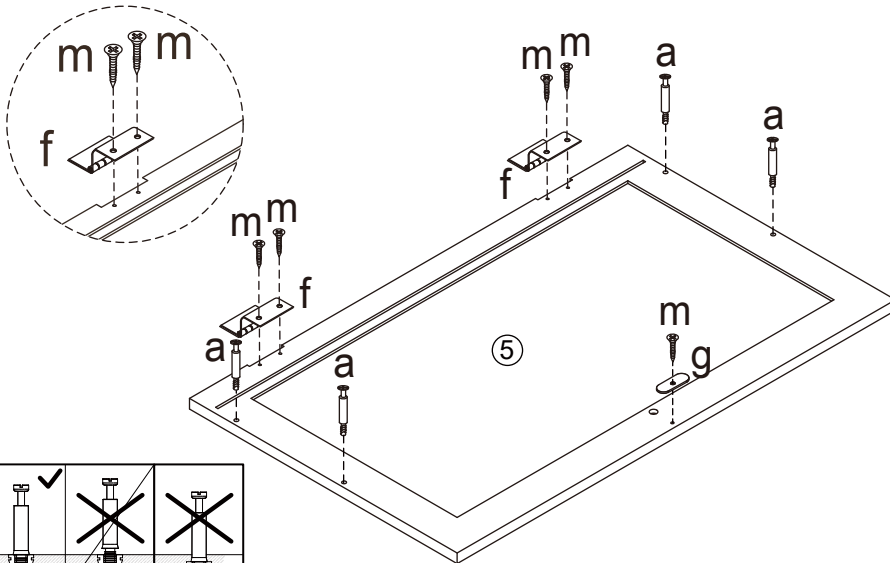
STEP 1  X4



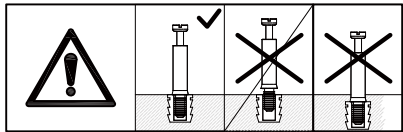
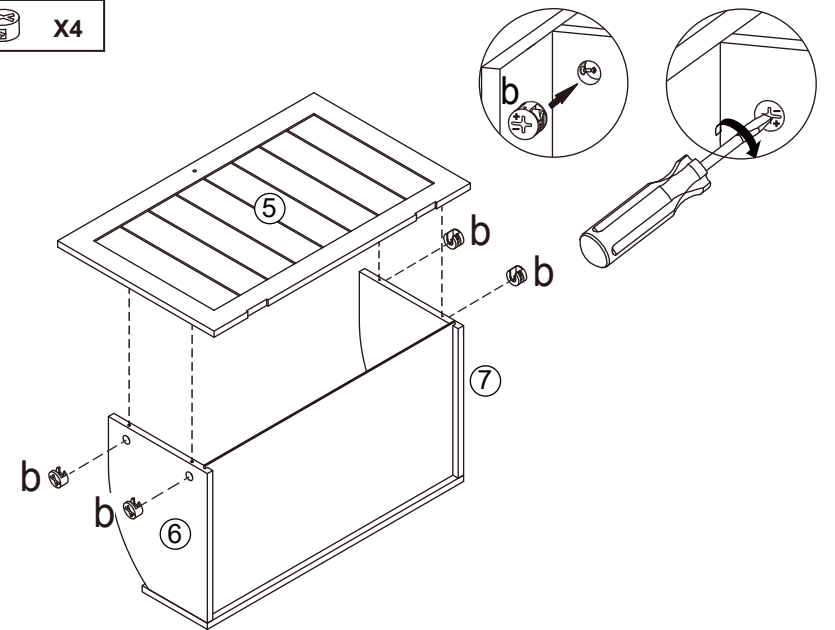
STEP 2







STEP 3  X4  X2  X1  X5

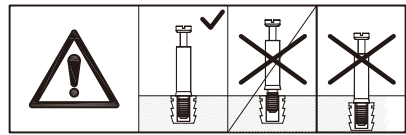
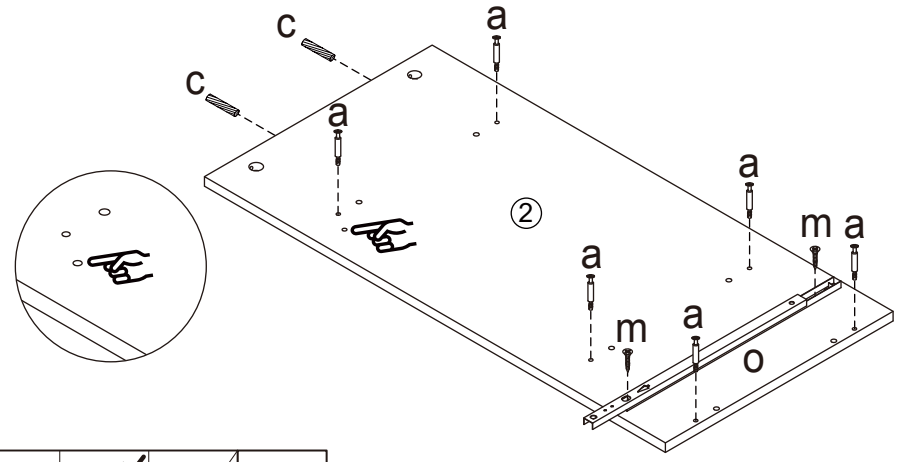
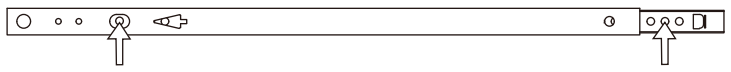


STEP 4  X4



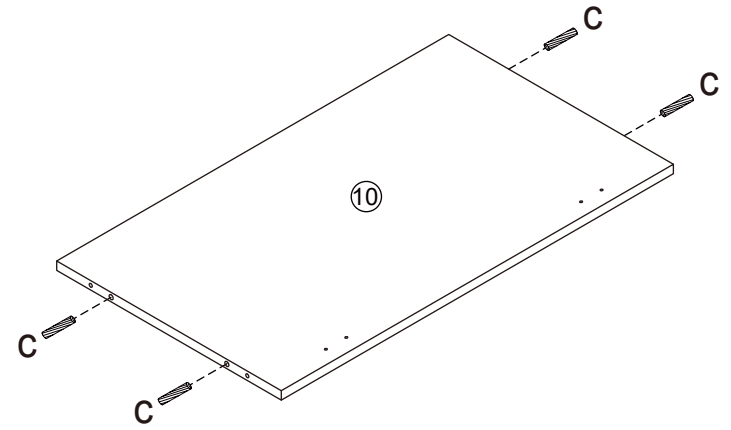
STEP 5

-  X6
-  X2
-  X2
-  X1



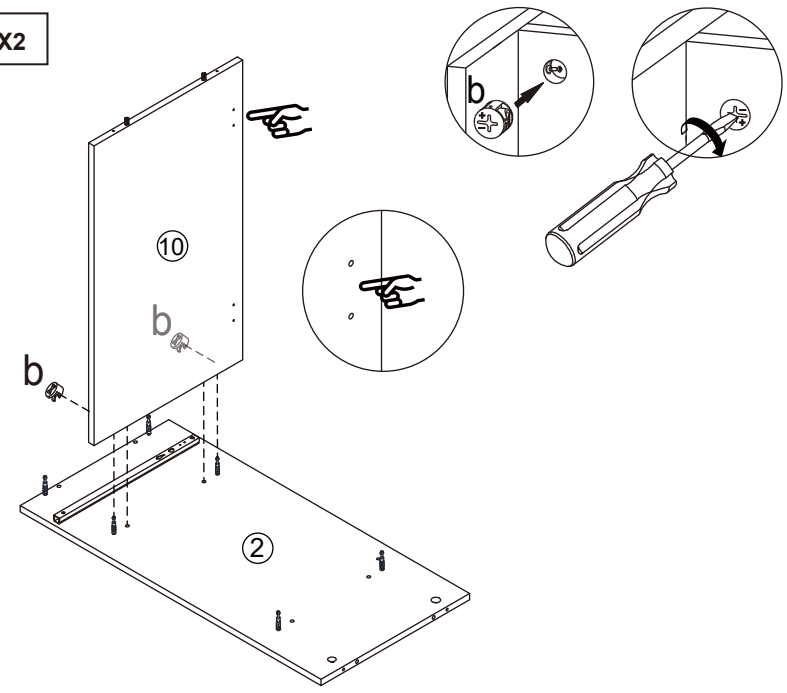
STEP 6

-  X4



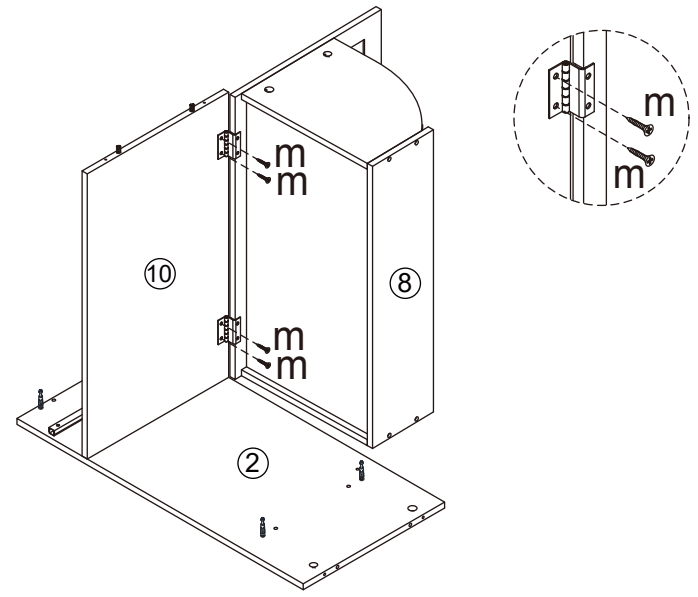
STEP 7

-  X2



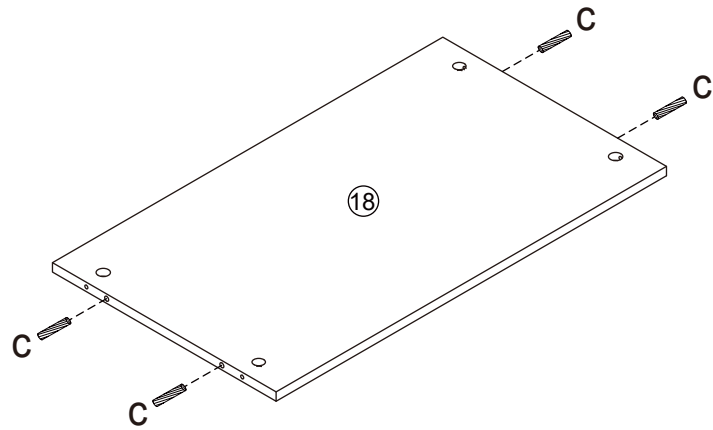
STEP 8

-  X4



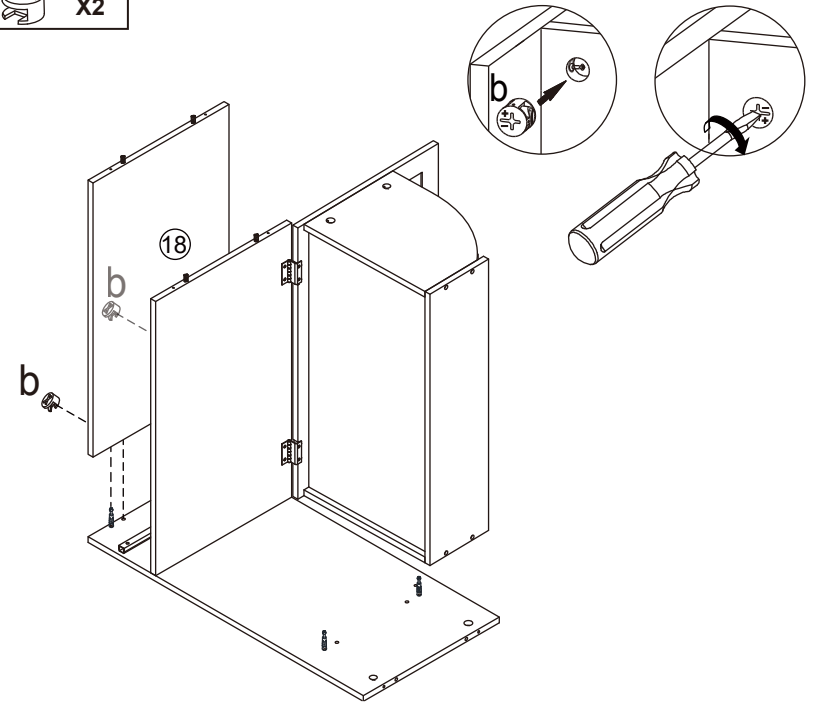
STEP 9

 X4

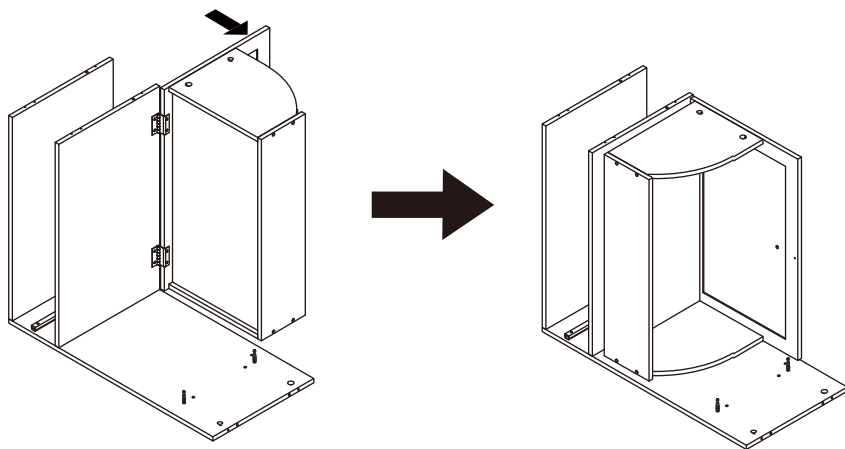


STEP 10




 X2

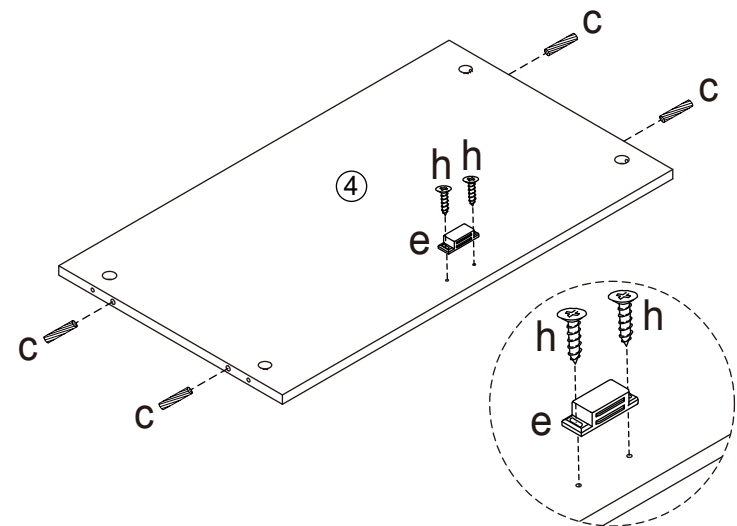


STEP 11



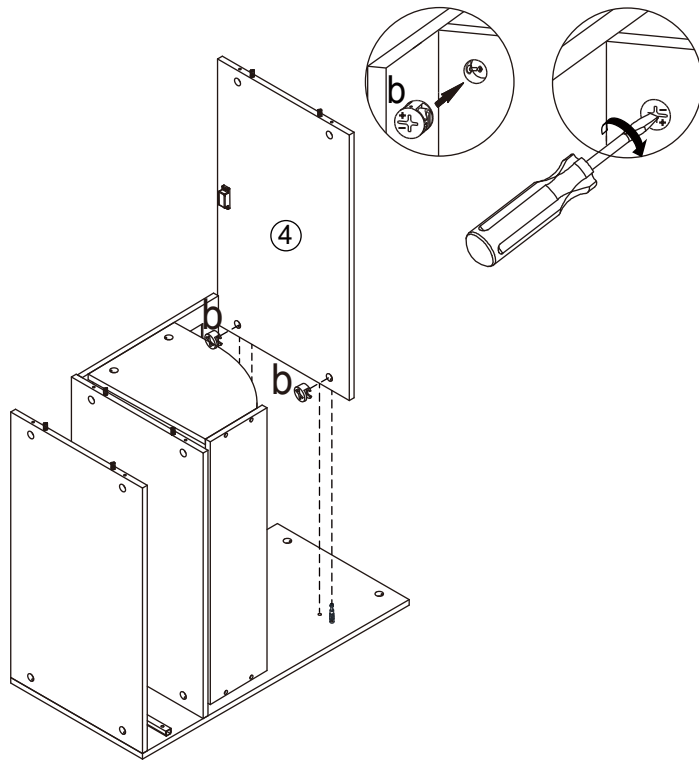
STEP 12

 X4  X1  X2







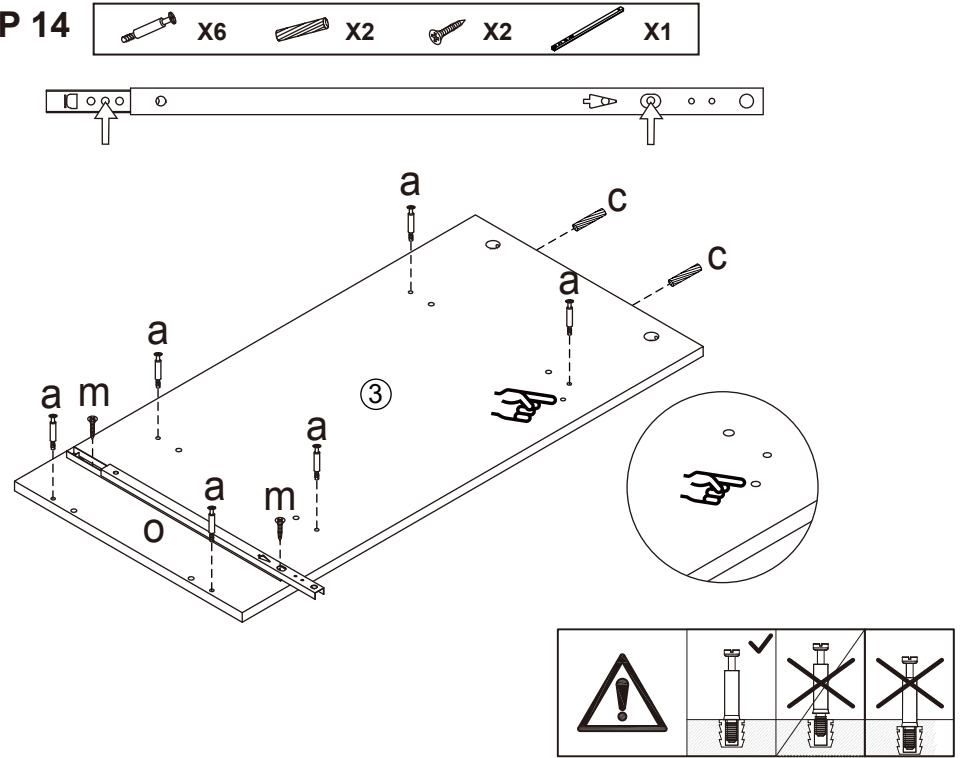
STEP 13

 X2



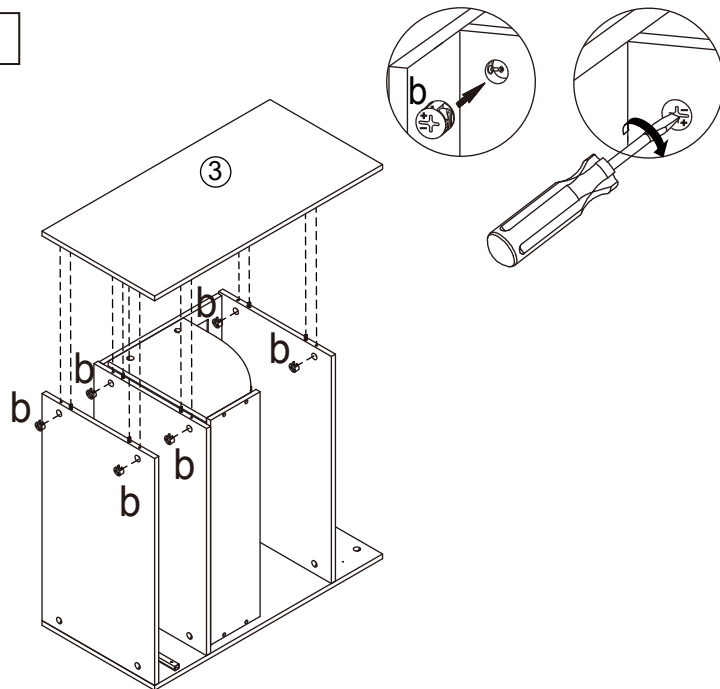
STEP 14

 X6  X2  X2  X1



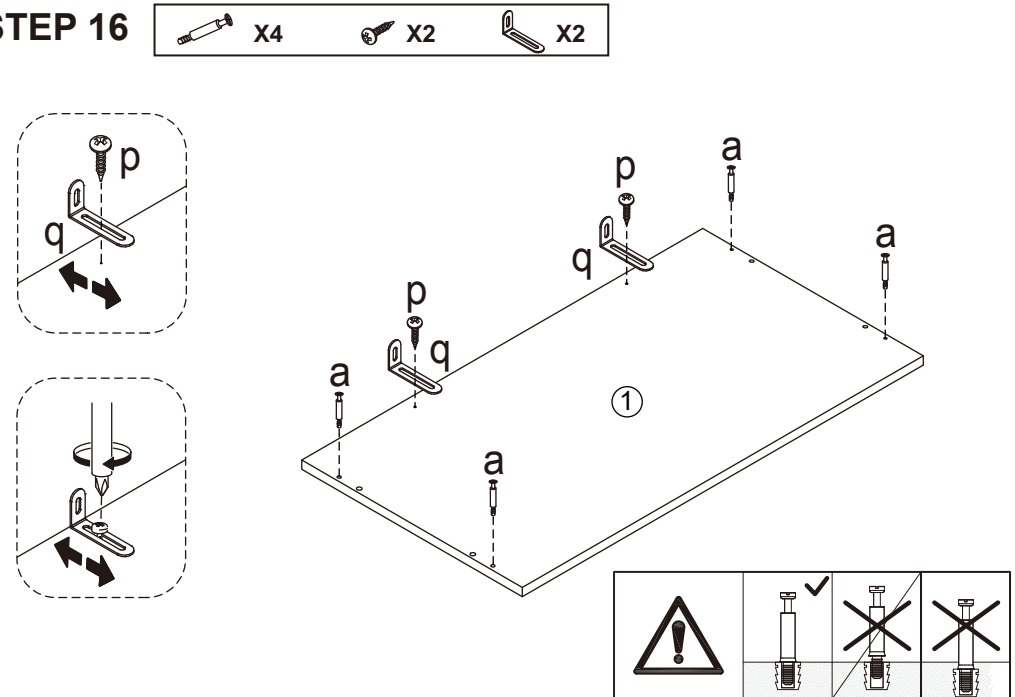
STEP 15

 X6

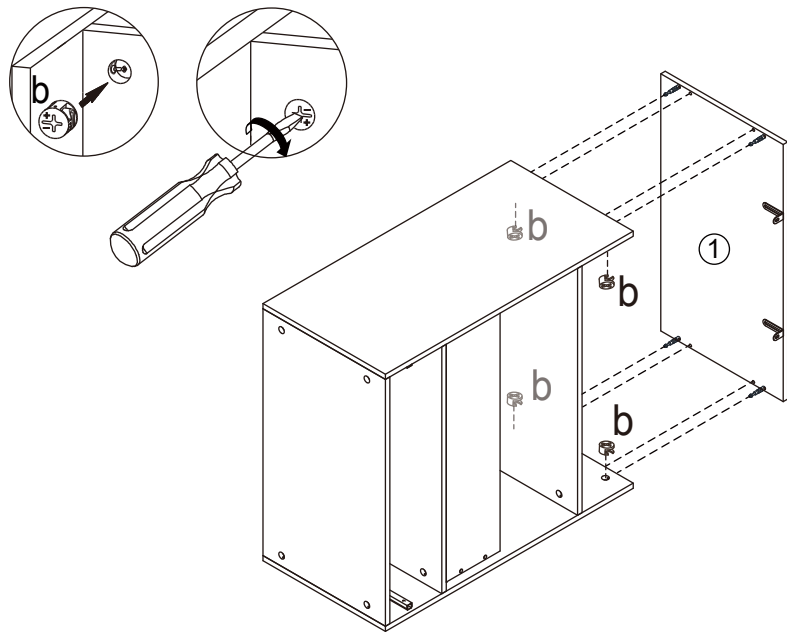


STEP 16

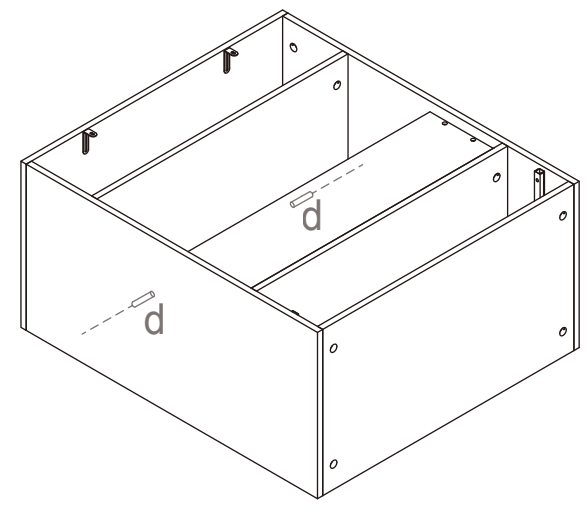
 X4  X2  X2



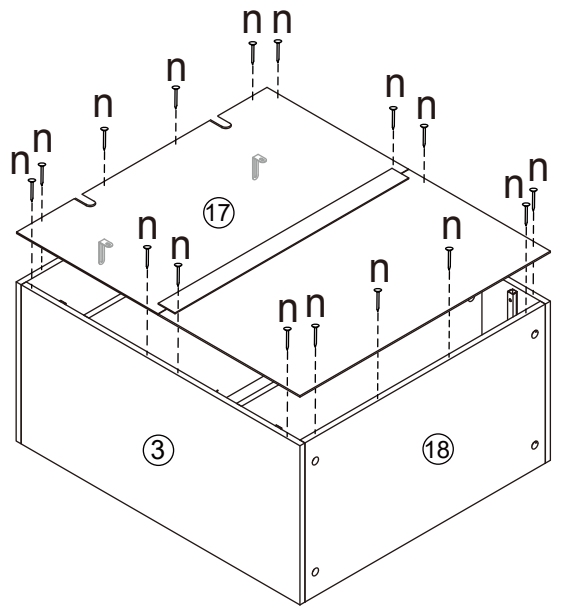
STEP 17  X4



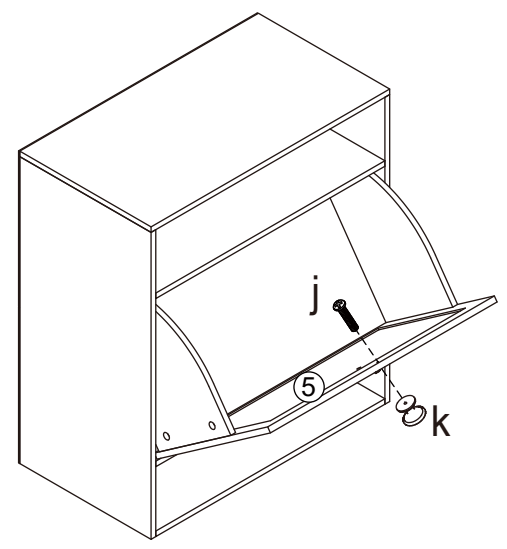
STEP 18  X2



STEP 19  X16

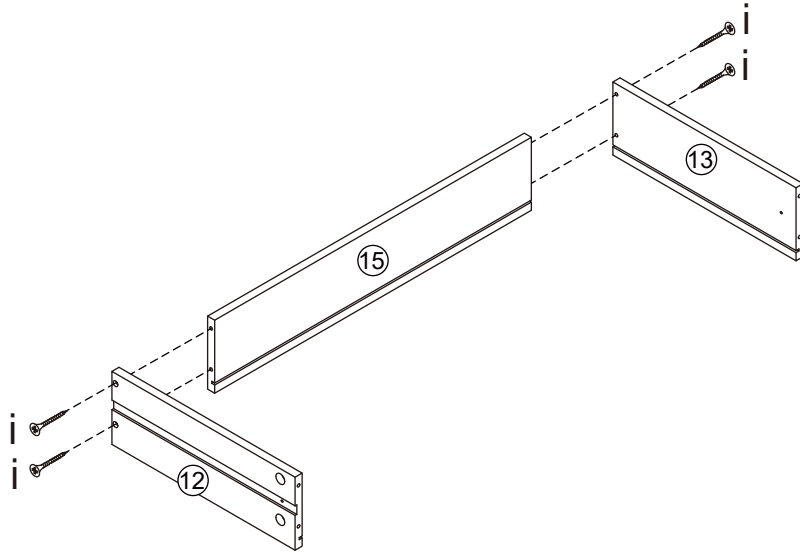


STEP 20  X1  X1

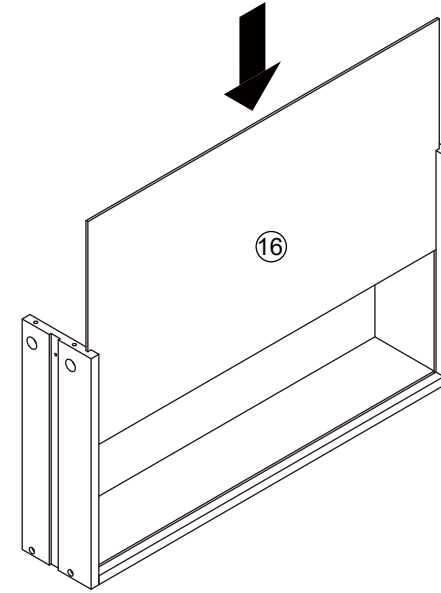


STEP 21


 X4

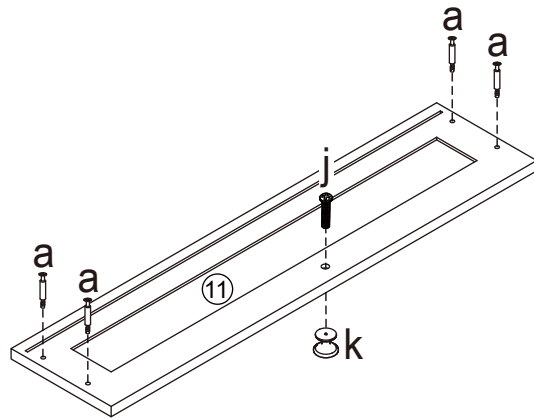


STEP 22




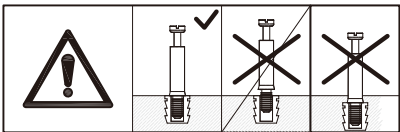
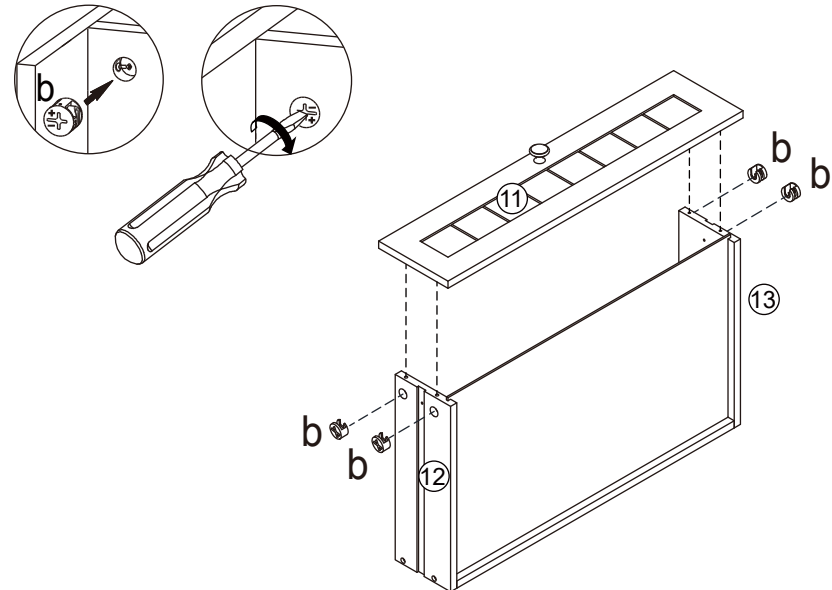
STEP 23

 X4  X1  X1

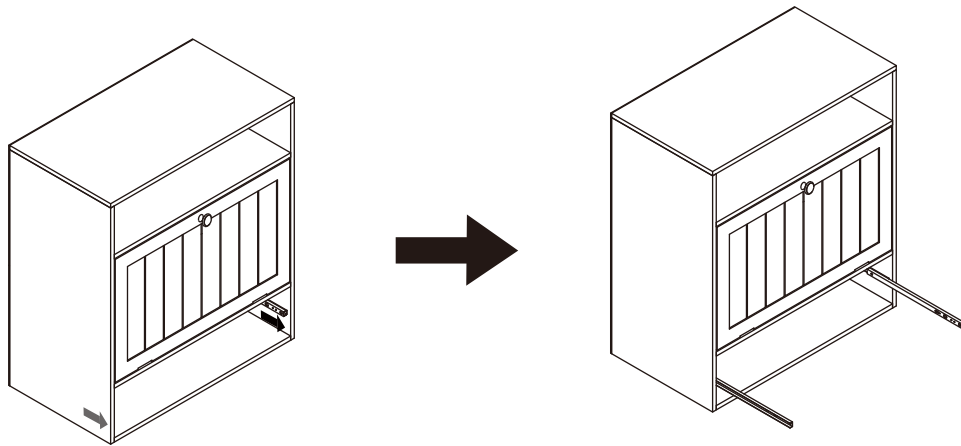


STEP 24

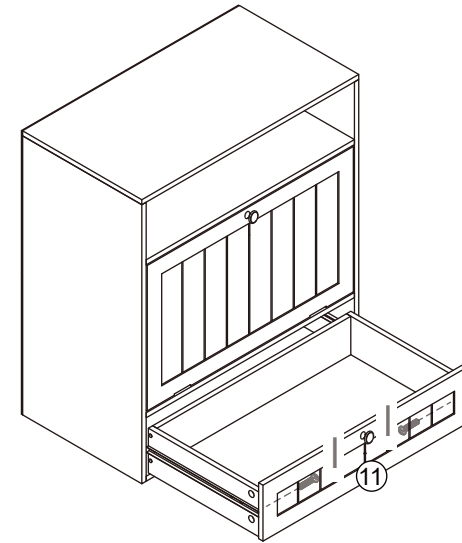
 X4



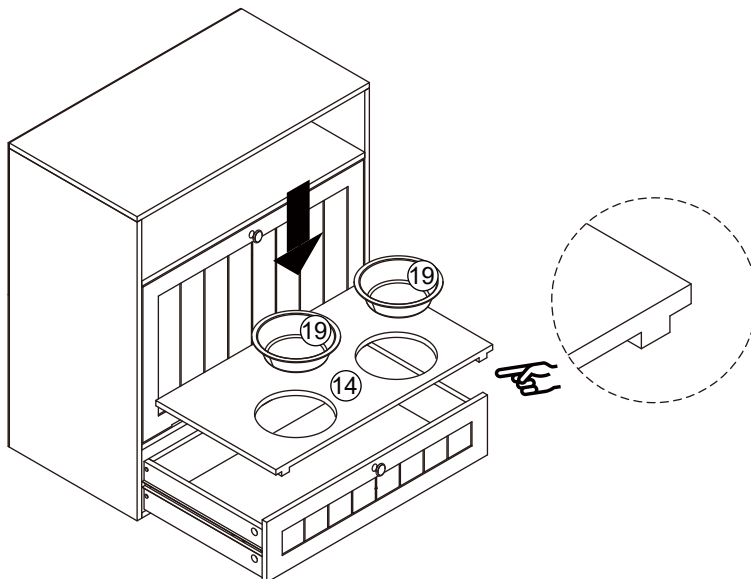
STEP 25



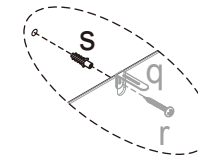
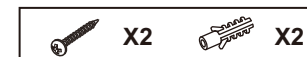
STEP 26



STEP 27



STEP 28



Warning:

- It is strongly recommended that this product is permanently fixed to the wall.
- Please seek professional advice if you are in doubt of what fixing device to use.
- Regularly check that anchors are securely maintained.
- Stability of tall items may be affected by thick pile carpet or uneven floors.
- Do not place unanchored televisions on cabinet.

Caution: for your safety when attaching the anchor fixings, please note the following:

- Check any electrical wires or plumbing inside the wall before drilling any holes (if you are unsure please seek professional advice from a qualified tradesperson).



WARNING: PLEASE SECURE YOUR FURNITURE WITH THE SUPPLIED WALL FIXING. SCAN THE CODE FOR MORE INFORMATION.



Wall

