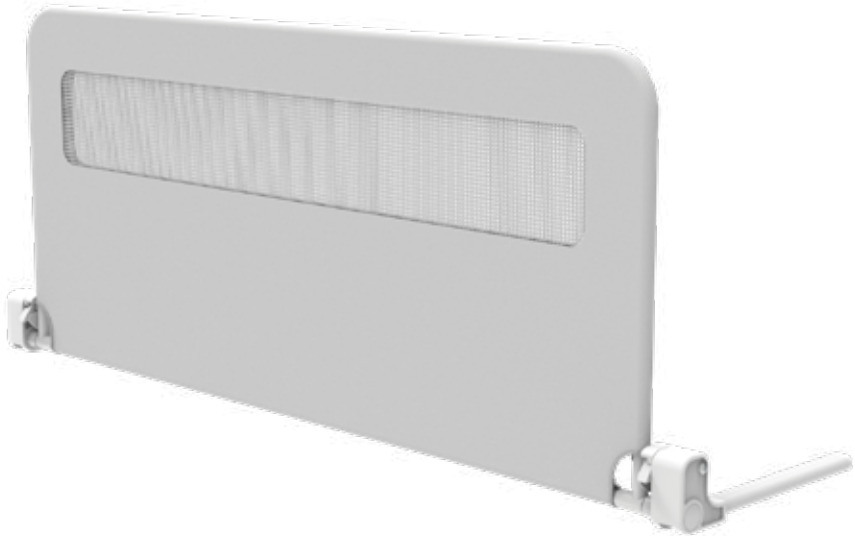


# Folding Bed Rail

18-5

months years

## Instruction Manual



SCAN HERE FOR MORE INFORMATION  
ON INSTALLATION OR SPARE PARTS.

OR VISIT: [CHILDSAFETYHELP.COM.AU](http://CHILDSAFETYHELP.COM.AU)



**IMPORTANT! READ AND FOLLOW THESE INSTRUCTIONS  
CAREFULLY AND KEEP FOR FUTURE REFERENCE.**

# ● WARNINGS

- WARNING** Adult assembly required.
- WARNING** Read all the instructions before assembly and use of the product.
- WARNING** Dispose of all packaging materials carefully after assembly.
- WARNING** Not suitable for use of children under the age of 18 months or when the child is over the age of 5 years.
- WARNING** Only use the bed rail when the child is able to climb in and out of bed unaided.
- WARNING** The bed rail should not be used as a substitute for a cot, as it cannot provide the same level of safety as a cot.
- WARNING** The bed rail should be periodically checked for its general condition with particular reference to the security of any locking mechanism and/or hinges that are used on the product.
- WARNING** Intended for use with single beds 1400-1900mm in length, up to 1200mm in width and with mattress thickness of 130-260mm.
- WARNING** Intended for use with single or children's mattress only.

# ● WARNINGS

**WARNING** Any additional or replacement parts should be obtained from the Customer Service Centre of the entity you purchased this product.

**WARNING** The bed rail should not be used on a sleeping surface that is more than 600mm from the floor.

**WARNING** To prevent risk of strangulation, it is essential to ensure that when the bed guard is fitted into position, there is a gap of at least 250mm between each end of the bed and the corresponding end of the bed guard.

**WARNING** Care should be taken in unpacking and assembly.

**WARNING** Fit the bed rail so that its side, when in the locked position or when placed in the fitted position, touches the side of the mattress.

**WARNING** The bed rail should not be used unless the fittings are in place and securely attached to both the bed and/or the mattress and the bed rail.

**WARNING** Once fitted into place, the bed rail should be checked to ensure that it is properly fitted and secure.

**PARTS**  
INCLUDES

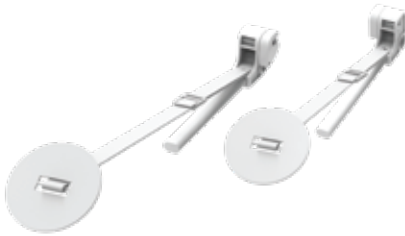
1 x  
Bed Rail Mesh



2 x  
Upper Support Bars



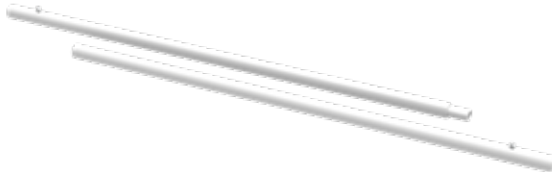
2 x 1.2m  
Adjustable Straps &  
Under Bars



2 x  
Bottom Support Bars



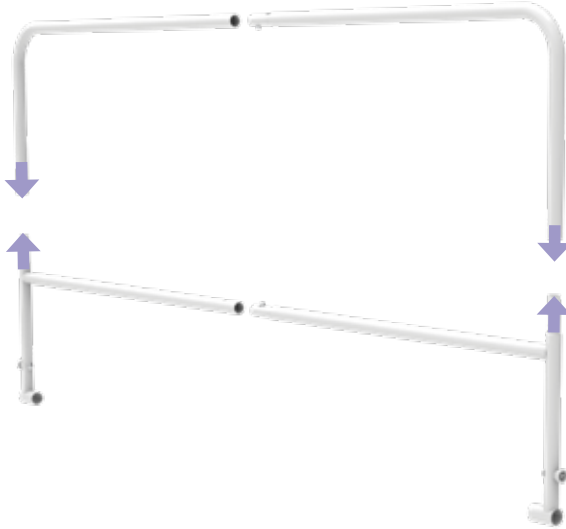
2 x  
Bottom Rails



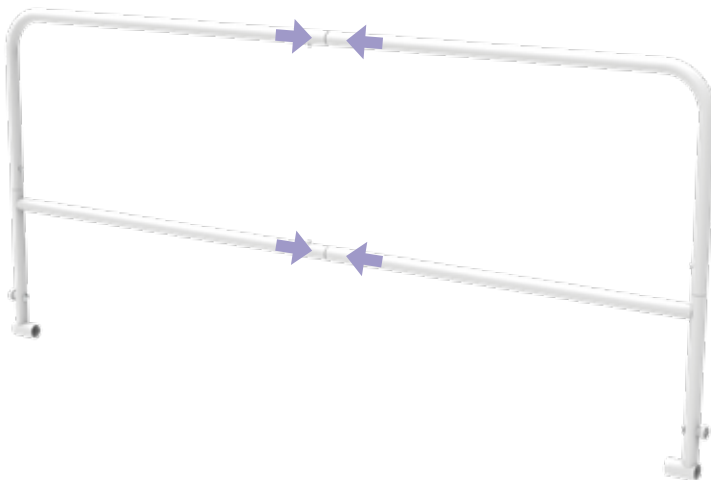
# ● INSTALLATION

## STEP 1: BAR ASSEMBLY

1. Insert Upper Support Bar (left & right) into Bottom Support Bar (left & right). Fit vertically so that the two pieces connect securely.



2. Connect the two sides horizontally and ensure the frame is secure.



# ● INSTALLATION

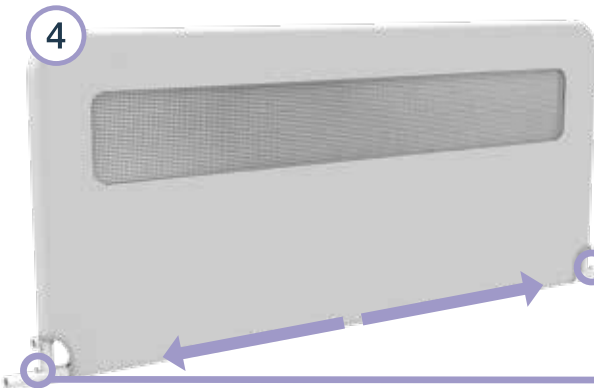
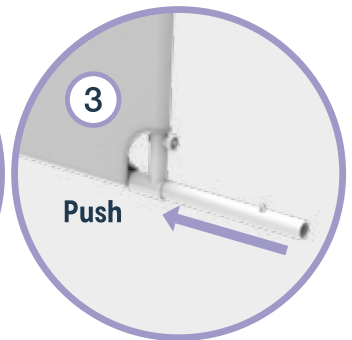
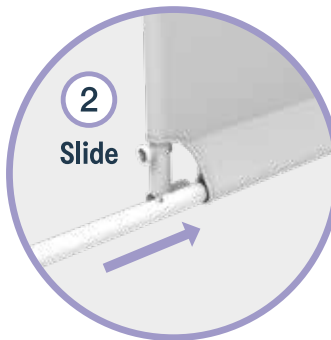
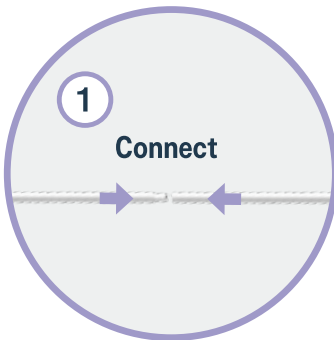
## STEP 2: MESH & BOTTOM RAIL INSTALLATION

1. Fit the mesh over the frame.
2. Connect the bottom rails together.

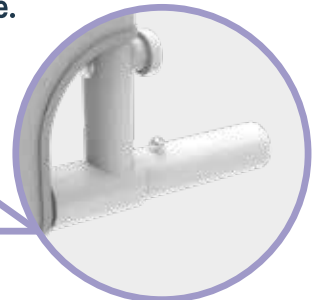
Slide rail through the loop on the bottom of the mesh, then through the hole on the right side of bottom support bar by pushing the spring button on the rail.

Slide the rail backwards through the hole of the left side of bottom support bar by pushing the spring button on the rail.

Ensure spring buttons are aligned and released on each side outside of the frame. Refer to below steps.



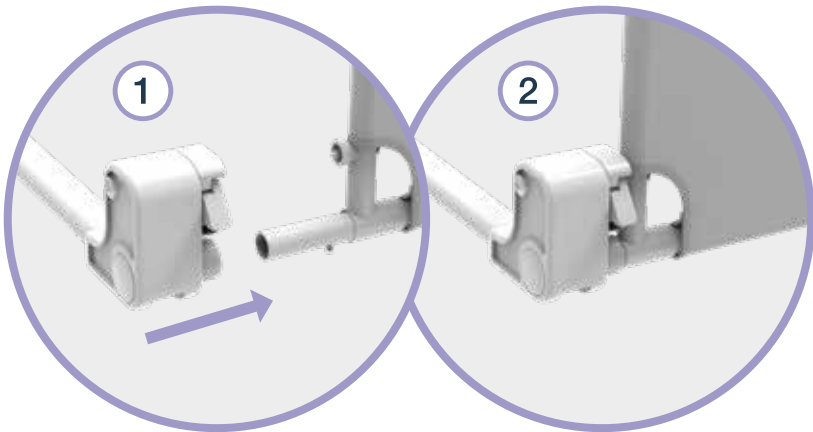
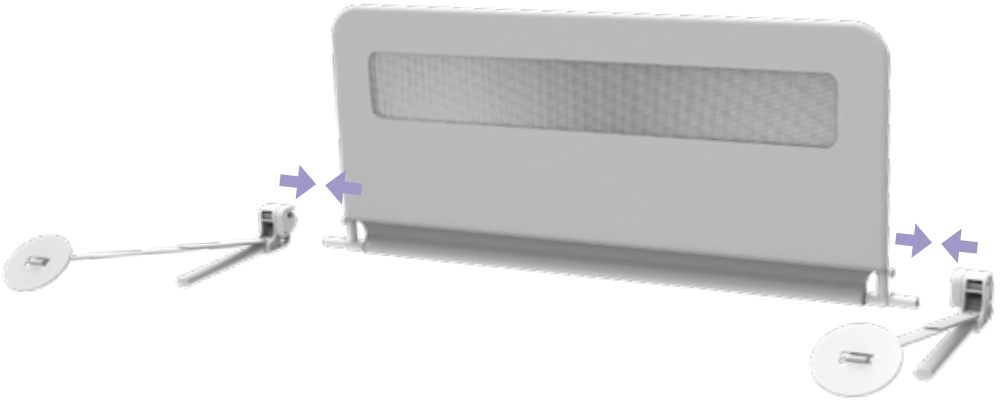
Ensure spring buttons are aligned and released on each side outside of the frame.



# ● INSTALLATION

## STEP 3: HINGE INSTALLATION

1. Slide both straps and under bars onto the assembled panel. Press the metal spring button down and slide further to connect. Ensure both sides are secure. Refer to below steps.



# ● INSTALLATION

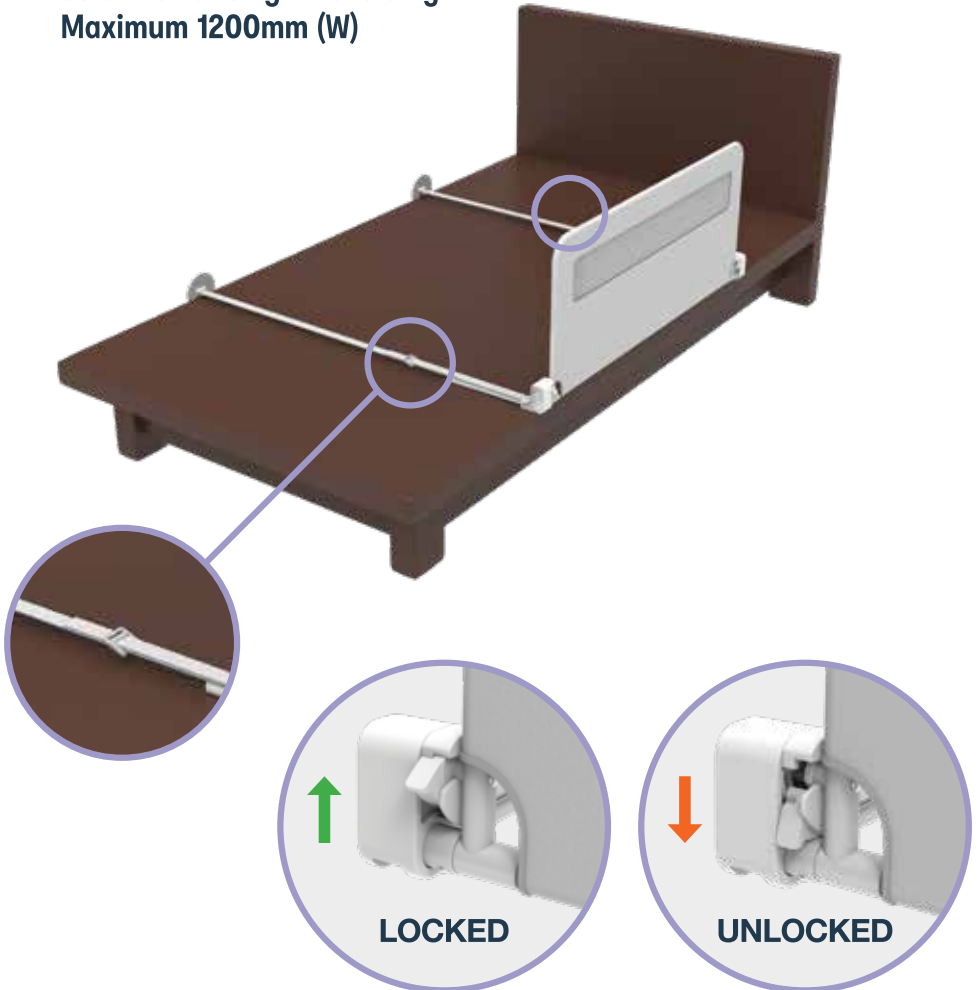
## STEP 4: POSITIONING THE BED RAIL

1. Put the bed rail in locked position and place on the side you want protected. Place the round plates with the strap on the opposite side of the bed rail and mount to the outer edge of the bed frame.

Adjust the sliders on the Straps and Under Bars to fit firm against the base of the bed.

Always readjust the slider whenever you reposition the bed rail.

**Suitable for single beds only.**  
**Maximum 1200mm (W)**





# ● INSTALLATION

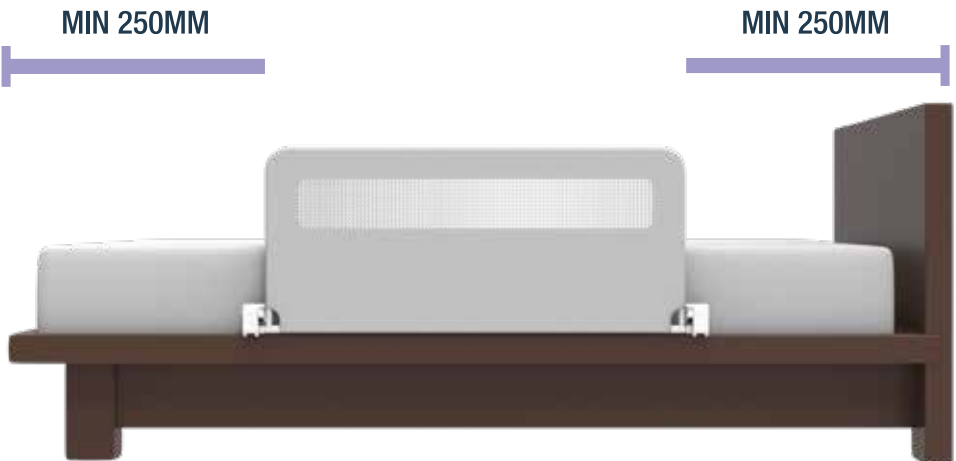
## STEP 4: POSITIONING THE BED RAIL CONT.

2. Ensure both left and right under bar assemblies are parallel to one another, then place mattress on top of the bed rail.



## WARNING:

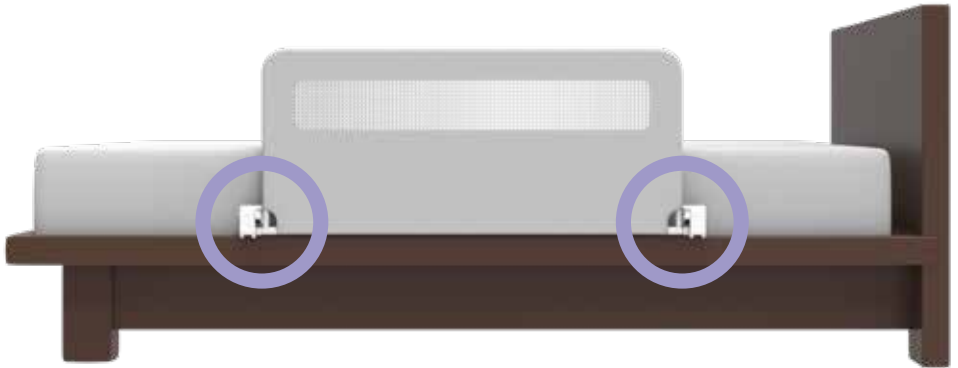
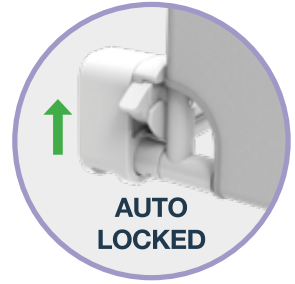
To prevent the risk of strangulation, ensure that when the bed rail is fitted into position, there is a gap of at least 250mm between each end of the bed and the corresponding end of the bed rail.



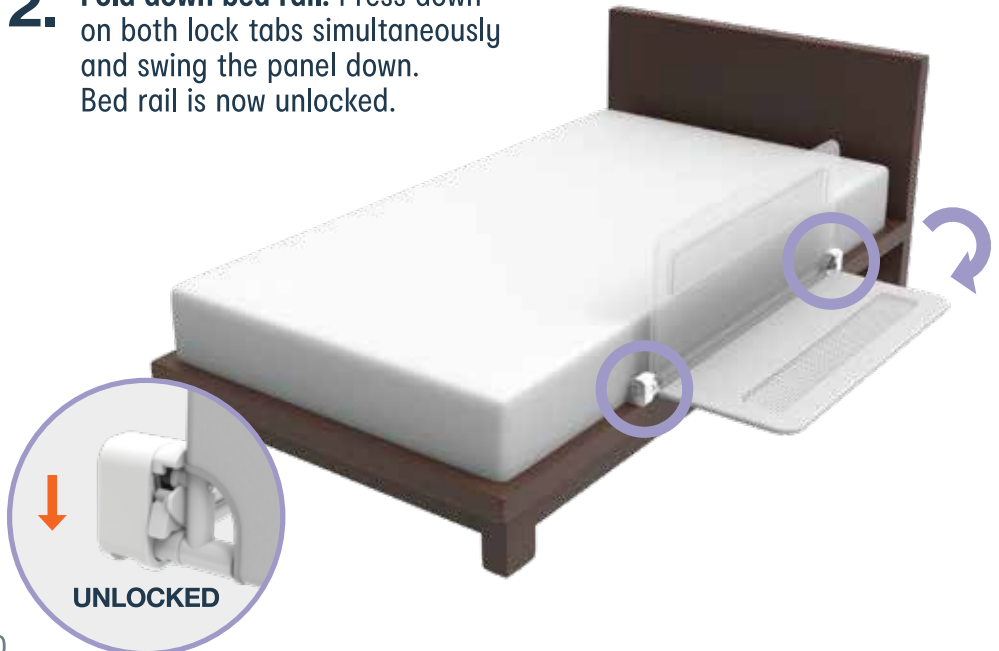
# ● OPERATION

## USING THE BED RAIL

- 1. Set up bed rail:** Swing panel up. Latches will automatically close once in 90° position. Bed rail is now locked.



- 2. Fold down bed rail:** Press down on both lock tabs simultaneously and swing the panel down. Bed rail is now unlocked.



# ● MAINTENANCE

## CARE INSTRUCTIONS

No part of Bed Rail requires lubrication. Clean using warm soapy water, or a damp cloth and dry thoroughly after cleaning. Do not use abrasive cleaners or bleach.



**IMAGES/DRAWINGS IN THE MANUAL ARE FOR VISUAL PURPOSES ONLY. ACTUAL PRODUCT MAY VARY SLIGHTLY. THE MANUFACTURER RESERVES THE RIGHT TO CHANGE ANY SPECIFICATION OR FEATURE WITHOUT PRIOR NOTICE.**

**MADE IN CHINA**

**CUSTOMER SERVICE:**

**KMART AU: 1800 124 125**

**KMART NZ: 0800 945 995**

**TARGET AU: 1300 753 567**

**K: 43-363-858 | T: 68-948-818**

**AFTER SALES SUPPORT:**

**AU: 03 9005 0127 . NZ: 0800 945 995**

**[WWW.CHILDSAFETYHELP.COM.AU](http://WWW.CHILDSAFETYHELP.COM.AU)**



**SCAN HERE FOR MORE INFORMATION  
ON INSTALLATION OR SPARE PARTS**

**OR VISIT: [CHILDSAFETYHELP.COM.AU](http://CHILDSAFETYHELP.COM.AU)**