

# Tall & Wide Metal Gate With Extensions

› fits openings:

75cm - 83cm (no extensions)

87.5cm - 95.5cm (1 x 12.7cm extension)

100.5cm - 108.5cm (1 x 25.4cm extension)

113cm - 121cm (1 x 12.7cm & 1 x 25.4cm extensions)



## Instruction Manual



SCAN HERE FOR MORE INFORMATION  
ON INSTALLATION OR SPARE PARTS.

OR VISIT: [CHILDSAFETYHELP.COM.AU](http://CHILDSAFETYHELP.COM.AU)



**IMPORTANT! READ AND FOLLOW THESE INSTRUCTIONS  
CAREFULLY AND KEEP FOR FUTURE REFERENCE.**

# ● WARNINGS

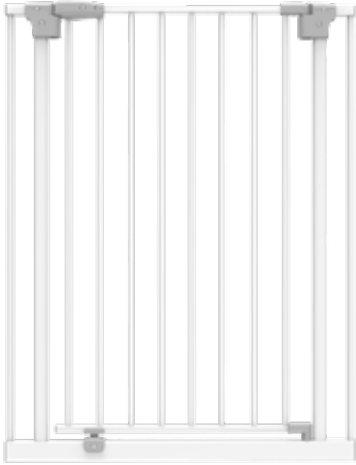
- WARNING** To prevent serious injury or death, securely install gate or enclosure and use according to manufacturer's instructions.
- WARNING** Never leave child unattended when using this product.
- WARNING** Incorrect installation can be dangerous.
- WARNING** Do not use the safety barrier if any components are damaged, missing or disassembled.
- WARNING** The safety barrier must not be fitted across windows.
- WARNING** Never use with a child able to climb over or dislodge/open the safety barrier which may cause danger.
- WARNING** Never install this product on glass doors. Install this product against reliable doors or walls.
- WARNING** To prevent falls, never use this product at the top of stairs.
- WARNING** If the safety barrier is used at the bottom of the stairs, it should be positioned at the front of the lowest tread possible.
- WARNING** To prevent injury, do not put any goods which can be grabbed by children or pets near this product.
- WARNING** Before using this product, carefully inspect for any loose parts and whether any parts need to be tightened.

# ● WARNINGS

- WARNING** Ensure the product to be installed is horizontal and flat on the floor.
- WARNING** This product is intended for use with children from 6 to 24 months or small to medium pets.
- WARNING** Safety barrier should be checked regularly to ensure that it is secure and functioning in accordance with these instructions.
- WARNING** Any additional or replacement parts should be obtained from the Customer Service Centre of the entity you purchased this product.
- WARNING** Barrier must be fitted between rigid surfaces such as plaster board, timber or hardwall.
- WARNING** Always check that the safety barrier is correctly closed.
- WARNING** Use only with the locking/latching mechanism securely engaged.
- WARNING** This safety barrier is for domestic use only.
- WARNING** Never use without Wall Cups.
- WARNING** This safety barrier must be fitted between a rigid surface such as doorways, walls and stair posts along with Wall Cups secured with screws.
- WARNING** This safety barrier has a manual closing system.

# ● PARTS

INCLUDES



1 x  
Safety Gate



1 x  
12.7cm Gate  
Extension



1 x  
25.4cm Gate  
Extension



4 x  
Adjuster Bolts



4 x  
Screws



4 x  
Adhesive Pads



4 x  
Adjuster Screws



4 x  
Wall Cups

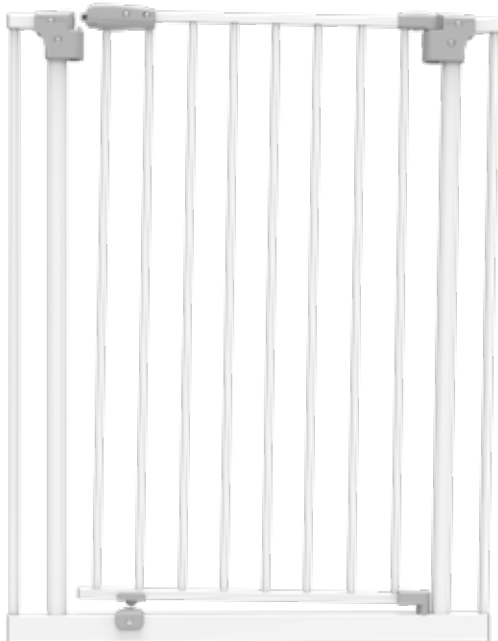


4 x  
Extension Pins

# ● INSTALLATION

## NOTE

Once the gate has been unpacked, you may notice a gap at the door opening. This is normal with pressure mounted gates and the gap will disappear when it is installed correctly.



# ● INSTALLATION

## GATE PLACEMENT

Gate must be installed in a structurally sound opening. Ensure mounting surface (wall, door frame, stair etc.) is strong, rigid and has an even surface.

If using gate on a stairway, it must be placed on the lowest step.

### EXTENSIONS

1. Measure the space to be enclosed. You may need to use extensions.

Gate with no extensions fits:

**75cm - 83cm**

Gate with 1 x 12.7cm extension fits:

**87.5cm - 95.5cm**

Gate with 1 x 25.4cm extension fits:

**100.5cm - 108.5cm**

Gate with 1 x 12.7cm and 1 x 25.4cm extensions fits:

**113cm - 121cm**

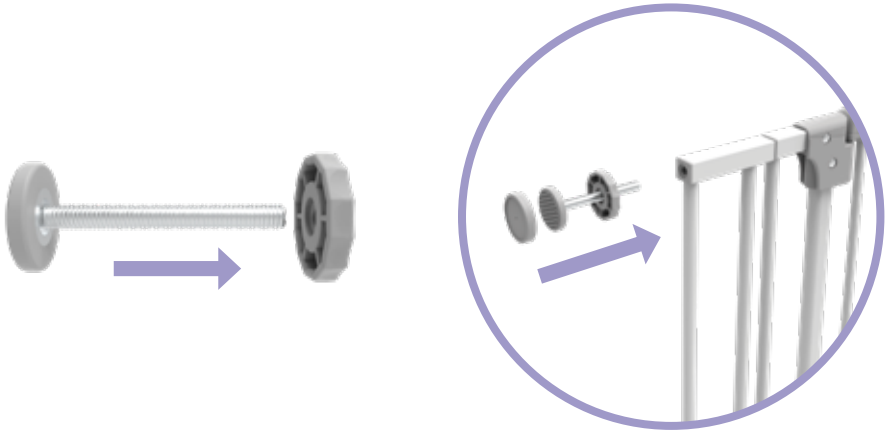
**Note: Only use one extension on each side of gate. If no extensions are required, substitute the Extension Pins with the Adjuster Bolts.**



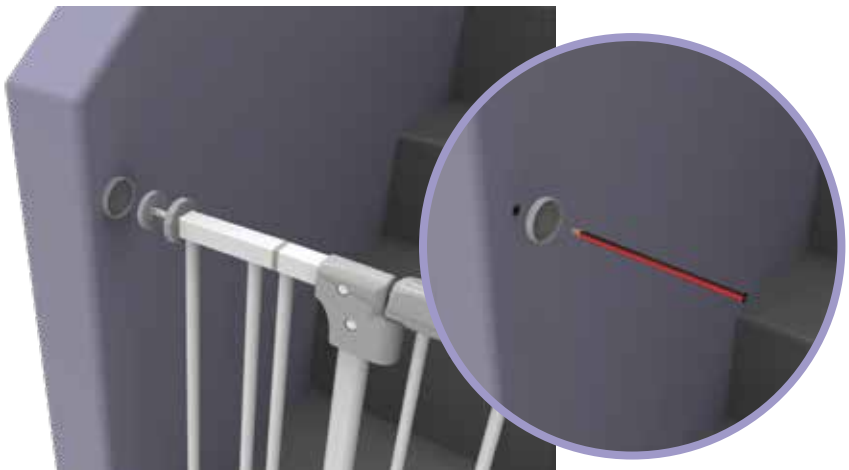
# ● INSTALLATION

## OPENING OR DOORWAY

1. Screw Adjuster Bolts and Adjuster Screws together and then place into mounting holes in each corner of gate.



2. Place gate in the opening and ensure the bottom rail is completely flat on the floor and Wall Cups are directly above each other. Mark the position of each Wall Cup on the wall and/or stair post.

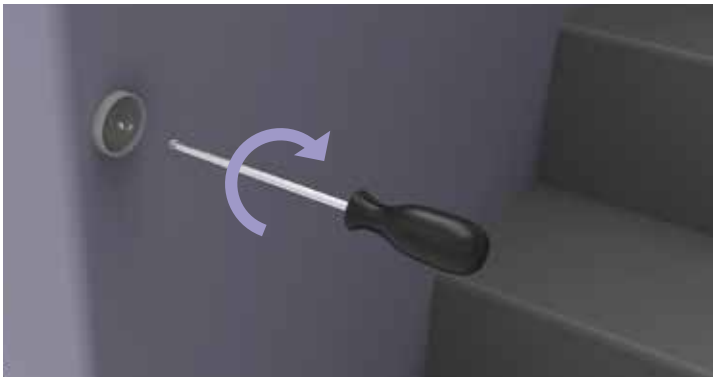
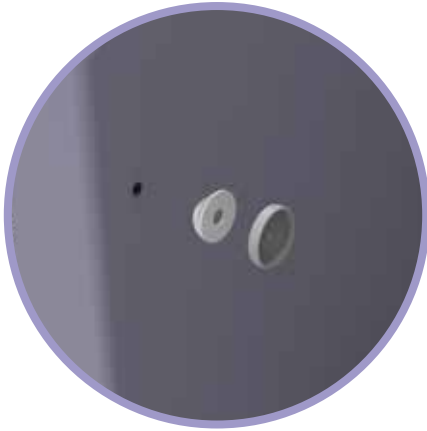


# ● INSTALLATION

## OPENING OR DOORWAY

3. Stick the Wall Cups in position using the Adhesive Pads and then place gate into position.

For added security, fix each cup to the wall using a small Phillips head screwdriver (not included) and the Screws provided.



The gate must only be fixed to a solid and secure surface. If unsure, check with a qualified builder or trades person to ensure that the installation you intend is suitable and safe within the chosen location.



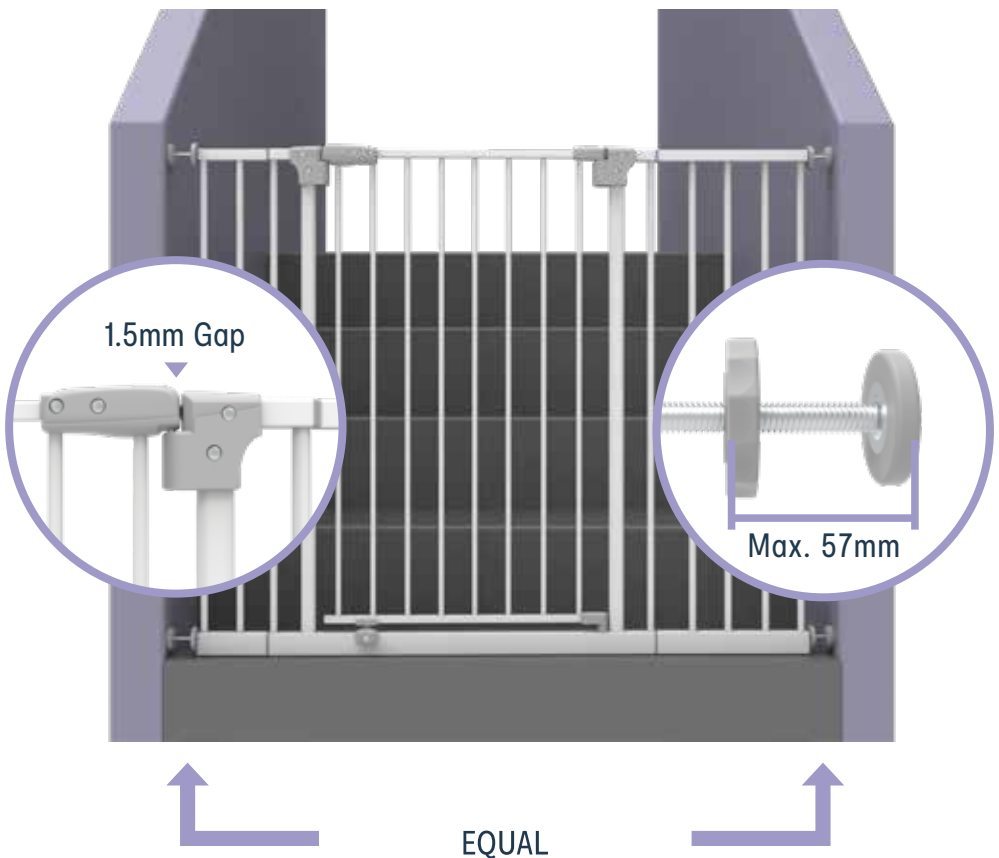
# ● INSTALLATION

## OPENING OR DOORWAY

- Align gate with Wall Cups and tighten Adjuster Screws by turning clockwise, starting with the bottom Adjuster Screws, then tighten the top Adjuster Screws. Tighten equally until there is only a 1.5mm gap in the locking mechanism. Regularly check tension of all Adjuster Bolts and ensure the gate is secure.

**Note: Do not extend Adjuster Bolts more than 57mm.**

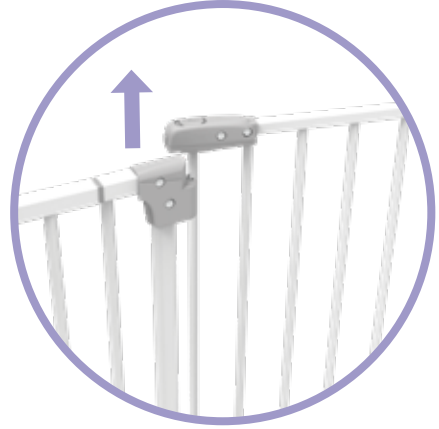
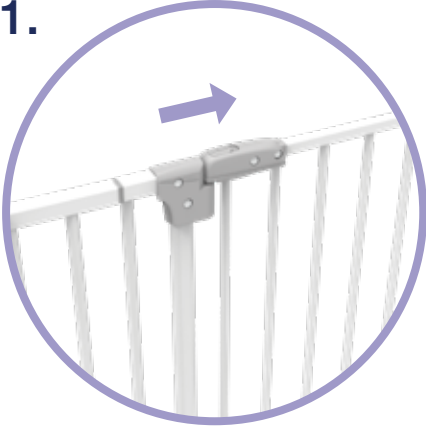
**Note: Do not overtighten.  
Allow 1.5mm gap in the locking mechanism.**



# ● OPERATION

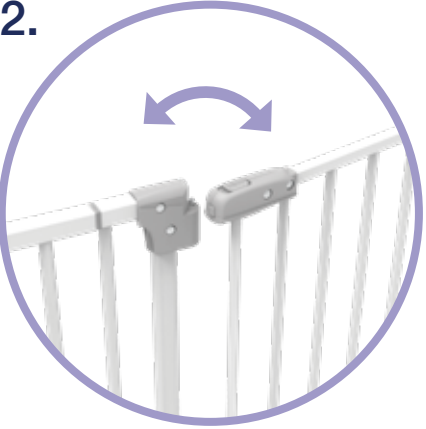
## HOW TO OPEN GATE

1.

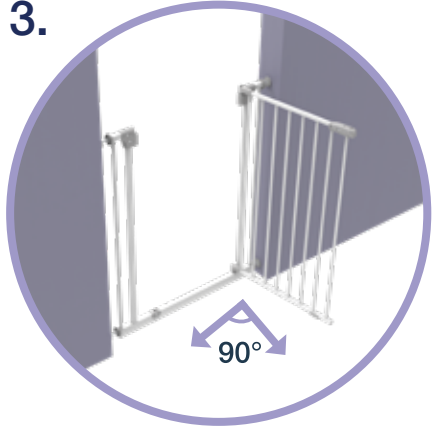


Using one hand, place thumb on the button and grip Gate Panel with fingers. Slide button across and lift Gate Panel simultaneously.

2.



3.



Open gate in either direction. When released, gate will swing closed automatically.

To enable stay open feature, open gate to 90° angle.

**Always check gate is properly closed when in use.**

**Note: If gate is open and excessive pressure is applied, (such as standing or swinging on the gate) structural damage may occur.**

# ● MAINTENANCE

## CARE INSTRUCTIONS

Simply use a soft damp cloth to wipe gate and dry thoroughly after cleaning. Do not use chemicals or abrasive cleaners.



**IMAGES/DRAWINGS IN THE MANUAL ARE FOR VISUAL PURPOSES ONLY. ACTUAL PRODUCT MAY VARY SLIGHTLY. THE MANUFACTURER RESERVES THE RIGHT TO CHANGE ANY SPECIFICATION OR FEATURE WITHOUT PRIOR NOTICE.**

**MADE IN CHINA**

**CUSTOMER SERVICE:**

**KMART AU:** 1800 124 125

**KMART NZ:** 0800 945 995

**TARGET AU:** 1300 753 567

**K:** 43-363-889 | **T:** 68-948-825

**AFTER SALES SUPPORT:**

**AU:** 03 9005 0127 . **NZ:** 0800 945 995

**WWW.CHILDSAFETYHELP.COM.AU**



**SCAN HERE FOR MORE INFORMATION  
ON INSTALLATION OR SPARE PARTS**

**OR VISIT: CHILDSAFETYHELP.COM.AU**