

Instruction Manual

WHITE MULTI SECT SHEL

K:43363919/T:68949891

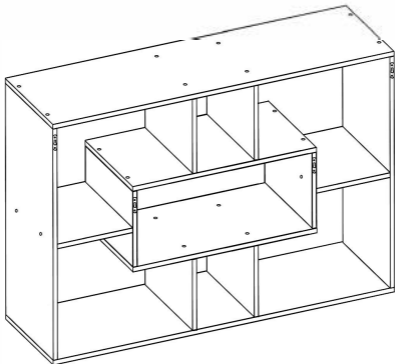
Please read instructions carefully. Be sure you have all parts before you begin to assemble.
Assemble furniture on a clean, flat surface such as carpet to avoid scratching.

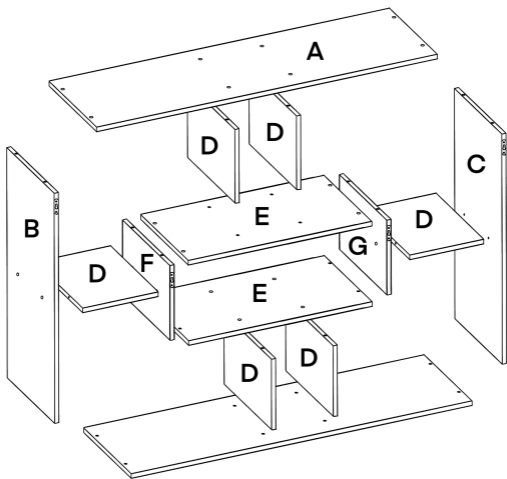
Attention:

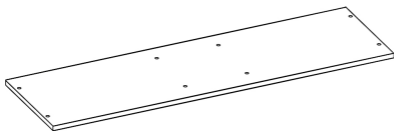
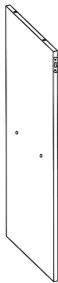
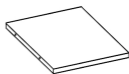
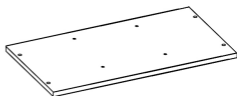
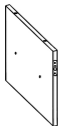
- To ensure easy assembly we advise all fittings be finger tightened during the initial assembly.
- Once the product is assembled all fittings should be fully tightened.
- We recommend a periodic check on all fixingpoints to make sure they remain fully tightened.
- Do not tighten the screws before all screws are in place.

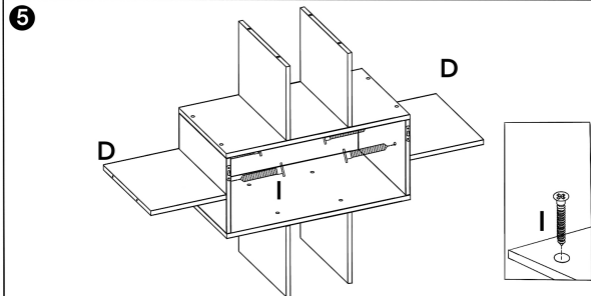
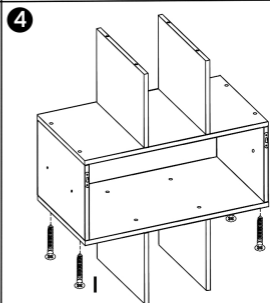
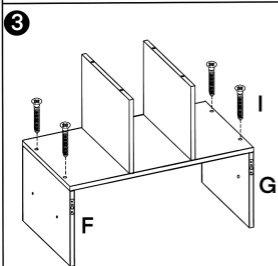
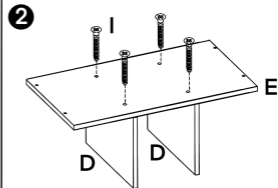
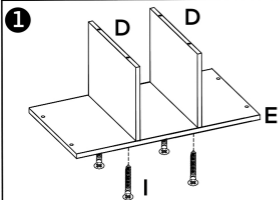
This package contains small parts and sharp points , keep away from children and babies until assembly is complete.

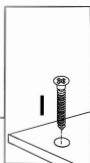
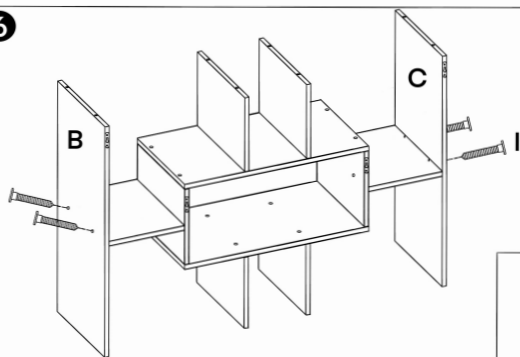
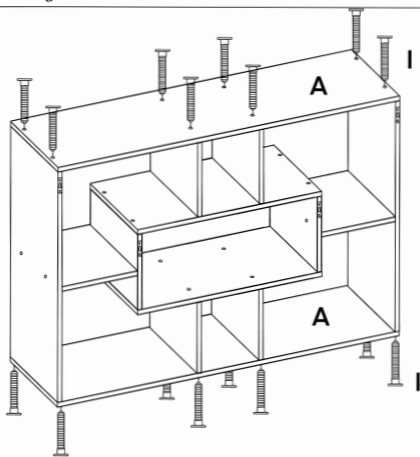
Max safe load limit : 8.4KG for total.

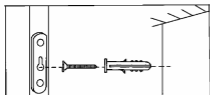




A**x2****B****x1****C****x1****D****x6****E****x2****F****x1****G****x1****H****x4****I****x40**



6**7**

8

Note: There are two installation methods available. (1) Using the two outer mounting points or (2) using the two inner mounting points

