

140 mm

# anko

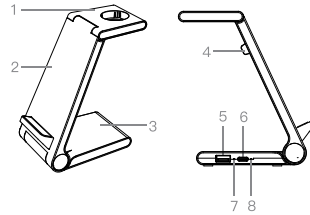
## WIRELESS DESKTOP CHARGER

### User Manual

#### EWL-22112-A

K: 43-367-580 | T: 69-103-346

#### 1. Device Lay-out



1. Holder for magnetic watch charger(sold separately)
2. Charging stand for smartphone
3. Charging pad for earphone
4. Cable routing
5. USB-A output
6. USB-C input
7. Earphone charging indicator light
8. Mobile phone indicator light

#### 2. Includes

- (1) Wireless desktop charger
- (2) USB-C cable
- (3) User manual

#### 3. Technical specifications

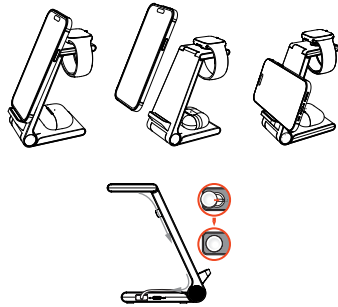
Input: 5V/3A,9V/3A  
 Mobile phone wireless charging output: 15W/10W/7.5W/5W  
 (Wireless charging at 15W is only applicable to some devices)  
 Earphone wireless charging output: 5W  
 USB-A output: 5W  
 Total maximum output: 22W  
 Transmission distance: ≤6MM  
 Charging efficiency: ≤75%

#### 4. LED Color indication

- (1) Standby: Blue-red flashes 2 seconds, the red light stays on
- (2) On charging: Blue light stays on  
(No indicator light when using USB-A output)
- (3) Fully charged: Red light stays on
- (4) Foreign Object Detection: Blue-red flashes

#### 5. Operating Instruction

- (1) Connect the wireless charger to an outlet with an 5V/3A/ 9V/3A adapter (not included), and the LED lights on.
- (2) To ensure efficient charging, a complicant charger is required. Only 5W output if using a 5V/2A charger.
- (3) To achieve fast wireless charging, a QuickCharge 2.0 or above USB power adapter will be required(sold separately).
- (4) **Mobile Phone Charging** Place your phone on the charging stand. It will indicate when charging begins.  
**Watch Charging** Plug the Watch charging cable into the USB-A port. Place your watch on the designated charging area to start charging.  
**Earphone Charging** Place your wireless charging case on the charging pad. It will indicate when charging begins.



Front

118 mm

#### 6. Notes

- (1) Do not disassemble or throw into fire or water, to avoid damage.
- (2) Do not use wireless charger in severely hot, humid or corrosive environments, to avoid circuit damage and occurs leakage phenomenon.
- (3) Do not place too close with magnetic stripe or chip card (ID card, credit cards, etc.) to avoid magnetic failure.
- (4) Please keep the distance at least 30cm between implantable medical devices (pacemakers, implantable cochlear, etc.) and the wireless charger, to avoid potential interference with the medical device.
- (5) To take care of the children, to ensure that they won't play the wireless charger as a toy.
- (6) Some phone case may affect the charging performance. Ensure there is no any metal object between your phone cases or try to take it off before charging.

The wireless charging efficiency may be affected by some phone cases.

Make sure there is no mental foreign object between the charging pad and phone case when charging.

#### \* 12 Month Warranty

Thank you for your purchase.

Your new product is warranted to be free from defects in materials and workmanship for the period stated above, from the date of purchase, provided that the product is used in accordance with accompanying recommendations or instructions where provided. This warranty is in addition to your rights under the Australian Consumer Law.

For New Zealand customers, this warranty is in addition to statutory rights observed under New Zealand legislation.

We will provide you with your choice of a refund, repair (where possible) or exchange (availability dependent) for this product if it becomes defective within the warranty period. The business will bear the reasonable expense of claiming the warranty.

This warranty will no longer apply where the defect is a result of alteration, accident, misuse, abuse or neglect.

Please retain your receipt as proof of purchase and contact our Customer Service Centre as listed below, for the entity you purchased this product from, for any difficulties with your product. Warranty claims and claims for expense incurred in returning this product can be addressed to the respective Customer Service Centre.

Our goods come with guarantees that cannot be excluded under the Australian Consumer Law. You are entitled to a replacement or refund for a maior failure and compensation for any other reasonably foreseeable loss or damage.

You are also entitled to have the goods repaired or replaced if the goods fail to be of acceptable quality and the failure does not amount to a maior failure.

Contact for Kmart purchases	Contact for Target purchases
Kmart Australia Ltd. C/- Customer Service Centre 690 Springvale Road, Mulgrave Vic 3170 Customer Service: 1800 124 125 (Australia) or 0800 945 995 (New Zealand) or via Customer Help at kmart.com.au	Target Australia Pty Ltd C/- Customer Service Centre 2 Kendall Street, Williams Landing. Vic,3027 Customer Service: 1300 753 567 or via Customer Help at target.com.au/help/contact-us

Back