

anko

**Portable USB Food Processor
42930A-1
User Manual**



**PLEASE READ AND SAVE THESE
INSTRUCTIONS FOR FUTURE
REFERENCE**

IMPORTANT SAFEGUARDS

When using electrical appliances, basic safety precautions should always be followed, including the following:

READ ALL INSTRUCTIONS

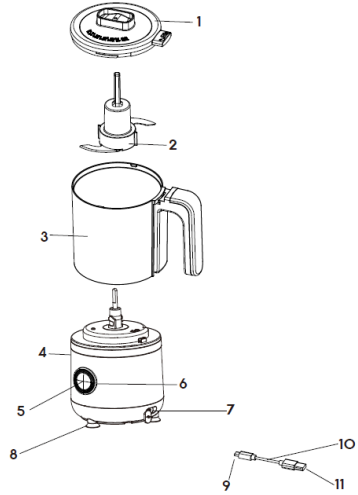
1. This appliance is not intended for use by persons (including children) with reduced physical, sensory or mental capabilities, or lack of experience and knowledge, unless they have been given supervision or instruction concerning use of the appliance by a person responsible for their safety.
2. Children should be supervised to ensure that they do not play with the appliance.
3. Do not operate if the appliance is damaged.
4. Don't chop with liquid.
5. Keep hands and utensils away from the cutting blade while chopping food to reduce the risk of severe injury to persons or damage to the food processor. A scraper may be used but only when the food processor is not running.
6. Do not attempt to defeat the cover interlock mechanism.
7. Do not put the appliance, including USB cable in water or other liquid. See "Care and Cleaning" section.
8. Close supervision is necessary when this appliance is used near children.
9. Unplug and switch off the appliance before use, putting on or taking off parts, and before cleaning the appliance.
10. Avoid contacting moving parts.
11. **WARNING: Do not immerse the motor base in any water or any liquid.**
12. **WARNING: Beware of potential injury from misuse. Care should be taken when handling, assembling, and cleaning blade holder with sharp blades.**
13. This appliance is intended for processing small quantities of food for immediate consumption. Please do not prepare food over maximum quantities.
14. The appliance is intended to be used in household and similar applications such as:
 - staff kitchen areas in shops, office and other working environments,
 - farmhouses,
 - by clients in hotels, motels and other residential type environments,
 - bed and breakfast type environments.
15. Do not allow children access to the plastic packaging bags and other components of the packing. They may be potentially dangerous to children.
16. **CAUTION: Blades are sharp. Please handle with care.**

17. To reduce the risk of injury, never place the cutting blade on the base without first installing the cup properly.
18. Be certain that the cup, blade and lid are securely locked in place before operating the appliance.
19. Never remove parts from the appliance such as screws.
20. Do not use the appliance with overload quantities of food.
21. Do not place the appliance in microwave oven or refrigerator.
22. Potential injury from misuse.
23. The appliance must be used with extra low voltage power source corresponding to the making on the appliance.
24. For operating time, please refer to section “USING YOUR PRODUCT” and “FOOD RECIPE”.
25. For charging, please refer to section “Charging Food Processor”.

**SAVE THESE INSTRUCTIONS
FOR HOUSEHOLD USE ONLY**

KNOW YOUR PRODUCT

1. Lid
2. Blade holder
3. Chopping cup
4. Base
5. ON/OFF button
6. Indication light ring
7. Charging port and cover
8. Anti-slip feet
9. Base plug end
10. Type-C USB cable
11. USB plug end



BEFORE FIRST USE

1. Unpack the appliance and all attachments carefully. Blades are very sharp. Handle carefully when inserting, removing, or cleaning the blades.
2. Ensure you have all parts and accessories before discarding packaging.
3. Wash the lid, chopping cup and blade holder in warm water.
4. Wipe off the motor base with a slightly damp cloth. Then wait until all parts are dry.
5. Do not use harsh detergents or abrasives materials to clean any of the parts/housing.
6. Please make sure the appliance is fully charged before use.

Charging Food Processor

1. We recommend fully charging the food processor before first use. Remove charging port cover and insert base plug into charging port. Plug USB plug end into a USB plug adapter and then plug into a power outlet.
2. Charge time will vary depending on your charger. A USB power source with 5Vd.c. 2A rated output will take a maximum of 4 hours.
3. Only use USB Cable provided with the food processor.

Battery status indication light ring guide

During charging process, the color of indicator light ring will show the current battery level. When the color is blinking red, the battery is 0-20% full; when the color is blinking purple, the battery is 21%-89% full; when color is blinking green, the battery is 90%-99% full; when the battery 100% full, the color will be steady green.

USING YOUR PRODUCT

1. Place the base on a flat surface and assemble the lid, blade and chopping cup correctly. You can hear “click” while the lid is firmly attached to the chopping cup and the chopping cup is firmly attached to the base.
2. Pour fresh crushed fruit, vegetables, meat, and other foods into the chopping cup and close the lid. Do not exceed the maximum load (Maximum load quantity is 200g).
3. Hold ON/OFF button for more than 2 seconds, the indication light becomes white color and appliance will switch to standby mode.
4. Choose CHOP or PULSE mode to crush food.

CHOP: Hold ON/OFF button for more than 2 seconds again. The indication light ring will change colour to show the battery status, and the appliance will switch to CHOP mode. The motor will turn ON and the appliance will start to chop the food.

PULSE: Press and release ON/OFF button quickly to use pulse function. The indication light ring will change colour to show the current battery status. The motor will switch to PULSE mode and the appliance is ready to crush food.

5. The automatic working time is 20 seconds for **CHOP** mode. The appliance will stop working when time is over. During working process in CHOP mode (within 20 seconds), press ON/OFF button 1 time and the appliance will stop working.
6. When using **PULSE** mode, press and hold the ON/OFF button and release the ON/OFF button to stop.

Note: If there is no function is selected after appliance is in standby mode, the appliance will turn off automatically after 60 seconds.

Note: If the battery is completely drained, the appliance will not function. The indication light ring will flash 6 times in red color to remind to recharge the appliance.

TIPS

1. If the appliance keeps turning off, battery power is likely to be low. Please follow the charging instructions to charge. Alternatively, if the appliance has been used continuously for 20 seconds, it will automatically shut off. If the cumulative working time of appliance has been 60 seconds, please let the appliance cool down for another minute before continuing to use this product.
2. Process up to 200g of food at a time. Please be careful not to over-process. If larger pieces are desired, process in several small batches.
3. If food is not chopped into even sized pieces, remove some of it from the bowl and process smaller quantities at a time.
4. If food is stuck and jammed the blade and stopped it from rotating, turn off the motor unit and carefully disassemble the food processor. Remove any excess food from around the blade and where the blade attaches to the cup.

5. Do not attempt to process extremely hard food which is difficult to cut with a kitchen knife.
6. Remove bones, pits, and hard shells before processing to avoid damage to the unit.
7. The appliance will not operate unless the extended lid locking tab is correctly inserted into the lid locking slot. Please do not open the lid until the blades have stopped.
8. The appliance will not operate when the chopping cup is not inserted correctly to the base.
9. It is recommended to operate your food processor with at least 20% battery.

TROUBLESHOOTING AND SOLUTION

Appliance temperature abnormal protection

During the working process (or charging), the appliance will start the protection function if temperature is abnormal. The indicator light ring will flash in purple color 2 times and the appliance will stop working (or stop charging). You should stop operating (or charging) the appliance and let it cool down for at least 30 minutes.

Appliance works abnormally.

During the working process, if the load is too large (e.g. the blades are stuck with food), the appliance will start the protection function. The indication light ring will flash 4 times and the appliance will stop working. You should turn off the appliance, remove stuck-on food if it is stuck OR reduce the food quantity if it is overloaded.

Appliance does not operate.

Battery may be low. Check the battery level by the color of indication light ring. Charge the appliance with recommended charger. Follow the charging instructions in the previous section of the manual.

CARE AND CLEANING



Electrical shock Hazard.

Disconnect power before cleaning. Do not immerse USB cable or base in any liquid.

1. Unplug USB cable from the unit. Make sure the indicator light is off.
2. Remove any excess food from the chopping cup and disassemble the unit. Carefully wash the lid, blade and cup in warm soapy water, rinse and dry the lid, blade and cup. They can be placed on the top shelf of your dishwasher.
3. Clean exterior of motor base with a soft damp cloth and dry.

FOOD RECIPE

Ingredients	Max. quantity	Procedure
Beef (raw)	200g	Cut into 20 mm x 20 mm x 20 mm and add it in the cup, chop it for 15 seconds and rest for 1 minute and commence next cycle, if necessary, until desired chop is achieved.
Almonds	200g	Add it in the cup, chop it for 15 seconds and rest for 1 minute and commence next cycle, if necessary, until desired chop is achieved.
Carrots (raw)	200g	Cut into 15mm x 15mm x 15mm and add it in the cup, chop it on for 15 seconds and rest for 1 minute and commence next cycle, if necessary, until desired chop is achieved.
Onion	200g	Cut into 20 mm x 20 mmx 20mm and add it in the cup, chop it on for 15 seconds and rest for 1 minute and commence next cycle, if necessary, until desired chop is achieved.

TECHNICAL DATA

Model: 42930A-1

Input: 5Vd.c. 2A

Rated Power: 100W.

Battery capacity: 1500mAh

Press ON/OFF button with PLUS/CHOP function.

Battery status indication light ring: Red/Purple/green indication light ring, showing the current charge level of battery when working or charging.

This product is an electronically controlled, rechargeable portable food processor. It has an ON/OFF button, and can be used to crush fruits, vegetables, meat and other soft foods.

DISPOSAL AND RECYCLING



This product must not be disposed together with domestic waste.

This product must be disposed of at an authorised recycling location for electrical and electronic appliances found in your local area. If unsure check with the local council waste management.

- The battery must be removed from the appliance before it is scrapped:
- The appliance must be disconnected from the supply mains when removing the battery.
- The battery must be disposed/recycled responsibly.

12 MONTH WARRANTY

Thank you for your purchase.

Your new product is warranted to be free from defects in materials and workmanship for the period stated above, from the date of purchase, provided that the product is used in accordance with accompanying recommendations or instructions where provided. This warranty is in addition to your rights under the Australian Consumer Law.

For New Zealand customers, this warranty is in addition to statutory rights observed under New Zealand legislation.

We will provide you with your choice of a refund, repair (where possible) or exchange (availability dependent) for this product if it becomes defective within the warranty period. The business will bear the reasonable expense of claiming the warranty.

This warranty will no longer apply where the defect is a result of alteration, accident, misuse, abuse or neglect.

Please retain your receipt as proof of purchase and contact our Customer Service Centre as listed below, for the entity you purchased this product from, for any difficulties with your product. Warranty claims and claims for expense incurred in returning this product can be addressed to the respective Customer Service Centre.

Our goods come with guarantees that cannot be excluded under the Australian Consumer Law. You are entitled to a replacement or refund for a major failure and compensation for any other reasonably foreseeable loss or damage. You are also entitled to have the goods repaired or replaced if the goods fail to be of acceptable quality and the failure does not amount to a major failure.

Contact for Kmart purchases	Contact for Target purchases
Kmart Australia Ltd. C/- Customer Service Centre 690 Springvale Road, Mulgrave Vic 3170 Customer Service: 1800 124 125 (Australia) or 0800 945 995 (New Zealand) or via Customer Help at kmart.com.au	Target Australia Pty Ltd C/- Customer Service Centre 2 Kendall Street, Williams Landing, Vic, 3027 Customer Service: 1300 753 567 or via Customer Help at target.com.au/help/contact-us