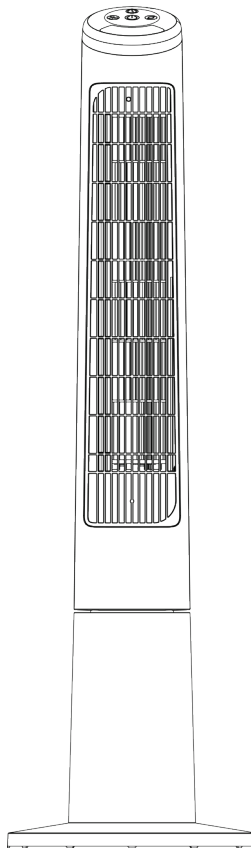


anko

Tower Fan User Manual




Model No.: HEGTF102
Rev 2

Note: The specifications and/or components of this appliance are subject to change without prior notice.

1	Safety Instructions	3
2	Components	5
3	Getting to know your Tower Fan	6
5	Instructions for Use	8
5.1	Remote Control	8
5.2	Control Panel	9
5.3	Fan Only	10
5.4	Fan + Swing	10
5.5	Auto-Off Timer	11
6	Care and Cleaning	11
7	Storage	11
8	Warranty Against Defect	12

1 Safety Instructions

When using electrical appliances, basic safety precautions should always be followed, including the following:

- Carefully read this instruction manual before using the appliance. 
- Keep the appliance out of reach of young children and pets.
- This appliance is not intended for use by persons (including children) with reduced physical, sensory or mental capabilities, or lack of experience and knowledge unless they have been given supervision or instruction concerning the use of the appliance by a person responsible for their safety.
- Children should be supervised to ensure that they do not play with the appliance.
- Ensure children and babies do not play with plastic bags or any packaging materials.
- Do Not disassemble the appliance. There are no user-serviceable parts inside.
- **VERY IMPORTANT:**
Ensure that the appliance does not get wet (water splashes etc.).
Do not use the appliance with wet hands.
Do not immerse the appliance in water or other liquids or use it near sinks, baths or showers.
- Always operate the appliance from a power source of the same voltage, frequency and rating as indicated on the product identification plate.
- Position the power supply lead properly so that they will not be walked on or pinched by items placed on or against them.
- Use the appliance only for its intended use. This Appliance is intended for household use only and not for commercial or industrial use.
- Do not use the appliance if it has been dropped or any part of the appliance (including cord or plug) has been damaged.
- If the supply cord is damaged, it must be replaced by the manufacturer, its service agent or similarly qualified persons in order to avoid a hazard.
- The use of accessories not intended for use with this appliance may cause injuries to the user or damage to the appliance.
- Do not install the unit on other appliances, on uneven surfaces or where it could be subject to: heat sources (e.g., radiators or stoves), direct sunlight, excessive dust or mechanical vibrations.
- Appliance should not be used outdoors or exposed to weather.
- Do not install near any heat sources such as radiators, heat registers, stoves, or other apparatus that produce heat.
- Do not hang or wall-mount the appliance.

- Do not operate appliance underneath or near flammable or combustible materials (e.g., curtains). Keep at least 300mm clearance around sides, back, front and top.
- Do not allow curtains, drapes or any other items to drape across the appliance or openings.
- Unplug this appliance during lightning storms or when unused for long periods of time.
- Do not block any ventilation openings.
- Never insert fingers or any other objects through the fan guard and ventilation openings.
- Do not use the product in oily or dirty areas (i.e., the kitchen, smoky place, etc), as the air vents may become blocked.
- Turn off and unplug before cleaning or storing.
- For cleaning, refer to the section “Care and Cleaning” in this instruction manual.
- Any type of servicing, apart from ordinary cleaning, must be carried out by a qualified electrical person only. There are no user-serviceable parts in this appliance.
- If this appliance is used by a third party, please supply the instruction manual with it.
- Do not misuse the cord. Never carry the appliance by the cord or pull it to disconnect it from the outlet. Instead, grasp the plug and pull to disconnect.
- Do not insert or allow foreign objects to enter the grille openings as this may cause damage to the appliance and/or injury to the user.
- No liability can be accepted for any damage caused by non-compliance with these instructions or any other improper use or mishandling of the appliance.

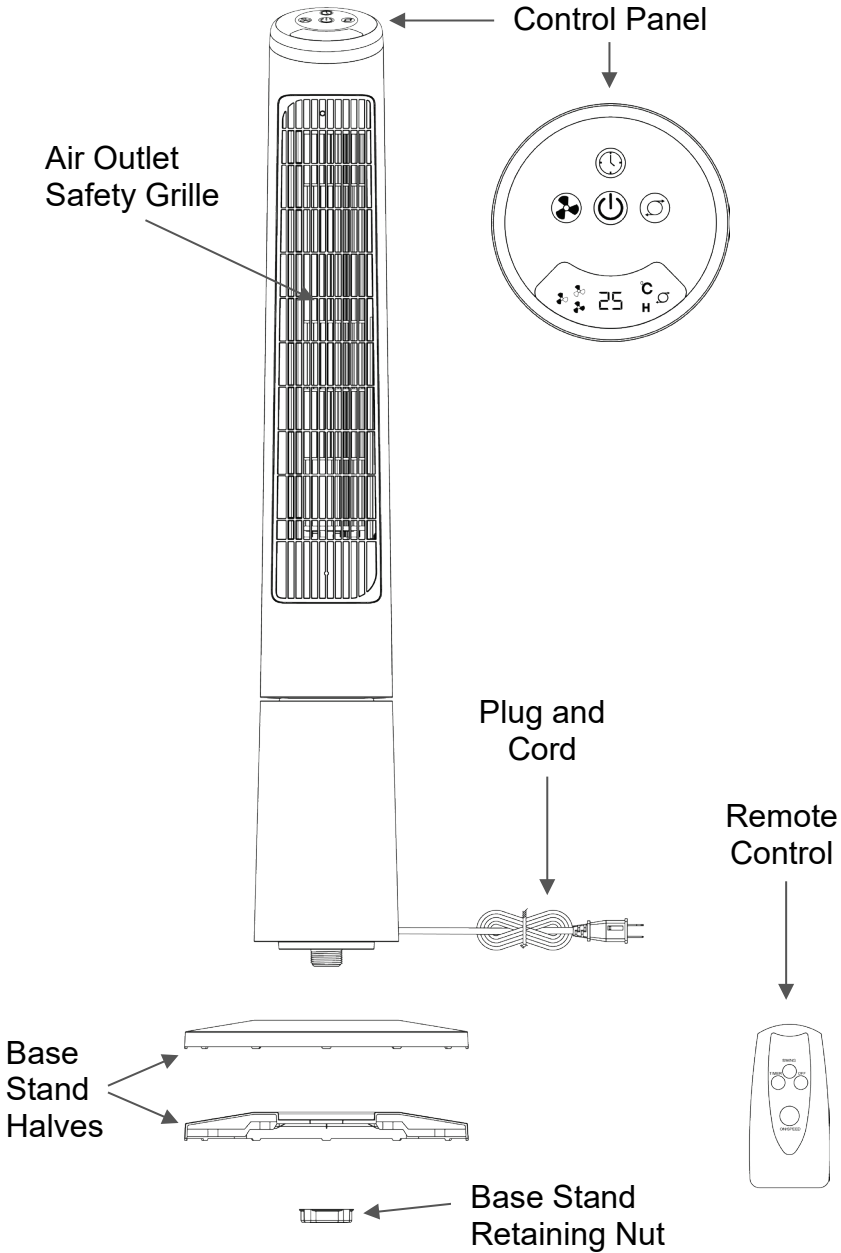
Additional Safety Instructions

If using an extension cord:

- The technical specifications of the extension cord must match or exceed the technical specifications of this appliance.
- Do not allow the cord to hang over the edge of the work surface or to come into contact with stoves or other hot surfaces.
- If the cord or plugs are worn or damaged, do not use.
- Unplug from the power socket by grasping the plug body - Do Not pull on the cord.

Read and Save These Instructions

2 Components



Note: 2 x AAA batteries for the Remote Control are not included.

3 Getting to know your Tower Fan

Congratulations on the purchase of your new Tower Fan.

Before first using your new Tower Fan, it is most important that you read and follow the instructions in this booklet, even if you feel you are familiar with this type of appliance.

Your attention is drawn particularly to the section "SAFETY INSTRUCTIONS".

Find a safe and convenient place to keep this booklet handy for future reference.

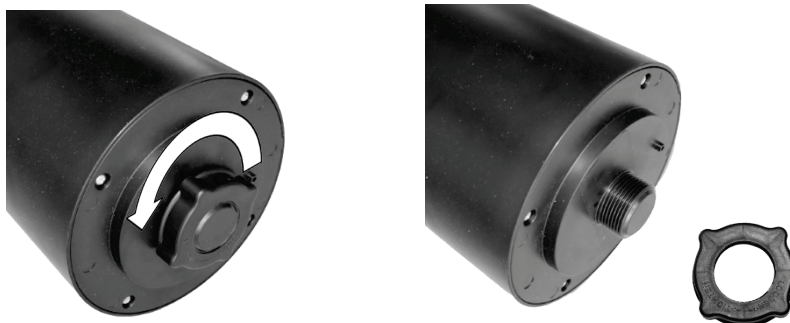
4 Before First Use

Before use, some assembly is required as follows:

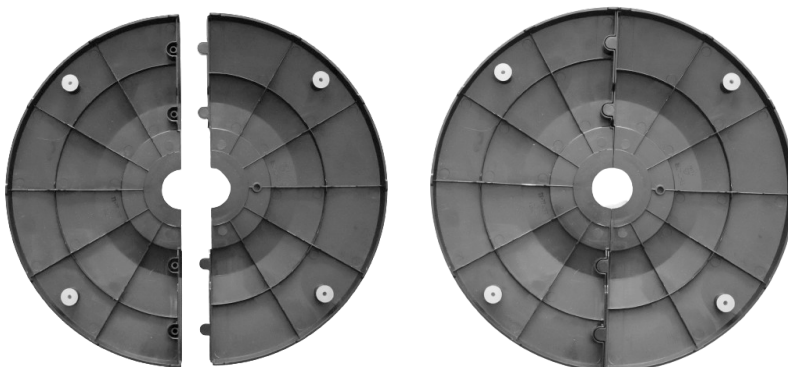
CAUTION: Ensure the product is fully assembled before plugging it into an electrical outlet.

Assemble the Base to the bottom of the Tower Fan as follows:

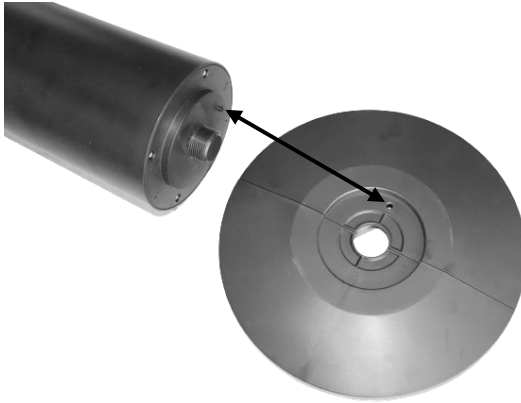
1. Tip the fan over and unscrew the plastic retaining nut from the threaded section by unscrewing anticlockwise.



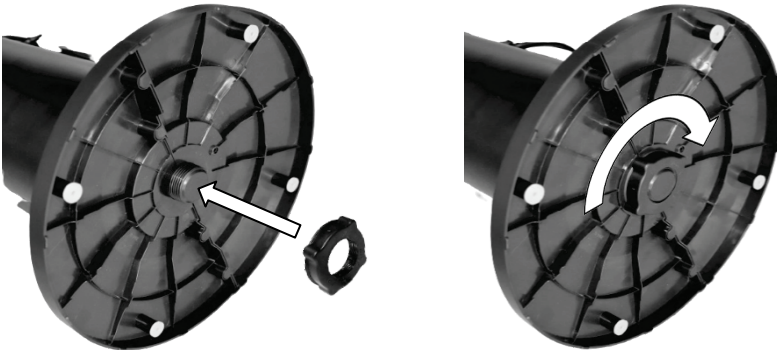
2. Take the two Base halves and clip them together as shown,



3. Fit over the threaded part on the bottom of the fan ensuring the location pin aligns with the hole in the base.



4. Then screw on the retaining nut and tighten it clockwise, then stand the fan upright on its base.



5. The Fan is now ready to use.

5 Instructions for Use

5.1 Remote Control

Note: Battery Type: “1.5V 2 x AAA” are not included.

The Fan comes with a remote control for your convenience.

The functions on the remote control are the same as the buttons on the Tower Fan.



- To install or remove the batteries, remove the back of the remote control by pressing down on the Thumb Grip, then sliding the battery cover down and lift off as shown.



- Insert the batteries inside the battery compartment matching polarity icons (+ and -) with those marked inside the battery compartment.

Place the flat “-“ end of the battery on the spring, push down on the spring and at the same time, push the top “+“ end of the battery into the remote control. Repeat for the other battery and then refit the cover securely by sliding it back on until it clips shut.

- To remove the batteries, using your fingernail or a plastic tool, pry the batteries out by pushing from the top (+ end) of the battery and then swing out as shown.



IMPORTANT:

Do Not mix new and old batteries or batteries of different types (e.g., Alkaline with Non-Alkaline) in the remote control.

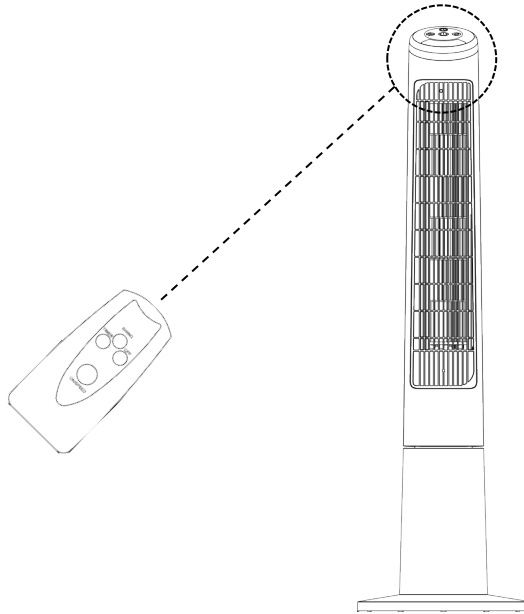
To prevent corrosion, remove the batteries if the remote control will not be used over a lengthy period.

Non-rechargeable batteries are not to be recharged.

Exhausted batteries are to be removed from the remote control and safely disposed of.

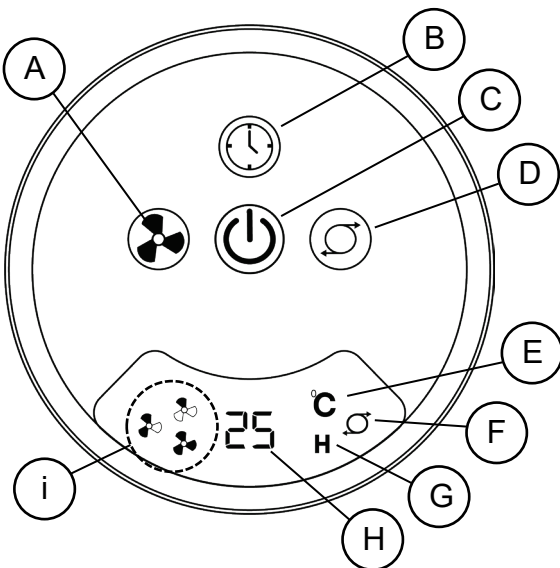
The battery supply terminals are not to be short-circuited.

- Point the Remote Control at the front of the Tower Fan control panel as this is the location of the receiver, then press your desired button.



Important: Always operate the product on a flat, level, steady, and stable surface to avoid it overturning.

5.2 Control Panel




A	Fan Speed Button
B	Auto Off Timer Button
C	On / Off Button
D	Swing Button (on or off)
E	Temperature Scale
F	Swing Indicator (on or off)
G	Auto Off Indicator (on or off)
H	Temperature Display
i	Fan Speed Indicators


5.3 Fan Only








- Insert the plug into a standard electrical power point and switch on at the power point.

A beep sound will be heard and the Temperature Display will illuminate displaying the current room temperature in Degrees Celsius.


- Press the “” button on the control panel, or the ON/SPEED button on the remote control to turn the fan on.

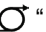
For the first time turning on after power has been disconnected, the Fan will start in default mode “High” fan level.


This is the default setting indicated by the fan speed indicator “” illuminating on the control panel.

- To decrease the fan speed, press the “” button on the control panel, or the ON/SPEED button on the remote control and the fan will decrease speed to the “Medium” setting indicated by the fan speed indicator “” illuminating on the control panel.
- To decrease the fan speed further, press the “” button on the control panel or the ON/SPEED button on the remote control and the fan will decrease speed to the “Low” setting indicated by the fan speed indicator “” illuminating on the control panel.
- Press the “” button on the control panel, or the ON/SPEED button on the remote control again, and the speed will cycle back around to “High” fan speed indicated by the fan speed indicator “” illuminating on the control panel.
- To Turn Off, press the “” button on the control panel, or the Off button on the remote control.

5.4 Fan + Swing


- With the Fan already in use, press the “” button on the control panel, or the “SWING” button on the remote control to start the Tower swinging (Oscillating) side to side.

The indicator light “” will illuminate indicating the fan is in Swing Mode.

- To turn Off the Swing, or to stop the fan swinging in a set position, press the “” button on the control panel, or the “SWING” button on the remote control.




5.5 Auto-Off Timer

Use this power-saving feature if you want the appliance to turn off automatically.

To select the Off time, press the “” button on the control panel, or the “TIMER” button on the remote control once.

It will advance to 1H as indicated by the number 1 illuminating and the “H” illuminating on the control panel. The Fan will turn off after approximately 1 hour.

Note: The display will return to the Temperature display after approximately 5 seconds

- Each consecutive press of the “” button on the control panel, or the “TIMER” button on the remote control will advance the timer in 1-hour increments until it reaches a maximum time of 12H.
- To turn the timer off, or to reset to a new time, continue to press the “” button on the control panel, or the “TIMER” button on the remote control until it cycles back around where no time lights are illuminated – One step past 12H.
- Press the “” button on the control panel, or the OFF button on the remote control to turn the appliance off.

6 Care and Cleaning

- Turn off and unplug the unit prior to cleaning.
- Clean the body with a clean, damp cloth and wipe dry.
- Never spray with liquids or submerge the Fan in water or any other liquid.
- Do not use flammable liquids, chemicals, abrasive creams, steel wool or scouring pads for cleaning.

7 Storage

- Switch off and unplug the unit.
- The Power Cord can be coiled and stored in the base of the Tower fan. Do not kink or pull the cable tight.
- Store in a cool dry well-ventilated area.

8 Warranty Against Defect

12 Month Warranty

Thank you for your purchase.

Your new product is warranted to be free from defects in materials and workmanship for the period stated above, from the date of purchase, provided that the product is used in accordance with accompanying recommendations or instructions where provided. This warranty is in addition to your rights under the Australian Consumer Law. For New Zealand customers, this warranty is in addition to statutory rights observed under New Zealand legislation.

We will provide you with your choice of a refund, repair (where possible) or exchange (availability dependent) for this product if it becomes defective within the warranty period. The business will bear the reasonable expense of claiming the warranty. This warranty will no longer apply where the defect is a result of alteration, accident, misuse, abuse, or neglect.

Please retain your receipt as proof of purchase and contact our Customer Service Centre as listed below, for the entity you purchased this product from, for any difficulties with your product. Warranty claims and claims for expenses incurred in returning this product can be addressed to the respective Customer Service Centre.

Our goods come with guarantees that cannot be excluded under the Australian Consumer Law. You are entitled to a replacement or refund for a major failure and compensation for any other reasonably foreseeable loss or damage. You are also entitled to have the goods repaired or replaced if the goods fail to be of acceptable quality and the failure does not amount to a major failure.

Contact for Kmart purchases	Contact for Target purchases
Kmart Australia Ltd. C/- Customer Service Centre, 690 Springvale Road, Mulgrave Vic 3170 Customer Service: 1800 124 125 (Australia) or 0800 945 995 (New Zealand) or via Customer Help at kmart.com.au	Target Australia Pty Ltd. C/- Customer Service Centre, 2 Kendall Street, Williams Landing, Vic, 3027 Customer Service: 1300 753 567 or via Customer Help at target.com.au/help/contact-us

IMPORTANT! For all technical queries or difficulties in operating the product and for spare parts, contact H.E. Group customer service 1300 105 888 (Australia) and 09 8870 447 (New Zealand).