

INSTRUCTIONS

AIR-DRY CLAY - DINOSAUR SAFARI

SUPPLIES INCLUDED

- Flat pack dinosaur safari truck
- Flat pack palm tree
- Flat pack crate box
- 2 x sculpting tools
- Flat pack explorer
- 5 x bags of air-dry clay

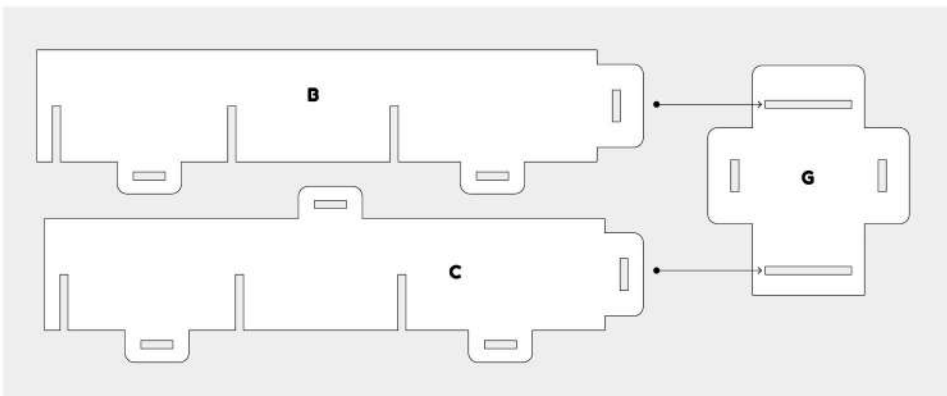
BEFORE YOU BEGIN.

- Adult supervision and assistance may be required.
- Cover working surface with a cloth.
- Carefully pop out die cut pieces from flat pack sheets.

HOW TO ASSEMBLE THE SAFARI TRUCK

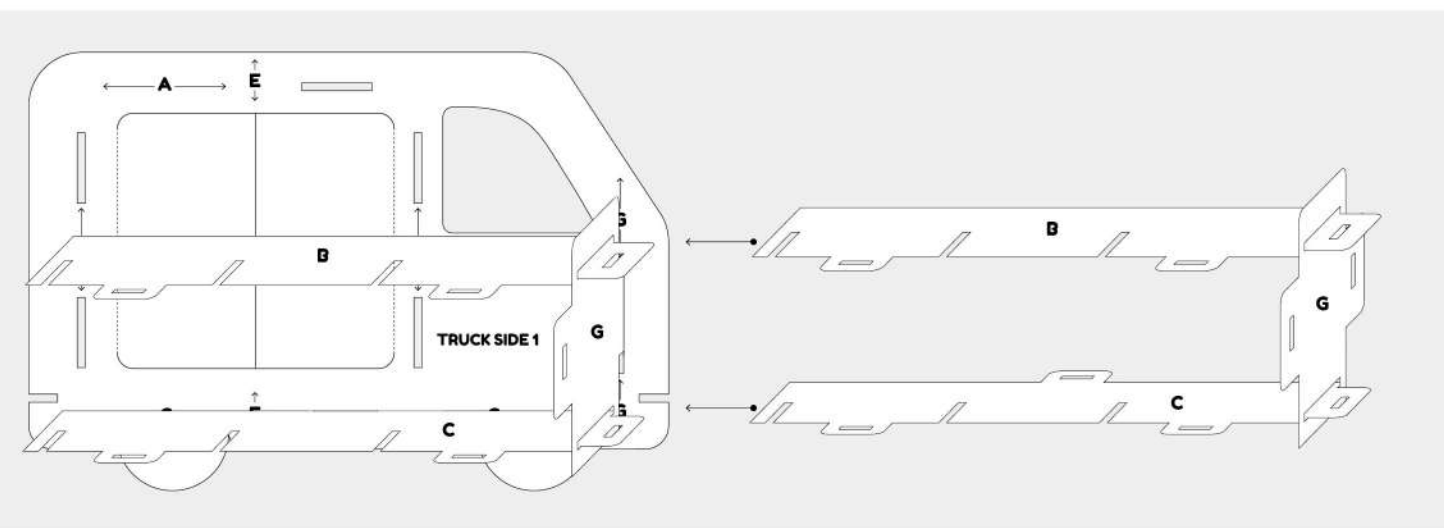
STEP 1

Insert pieces B and C into piece G.



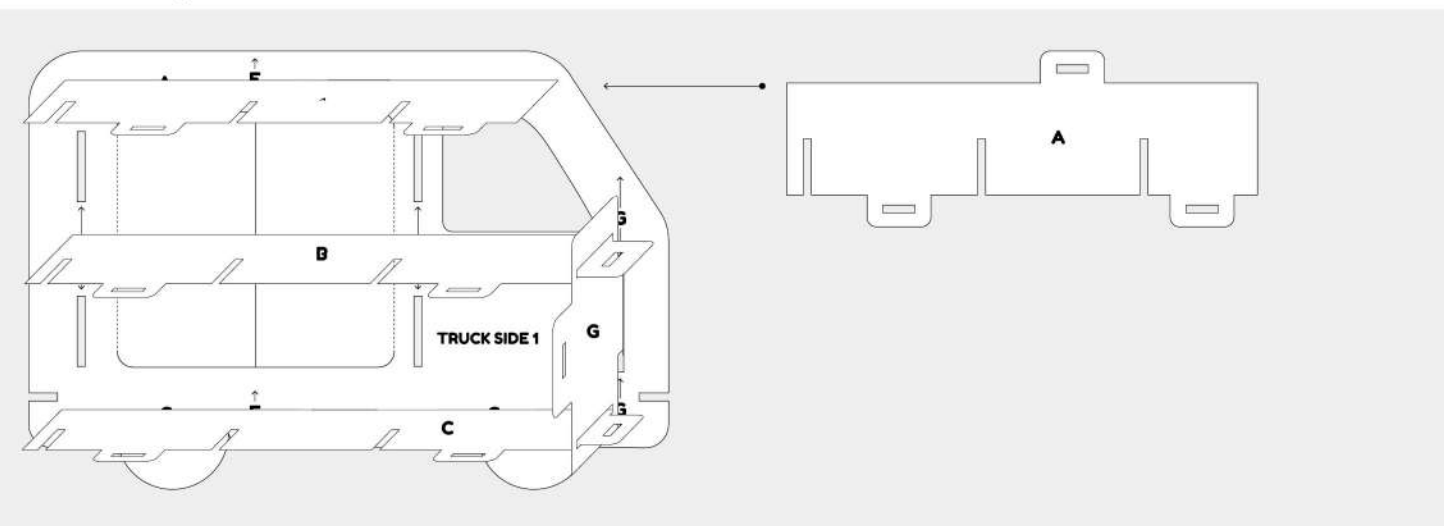
STEP 2

Insert into truck side 1.



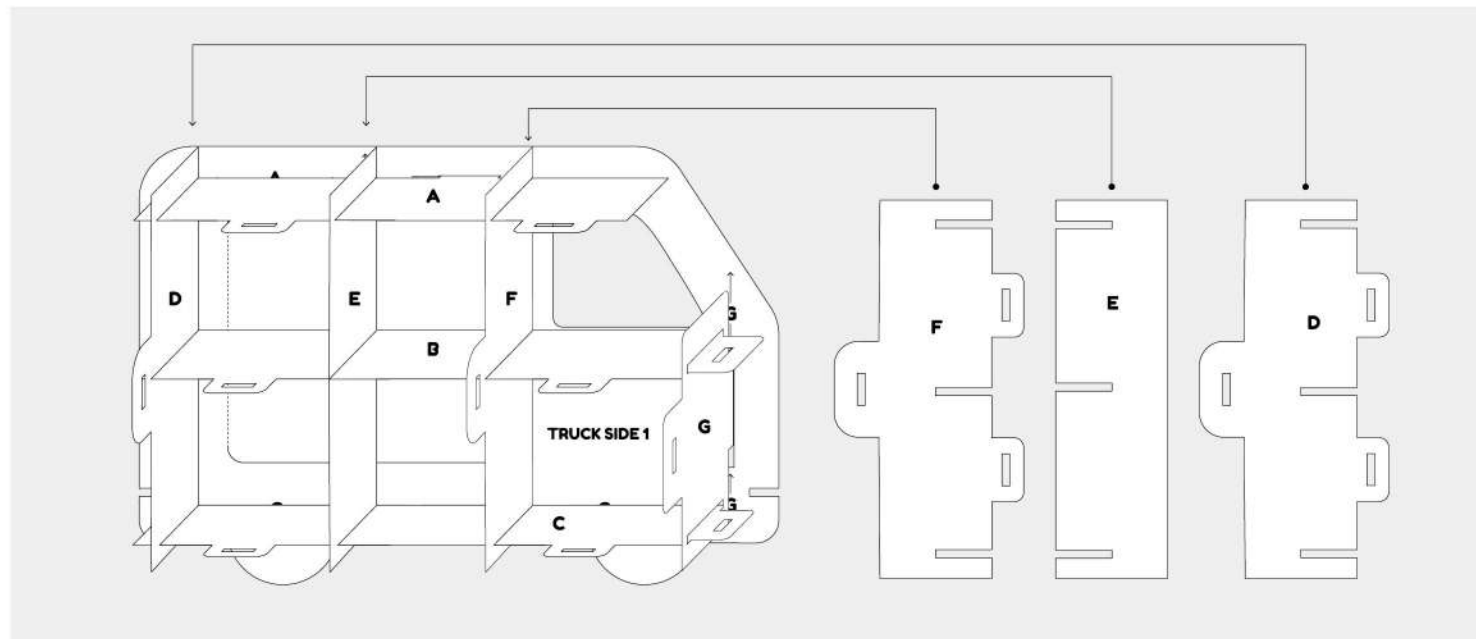
STEP 3

Insert horizontal piece A into truck side 1.



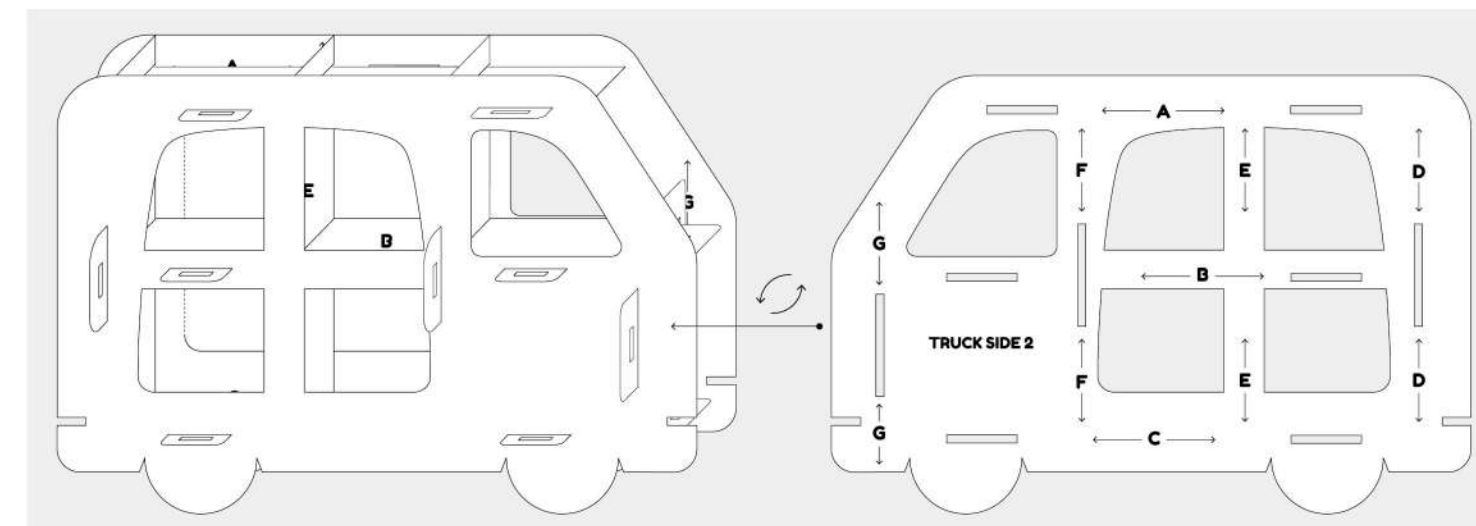
STEP 4

Insert vertical pieces D, E and F into truck side 1, locking into the horizontal pieces.



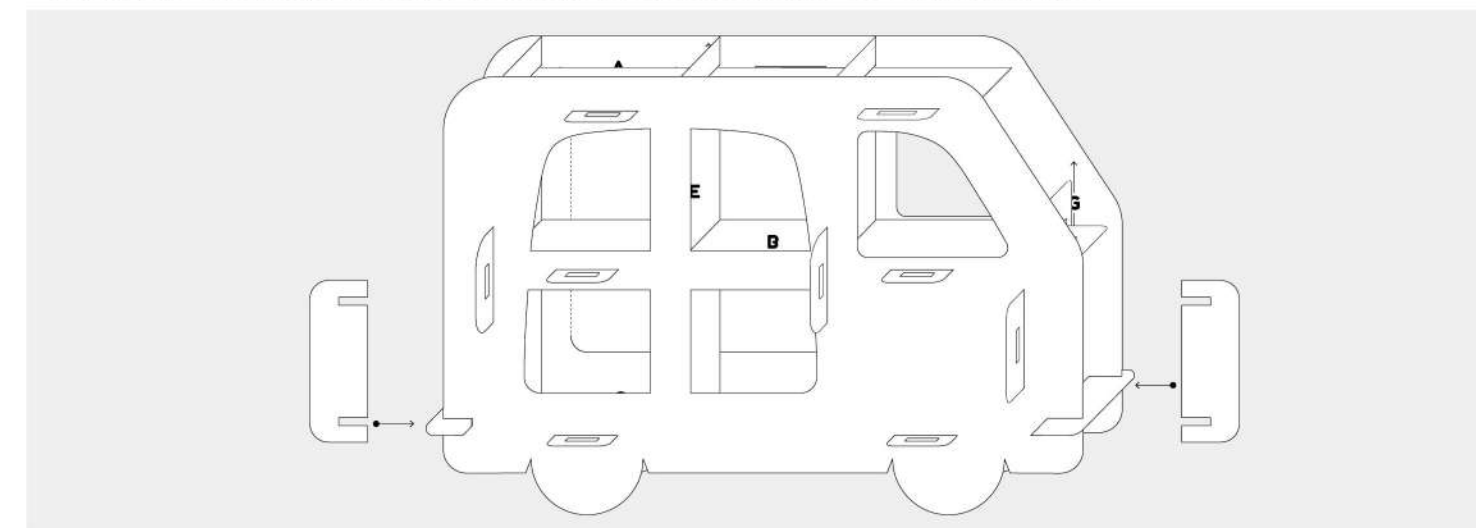
STEP 5

Place truck side 2 onto the top of the inner pieces. Now your truck should have 2 sides.



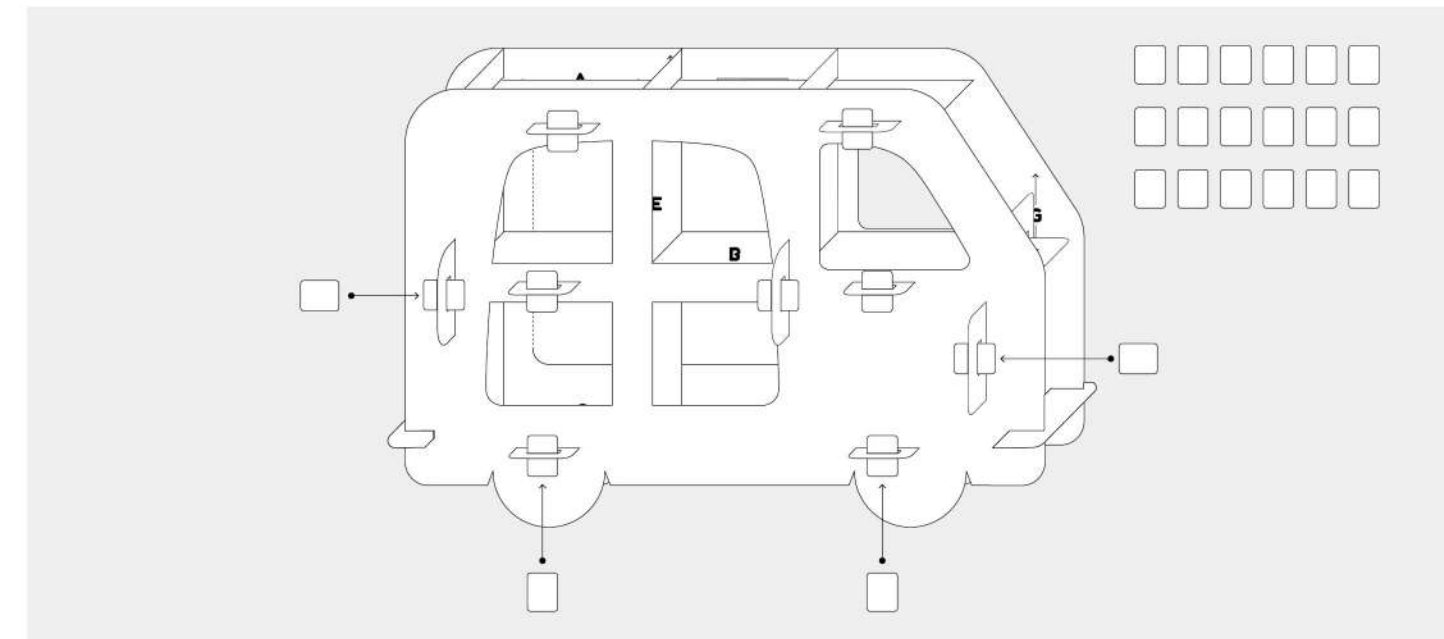
STEP 6

Slot front and back bumper pieces into place as per below. This will secure the 2 sides of the truck.



STEP 7

Secure truck into place by inserting tab pieces into slots. This will lock sides to secure the truck.



TIPS FOR USING AIR DRY CLAY

KNEAD: Before you start modeling, knead the clay using the palm of your hands. This will make the clay more pliable and easier to shape. To knead a larger amount of clay, use the palm of your hands and for smaller amounts, knead with your thumb and index finger.

TO CREATE LONG CYLINDRICAL SHAPES: Knead the clay into a round ball, then place it between your hands. Rub it back and forth to make the clay grow into a cylindrical sausage shape. To create thinner strips, place the clay on the palm of your left hand and rub it with the index and middle finger of your right hand.

COMBINE: To sticker 2 pieces of clay together, simply press one piece onto another piece of clay. This could be assisted with a tiny amount of water or tools provided in the kit. Avoid using too much water as tiny cracks may form as the clay dries.

MIX: Combine two different colours together and knead to create new colours. Try different combinations to make different colours and shades.

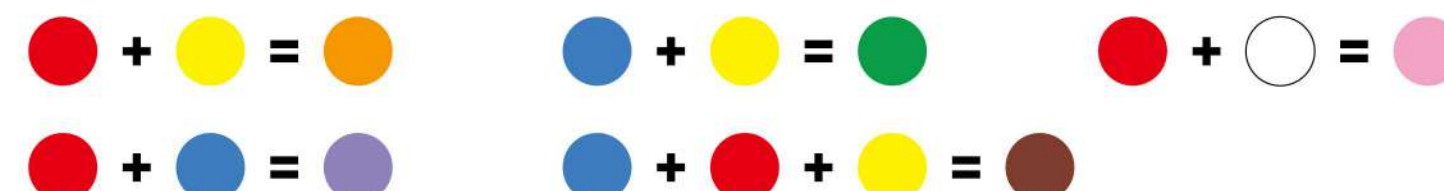
STRENGTHEN: Your clay project can be strengthened with match sticks, eg. for connecting a head to a body.

CUT: Use the provided sculpting knife to cut the clay into shapes, such as wings or eyes.

DRY: Most clay projects will dry within 24-48 hours.

SEAL BAGS AFTER USE: After use, seal the bags securely with some tape and store in a cool place away from sunlight.

MIXING GUIDE



***ADD A LITTLE BIT OF WHITE TO LIGHTEN COLOURS. *ADD A LITTLE BIT OF BLACK TO DARKEN COLOURS.**

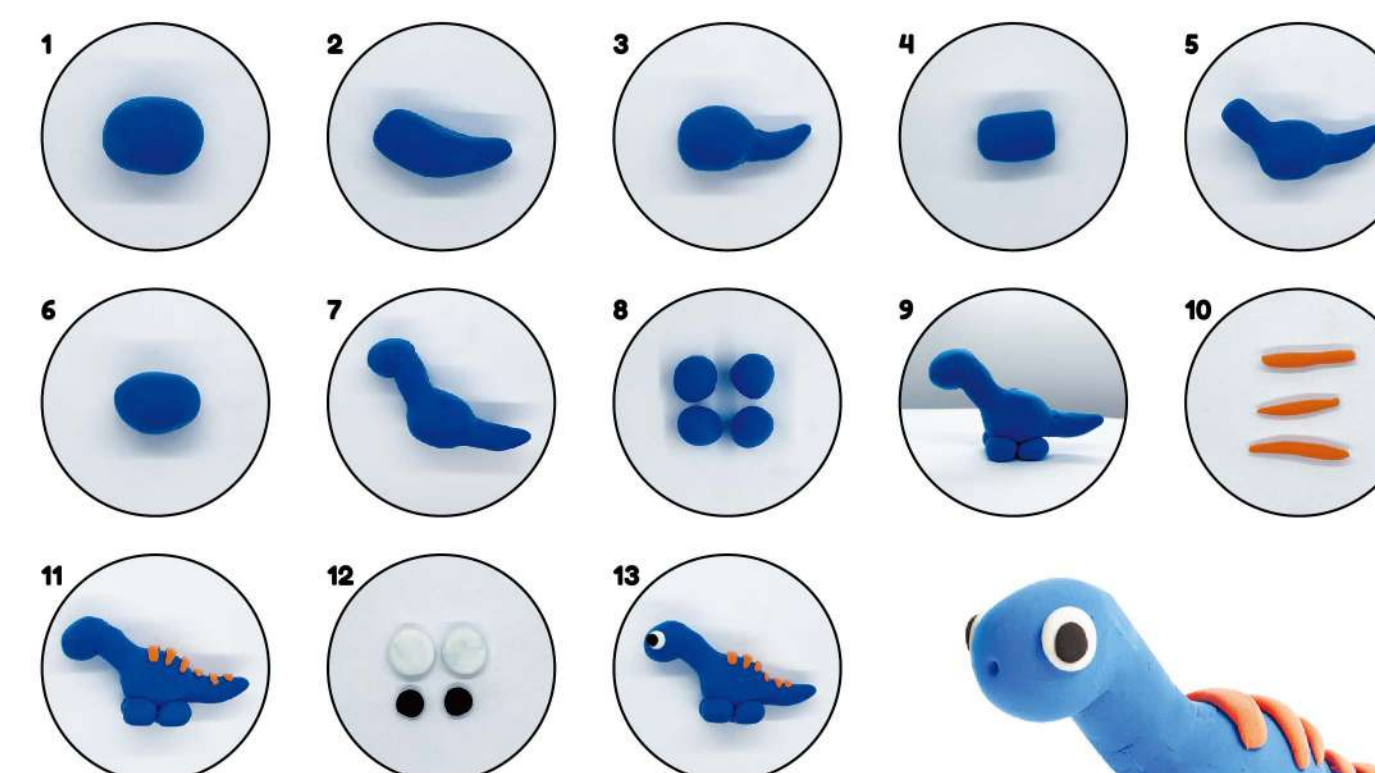
DO NOT INGEST OR SWALLOW.

WARNING: CHOKING HAZARD - Not suitable for children under 3 years due to small parts

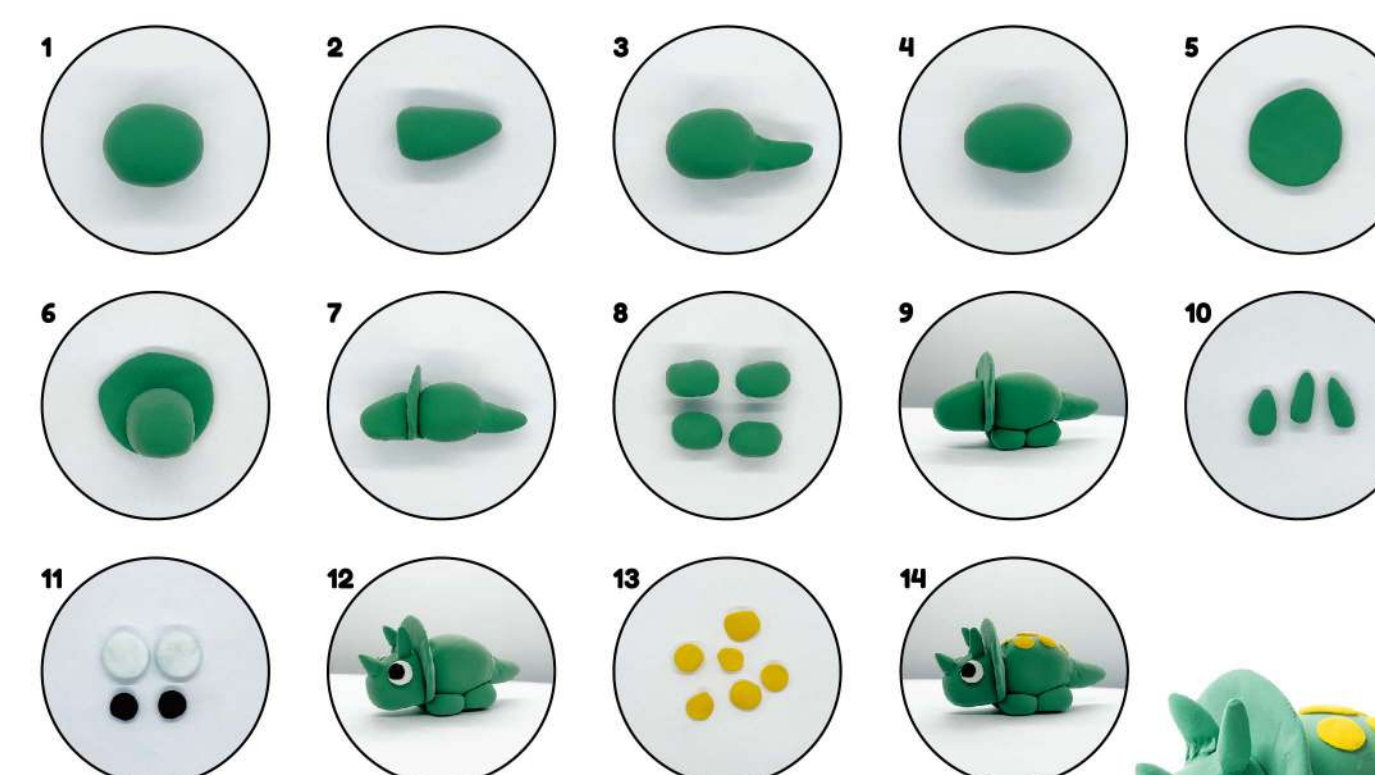
WARNING: This product contains functional sharp point. Please use as intended.

WARNING: USE UNDER DIRECT ADULT SUPERVISION. WASH HANDS AFTER USE. AIR DRY CLAY MAY STAIN PERMANENTLY. DO NOT PLACE DIRECTLY ON FURNISHINGS OR OTHER SURFACES TO DRY.

INSTRUCTIONS - AIR DRY CLAY



INSTRUCTIONS - AIR DRY CLAY



***USE THE REMAINING AIR DRY CLAY TO CREATE YOUR OWN DINOSAURS!**