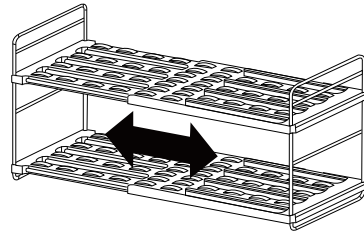
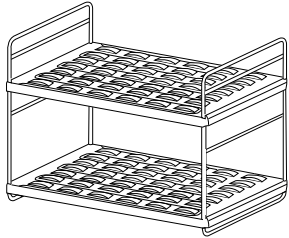
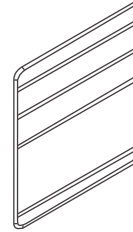


240X120mm

Instruction Manual

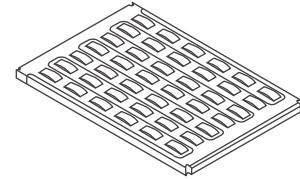


A



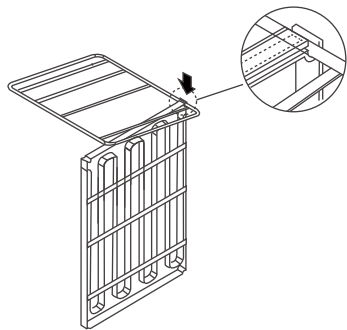
x2

B

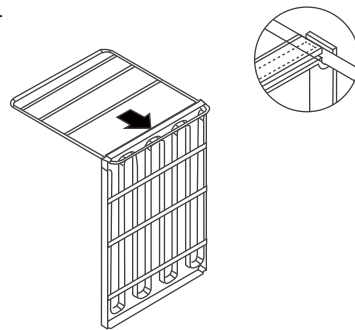


x2

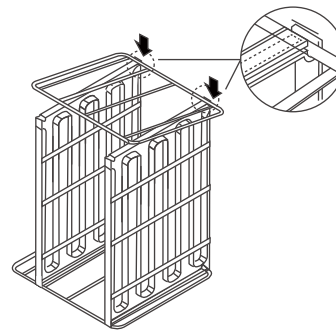
1.



2.



3.



4.

