

# Assembly Instructions

**K: 43380800 | T: 69262555 Marble Base Coat Stand**

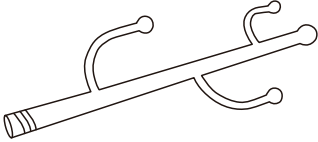
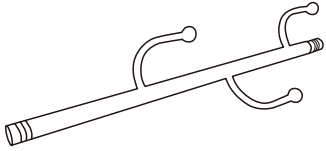
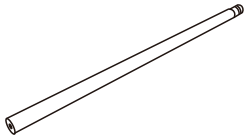
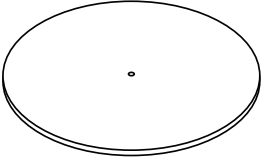

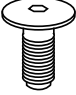
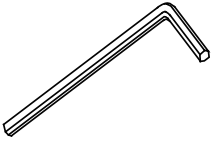
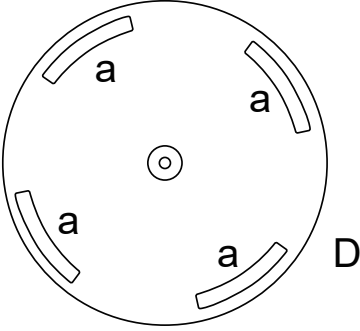
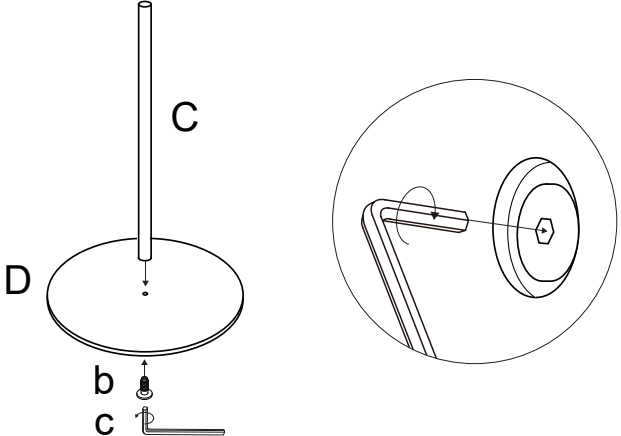
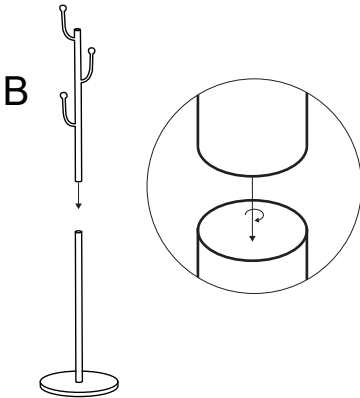
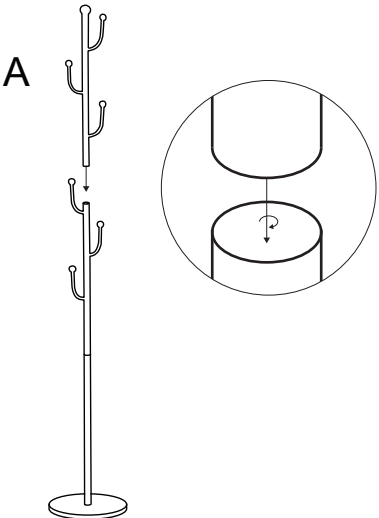
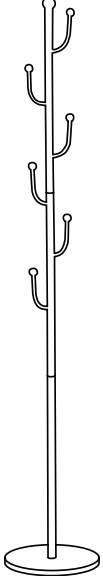
**CARE INSTRUCTION:**

Lay out all components and ensure all parts are supplied with the product. When cleaning the surface, use a damp cloth or dry clean cloth. Do not use abrasive materials and solvents. Keep away from direct sunlight. For indoor use only. Check tightness of screws every 6-8 weeks.

**WARNINGS:**

Keep the coat stand on a level, stable surface during use. Keep away from children and babies until assembly is completed. Do not shake the coat stand. Adult assembly required.

**MAXIMUM SAFE LOAD: 2KGS FOR PER HOOK**

| A x 1PCS   | B x 1PCS  |   | C x 1PCS  |  |
|--|---|---|---|--|
|                     |                      |   |    |  |
| D x 1PCS   | a x 4PCS  | b x 1PCS  | c x 1PCS  |  |
|                    |                      |  |   |  |
| <b>STEP 1</b><br> | <b>STEP 2</b><br> |   |   |  |
| <b>STEP 3</b><br> | <b>STEP 4</b><br>  |   |  |  |