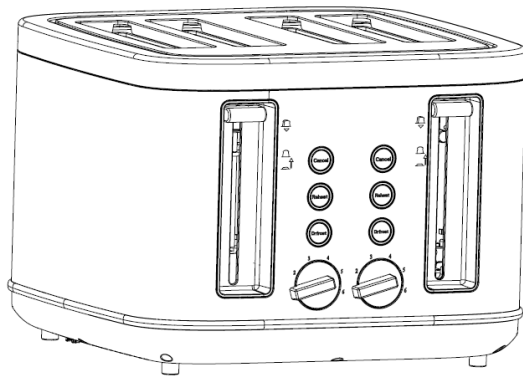

anko

Toaster

T3223FE

USER MANUAL




IMPORTANT INSTRUCTIONS

1. Please read these instructions before operating and retain for future reference.
2. This appliance is not intended for use by persons (including children) with reduced physical, sensory or mental capabilities, or lack of experience and knowledge, unless they have been given supervision or instruction concerning use of the appliance by a person responsible for their safety.
3. Children should be supervised to ensure that they do not play with the appliance.
4. If the supply cord is damaged, it must be replaced by the manufacturer, its service agent or similarly qualified persons in order to avoid a hazard.
5. The bread may burn, therefore do not use the toaster near or below combustible material, such as curtains.
6. The appliance is not intended to be operated by means of an external timer or separate remote-control system.
7. Regarding the instructions for cleaning surfaces in contact with food and removing breadcrumbs, refer to the section "Care and Cleaning".
8. This appliance is intended to be used in household and similar applications such as:
 - staff kitchen areas in shops, offices and other working environments;
 - farmhouses;
 - by clients in hotels, motels and other residential type environments;
 - bed and breakfast type environments.

**PLEASE RETAIN THESE INSTRUCTIONS FOR
FUTURE REFERENCE.**

-
9. To protect against electrical hazard, do not immerse any part of the appliance or cord in water or any other liquid.
 10. Close supervision is necessary when the appliance is near children.
 11. Do not leave the appliance unattended when in use.
 12. Always use the appliance on a dry, level surface.
 13. Do not use this appliance outdoors.
 14. Always unplug from the plug socket when not in use and before cleaning.
 15. Do not operate the appliance if damaged, after an appliance malfunctions or it has been damaged in any manner, return to the customer service department for repair, because special purpose tools are required.
 16. In the interest of safety, regular periodic close checks should be carried out on the supply cord to ensure no damage is evident. Should there be any signs that the cord is damaged in the slightest degree, DO NOT USE.
 17. Do not let the cord hang over the edge of a table or counter or touch hot surfaces. Allow the unit to cool before wrapping the cord around base for storage.
 18. Care must be taken not to touch any hot surfaces, do not store or cover the appliance until it has fully cooled down.
 19. Do not place this appliance on or near a hot gas or electric burner, in or where it could touch a heated oven, or a microwave oven.
 20. Do not use harsh abrasives, caustic cleaners or oven cleaners when cleaning this appliance.
 21. When using this appliance, allow adequate air space above and on all sides for air circulation. Do not allow this appliance to touch curtains, wall coverings, clothing, dishtowels or other flammable materials during use. CAUTION is required on surfaces where heat may cause a problem - an insulated heat pad is recommended.

22. Do not use the toaster without the crumb tray in place. The crumb tray should be cleaned regularly. Do not allow crumbs to build up in the tray.
23. The temperature of accessible surfaces may be high when the appliance is operating.
25.  **CAUTION:** Hot surface. Care must be taken. The surfaces are liable to get hot during use.
26. For cleaning, please refer to "CARE AND CLEANING" section.

WARNING!!

Never attempt to extract jammed toast, muffins, bagels or any other item with a knife or any other object, as contact with live elements may cause electrocution.

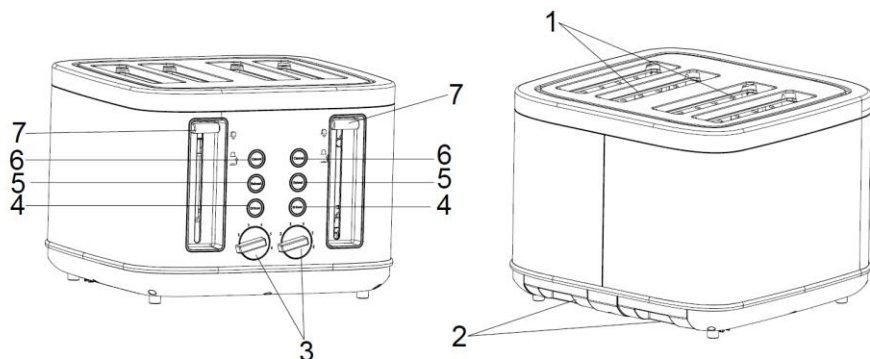
Allow the appliance to cool down, unplug and then carefully remove the bread.

WARNING! To prevent damage to the toaster, do not use this appliance with any foodstuff product containing sugar content or with products containing jam or preserves.

WARNING! Electric Shock Hazard. Do not attempt to dislodge food when the toaster in use or connected to mains power.

CAUTION: The bread may burn; therefore, toaster must not be used near or below curtains and other combustible materials. The toaster should be attended when in use.

FEATURES OF TOASTER



1. Toasting slots
2. Crumb tray
3. Variable browning control
4. Defrost button
5. Reheat button
6. Cancel button
7. Carriage control lever

OPERATING TOASTER

1. Insert the plug into a suitable mains supply socket.
2. Place up to four slices of bread, muffins, or bagels into bread slots.
3. Select the desired browning setting, from No.1 to No.6 on the browning control knob. (No.1-lightest, No.6-darkest).
When using the toaster for the first time, we suggest you toast on number 3. Varying types of bread and personal preference may require a different browning setting.
4. Press the carriage control lever down until it clicks into place. Toasting cycle will automatically commence. Please note: if the

toaster is not plugged in and switched on at the power point the carriage control lever will not click into place.

5. The toaster turns off when the desired toast color is achieved and automatically raises the toast. The toasting process can be stopped at any time by pressing the cancel button.

TOASTING FROZEN BREAD: To toast frozen bread, place the bread into the bread slots and select the desired browning setting. Press the carriage control lever down until it clicks into place then press the defrost button.

REHEATING TOAST: The toaster allows you to reheat toast without additional toasting. To reheat, place toast into bread slots, lower the carriage control lever until it clicks into place and press the reheat button.

In the unlikely event that the bread or crumpet becomes jammed, switch the toaster off at the power outlet, remove the plug from the supply socket and carefully ease the bread out of the toaster, ensuring that you do not damage the heating element.

CARE AND CLEANING

1. Always turn the power off, remove the plug and allow the toaster to cool before cleaning.
2. To remove any crumbs from the toaster, slide out the crumb tray from under the toaster, empty and replace in the toaster before using it again.
3. Wipe the outside of the toaster with a slightly dampened cloth and polish with a soft dry cloth.
4. Do not immerse the unit in water.
5. To clean the interior, turn the toaster upside down over the sink and shake crumbs free.

The crumb tray should be cleaned regularly. Do not allow
breadcrumbs to accumulate in the bottom of the toaster.

TECHNICAL DATA

Voltage: 220-240V~ 50-60Hz

Power: 1900-2300W

12 Month Warranty

Thank you for your purchase.

Your new product is warrantied to be free from defects in materials and workmanship for the period stated above, from the date of purchase, provided that the product is used in accordance with accompanying recommendations or instructions where provided. This warranty is in addition to your rights under the Australian Consumer Law.

For New Zealand customers, this warranty is in addition to statutory rights observed under New Zealand legislation.

We will provide you with your choice of a refund, repair (where possible) or exchange (availability dependent) for this product if it becomes defective within the warranty period. The business will bear the reasonable expense of claiming the warranty.

This warranty will no longer apply where the defect is a result of alteration, accident, misuse, abuse or neglect.

Please retain your receipt as proof of purchase and contact our Customer Service Centre as listed below, for the entity you purchased this product from, for any difficulties with your product. Warranty claims and claims for expense incurred in returning this product can be addressed to the respective Customer Service Centre.

Our goods come with guarantees that cannot be excluded under the Australian Consumer Law. You are entitled to a replacement or refund for a major failure and compensation for any other reasonably foreseeable loss or damage. You are also entitled to have the goods repaired or replaced if the goods fail to be of

acceptable quality and the failure does not amount to a major failure.

Contact for Kmart purchases	Contact for Target purchases
Kmart Australia Ltd. C/- Customer Service Centre 690 Springvale Road, Mulgrave Vic 3170 Customer Service: 1800 124 125 (Australia) or 0800 945 995 (New Zealand) or via Customer Help at kmart.com.au	Target Australia Pty Ltd C/- Customer Service Centre 2 Kendall Street, Williams Landing, Vic, 3027 Customer Service: 1300 753 567 or via Customer Help at target.com.au/help/contact-us