

anko

Professional Hair Cut Kit RFC-676A & RFC-661 User Manual



**PLEASE READ AND SAVE THESE
INSTRUCTIONS FOR FUTURE REFERENCE**

IMPORTANT SAFETYGUARDS

To ensure proper operation of this appliance, please read this instruction manual completely and carefully before using the appliance and keep it for future reference.

WARNING!

1. Only use the appliance as described in this manual.
2. This appliance contains batteries that are non-replaceable.
3. To protect against the risk of electric shock, DO NOT immerse the appliance, USB cable in water or other liquid.
4. DO NOT store the product near sinks, bath or showers containing water or near running water.
5. Always check the appliance for damage prior to use. If any damage is observed, do not use the appliance.
6. The appliance is intended for indoor use only.
7. Always switch the appliance OFF after use.
8. This appliance has no user serviceable parts. Do not disassemble the Appliance.
9. This appliance is for personal use only, not designed for commercial use.
10. Do not use it outdoors.
11. **Do not use** the appliance if it is not working properly, if it has been dropped or if it has been immersed in any liquid.
12. Before using the appliance, ensure that the trimmer and clipper head is securely fitted and not damaged.
13. Keep the appliance, accessories and USB cable out of reach of young children.
14. The appliance is not to be used by persons (including children) with reduced physical, sensory or mental capabilities, or lack of experience and knowledge, unless they have been given supervision or instructions concerning use of the appliance by a person responsible for their safety.
15. Children should be supervised to ensure that they do not play with the appliance.
16. **Only Charge the Appliance with the USB cable supplied with the appliance.**
17. **Only Charge the Appliance from an Extra Low Voltage Battery Charger (not supplied) with an output rating 5Vd.c. 1A, same as indicated on the appliance's rating label.**
18. When charging the appliance, the appliance must be switched off.
19. Use only attachments provided.
20. This product contains sharp blades, please take utmost care during handling and use.
21. Do not replace the batteries with non-rechargeable batteries.
22. To avoid personal injury, do not use the appliance with a damaged trimmer head or blade.
23. The appliance must be used only with attachments provided with the product.



WARNING: Do not recharge non-rechargeable batteries.



WARNING: Before charging the product, please make sure your hands are dry.



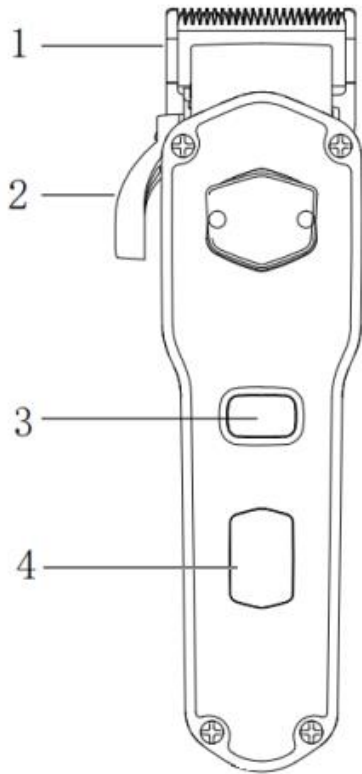
WARNING: Only use the USB cable supplied with the appliance. Use of other cable may cause electrical failure and/or fire.

PERSONAL SAFETY

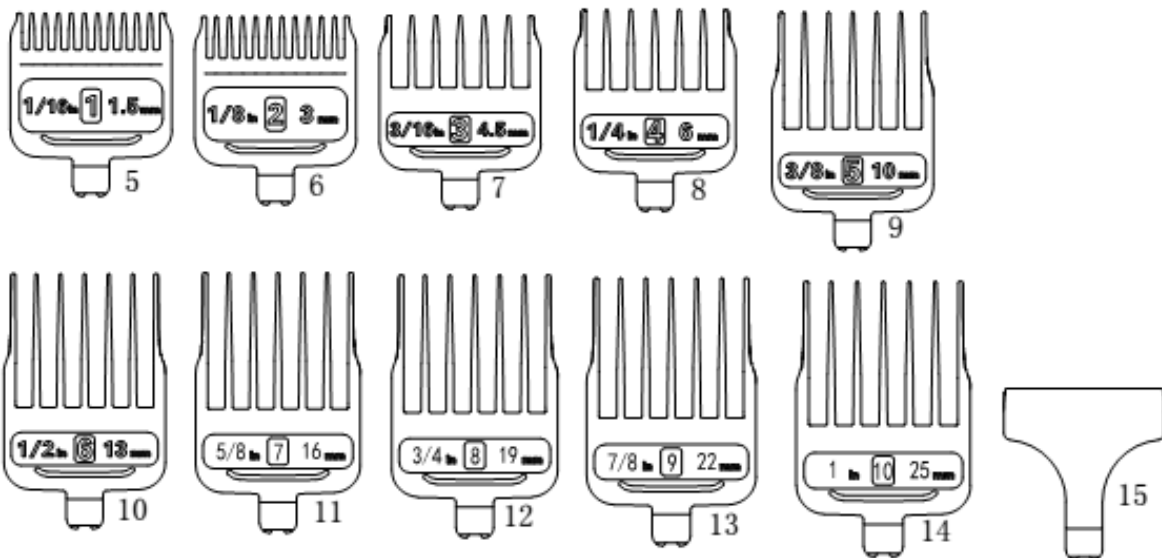
- Never use the appliance on any part of the body other than trimming the hair.
- **IMPORTANT! Do not use the appliances if the cutting head is split or broken.**
- Never leave the appliance unattended while switched ON.
- Always ensure that the hands are dry before operating or when switching it ON or OFF.

KNOW YOUR HAIR CUT KIT

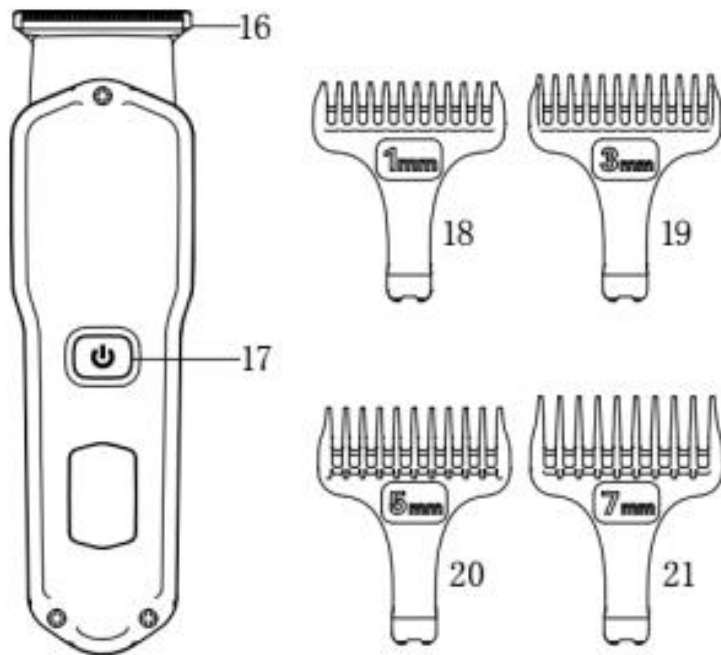
Hair clipper



1. Hair clipper
2. Taper lever
3. On/Off switch
4. Digital display
5. Cutting guide 1.5mm
6. Cutting guide 3mm
7. Cutting guide 4.5mm
8. Cutting guide 6mm
9. Cutting guide 10mm
10. Cutting guide 13mm
11. Cutting guide 16mm
12. Cutting guide 19mm
13. Cutting guide 22mm
14. Cutting guide 25mm
15. Blade Guard

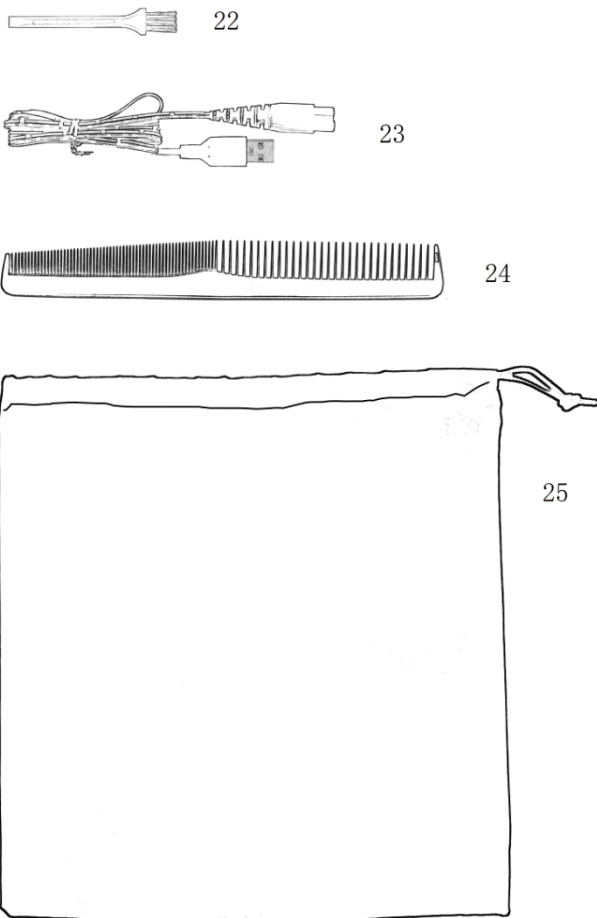


Hair trimmer



- 16. Hair trimmer
- 17. On/Off switch
- 18. Trimmer attachment 1mm
- 19. Trimmer attachment 3mm
- 20. Trimmer attachment 5mm
- 21. Trimmer attachment 7mm

Other parts



- 22. Cleaning brush
- 23. USB cable
- 24. Comb
- 25. Pouch

CHARGING THE CLIPPER/TRIMMER

IMPORTANT: These appliances contains a built-in lithium-ion battery which must only be charged using the supplied USB cable.

Always switch off and unplug the USB cable when charging is completed or when not in use.

- Normal charge takes approximately 1.5 hours with a 5Vd.c. 1 A charger.
 - The appliance must be fully charged before first use.
1. Fully unwind the USB cable before using it to charge the appliance
 2. Plug the small end of the USB cable directly into the bottom of the appliance.
- Note: This small plug can only be inserted in one direction only.
3. Plug the large end of the USB cable into your 5Vd.c. 1A charger (not supplied), then connect the charger to mains power outlet.



4. LED display will light up and indicate the level of charge.
5. When fully charged, The LED numerical display will show “100” for clipper and “60” for trimmer.



Clipper



Trimmer

- Unplug the USB charging cable from the appliance. The appliance is ready for use.

During use, you will notice the number on the LED display decrease. The number shown is the amount of battery left in %. When the battery level reduces enough to require recharging, approximately 5% remaining, the digit will flash to let you know it needs recharging.

Battery care

To ensure maximum life of the rechargeable battery in your appliances, follow these guidelines:

- Do not recharge the appliances between sessions. Wait until the battery is fully exhausted before recharging.
- Discharge the battery completely at least twice a year (switch ON and run the appliance until it stops).
- If the appliances have not been used for a long period of time, discharge the battery completely, then fully charge it for 1.5 hours before use. This will prolong battery life.
- Never charge for more than 1.5 hours.
- Do not charge the appliances when the temperature is below 0°C or above 40°C.
- Avoid recharging the appliances in direct sunlight or near a radiating heat source.
-

OPERATION



WARNING:

Switch off the device before replacing or changing the attachments



NOTES:

The hair to be dressed must be dry.



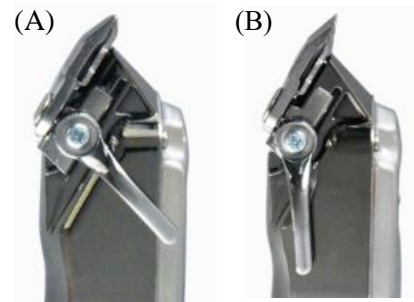
NOTES:

The cutting length may deviate depending on the cutting angle. Please start with a comb attachment with a longer cutting length and then, in the course of cutting process, use shorter cutting lengths step by step.

HAIR CLIPPER

Know Your Hair Clipper

This clipper has an adjustable blade. To adjust: move the taper lever down for coarse (B) cutting and up for fine (A) cutting.



Operating the Hair Clipper

1. Remove the blade guard from the unit.
2. Disperse a few drops of lubricating oil across blades. Wipe off excess with a clean, dry cloth.
3. Select the cutting guide attachment with desired length.
4. Hold the clipper with teeth up, hook the attachment over the clipper blade, then push down the attachment to the back of clipper head until it clicks into place.



5. Turn on the hair clipper and start cutting hair.
6. Always hold the clipper with blade running parallel to the skin. Never cut into loose skin.
7. Clean clippings from the blades using the cleaning brush. Wipe the housing with a clean, dry cloth.
8. Before replacing the blade cover for storage, spread one or two drops of lubrication (sewing machine oil) over the blades to prevent rusting.

HAIR TRIMMER

Know Your Hair Trimmer

CAUTION!

Risk of injury! Handling the trimmer improperly may result in injury.

The Blade assembly can be removed for deep cleaning.
To remove the blade assembly, hold the appliance facing upward and press the blade assembly forward. The blade assembly will fall out.



To install the blade assembly, align the back of the blade assembly with main unit, swing closed and push towards the main unit until it locks in place.



Operating the Hair Trimmer

1. Select the desired trimmer attachment.
2. Hook in the trimming attachment, press carefully over the hair trimmer head to the bottom end of the comb attachment until it locks into place.



3. Turn on the trimmer.
4. Trim against hair growth by guiding the flat comb part over the skin.
5. Avoid clogging the attachment with hair, remove and clean it periodically.
6. Use the hair trimmer attachment without the comb attachment will cut the hair very short or to cut the moustache and hairline.

Travel lock

The appliance comes with a travel lock function which prevents the appliance from turning on if the On/Off switch is accidentally pressed, especially while travelling.

- To activate this function, press and hold the On/Off switch for approximately 3 seconds, the icon (padlock for the clipper and left battery for the trimmer) flashes 3 times and the appliance is locked.
- The symbol will flash 3 times then disappear. It is now locked.
- To Unlock the appliance, press and hold the On/Off switch for approximately 3 seconds until the appliance starts.
- The appliances will unlock automatically when charging.

CLEANING AND MAINTENANCE

- Make sure the appliance is disconnected from the USB cord and switched off.

Caution! Blades are sharp. Please be careful when handling and cleaning!

- Remove the accessory.

Note: the blade of the trimmer can be disassembled.

To withdraw the blade, hold the trimmer and press the blades out with your thumb and support the blades at back to avoid falling.

- Clean with the cleaning brush supplied, then rinse the clipper/trimmer and other attachments under a tap.
- Use a damp cloth to clean the main unit then dry it thoroughly.
- Allow all the parts dry, assemble the blade to the trimmer.
- The cutting blades should be slightly oiled after cleaning.
- Place the protective cap on the clipper head.
- Store the appliance in a cool, dry location.

Lubrication

The clipper and trimmer will need periodic lubrication to allow the blades to run smoothly and prolong its life.

Use a drop of the sewing machine oil (not supplied) every few months, apply directly onto the blades. Turn on the appliance for a few seconds to allow the blade get fully lubricated.

BATTERY DISPOSAL

If the appliance is to be disposed the batteries should be removed from the appliance before it is scrapped. The appliance must be disconnected from the charger when removing the battery. The battery should be disposed safely. Used batteries should be taken to a recycling facility and not disposed with normal household waste.

IMPORTANT: Always fully discharge the batteries before removal and ensure the charger is unplugged.

TECHNICAL DATA

Model no.	RFC-676A	RFC-661
Working time	Approx. 90 minutes	Approx. 60 minutes
Charging time	Approx. 90 minutes	Approx. 90 minutes
Input	5V== 1.0A	5V== 1.0A
Battery type	Li-ion, 1200mAh, 3.7V x1 cell	Li-ion, 500mAh, 3.7V x1 cell

12 Month Warranty

Thank you for your purchase.

Your new product is warranted to be free from defects in materials and workmanship for the period stated above, from the date of purchase, provided that the product is used in accordance with accompanying recommendations or instructions where provided. This warranty is in addition to your rights under the Australian Consumer Law.

For New Zealand customers, this warranty is in addition to statutory rights observed under New Zealand legislation.

We will provide you with your choice of a refund, repair (where possible) or exchange (availability dependent) for this product if it becomes defective within the warranty period. The business will bear the reasonable expense of claiming the warranty.

This warranty will no longer apply where the defect is a result of alteration, accident, misuse, abuse or neglect.

Please retain your receipt as proof of purchase and contact our Customer Service Centre as listed below, for the entity you purchased this product from, for any difficulties with your product. Warranty claims and claims for expense incurred in returning this product can be addressed to the respective Customer Service Centre.

Our goods come with guarantees that cannot be excluded under the Australian Consumer Law. You are entitled to a replacement or refund for a major failure and compensation for any other reasonably foreseeable loss or damage. You are also entitled to have the goods repaired or replaced if the goods fail to be of acceptable quality and the failure does not amount to a major failure.

Contact for Kmart purchases	Contact for Target purchases
Kmart Australia Ltd. C/- Customer Service Centre 690 Springvale Road, Mulgrave Vic 3170 Customer Service: 1800 124 125 (Australia) or 0800 945 995 (New Zealand) or via Customer Help at kmart.com.au	Target Australia Pty Ltd C/- Customer Service Centre 2 Kendall Street, Williams Landing, Vic, 3027 Customer Service: 1300 753 567 or via Customer Help at target.com.au/help/contact-us