

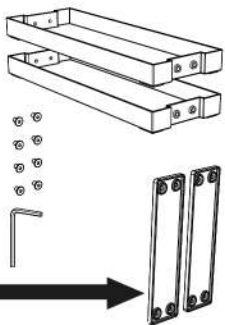
Components

2 Shelves

8 Screws

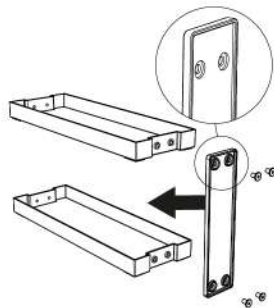
Allen key

2 Legs



Assembly Instructions

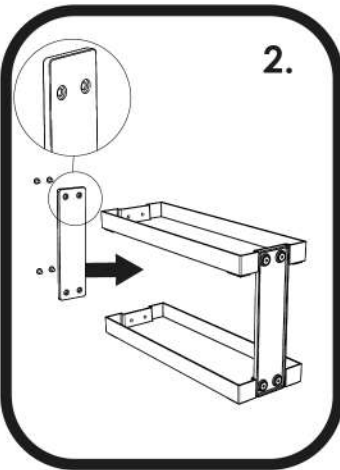
1.



Put one leg in place
and screw together.

Check the leg is the correct way round.

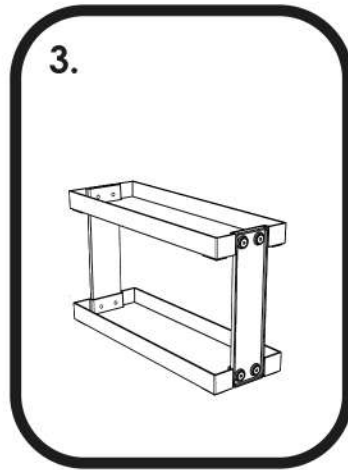
2.



Put the second leg in place
and screw together.

Check the leg is the correct way round.

3.



The shelves are complete.