

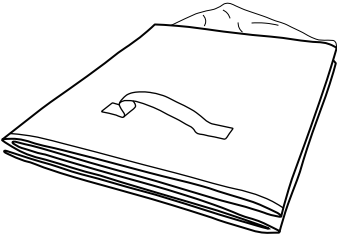
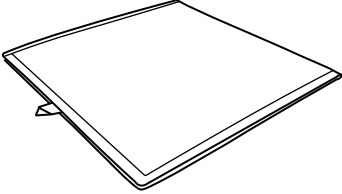
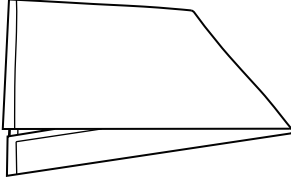
Assembly Instructions

K: 43385546 | T: 69287237 LINEN LOOK DUAL COMPARTMENT STORAGE BOX

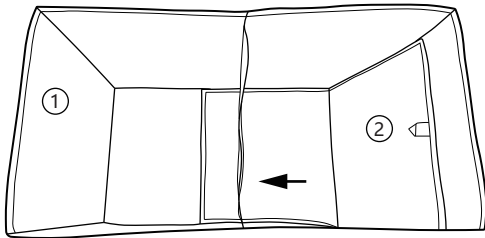
CARE INSTRUCTIONS: SPOT CLEAN WITH DAMP CLOTH.

WARNING: DIRECT CONTACT WITH PALE OR DAMP SURFACES MAY RESULT IN COLOUR TRANSFER.

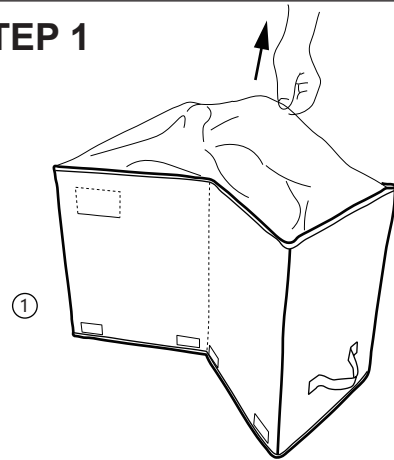
MAXIMUM SAFE LOAD: 3KG.

		
① storage box 1 PC	② bottom insert 1 PC	③ box lid 1 PC

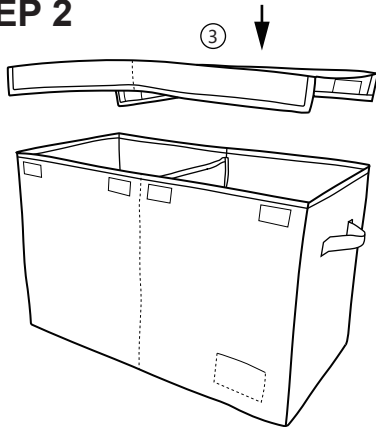
OPEN STEP 1



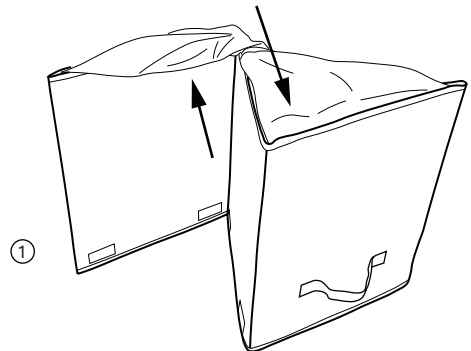
FOLD STEP 1



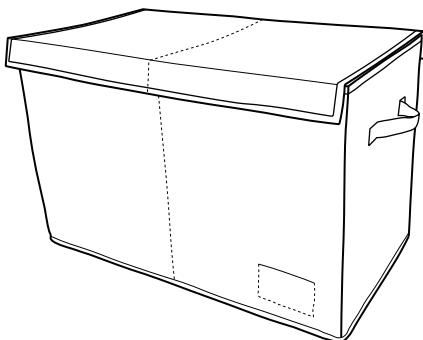
OPEN STEP 2



FOLD STEP 2



OPEN STEP 3



FOLD STEP 3

