

6+ YEARS

R/C STUNT CAR

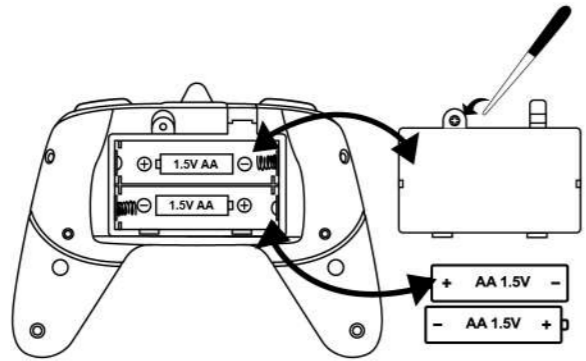
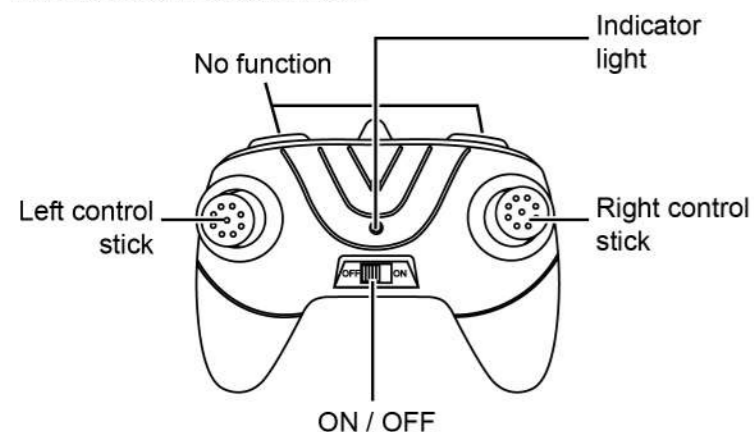
INSTRUCTIONS



Battery installation:

1. Unscrew to open the battery compartment.
2. Insert batteries into the correct + and - polarities.
3. Close the cover.

THE REMOTE CONTROL

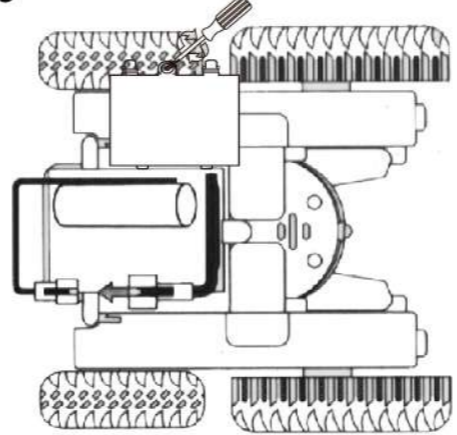


REQUIRES 2 X 1.5V AA BATTERIES (NOT INCLUDED)

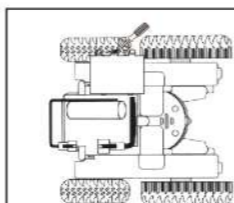
Installing the vehicle battery:

- 1 - Loosen the screw to open the battery cover.
- 2 - As shown in Figure 1, remove the battery cover, connect the rechargeable battery with connector and close the battery cover.

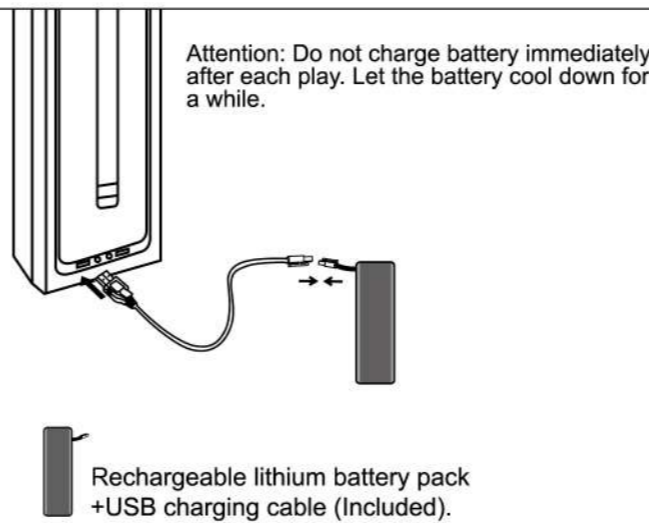
Figure 1



How to charge:



- A. Turn off vehicle. (Press and hold the ON/OFF button on the vehicle for a second)
- B. Loosen the screw to open battery cover.
- C. Separate the rechargeable battery from connector.
- D. Connect the USB charging cable with rechargeable battery first. (The battery connector will only fit in one way, do not force the connectors together), then plug the large end of USB cable into a 5Vd.c. 2A charger (not supplied) or USB port only. The red LED light on the USB charging cable will light up when charging.
- E. The red LED light extinguishes after it has finished charging. Disconnect the USB charging cable from the USB port and then disconnect the rechargeable battery with USB charging cable.



How to use simultaneously:

1. Turn on the vehicle first and then turn on the transmitter.
2. Move the control stick of the transmitter to match the vehicle.
3. When the vehicle is functioning, that means they are matched.
4. If you have more than two vehicles, please pair one by one. When the second vehicle is pairing, please always keep the first vehicle and transmitter on.
5. Please turn off both the vehicle and transmitter and re-start all pairing processes if you are changing to play with another 2.4GHz transmitter.

How to play:



How to flip over:

Push both control sticks up or pull both control sticks down, when the vehicle hits an obstacle at high speed, the vehicle will flip over.

Push both control sticks up, when the vehicle runs in high speed, then quickly pull both control sticks down for the vehicle to flip over.

Note: It is not recommended to drive the car on carpet when you perform the flip function or spin function.

K: 43-385-805 | T: 69-561-498

WARNING: THIS TOY PRODUCES FLASHES THAT MAY TRIGGER EPILEPSY IN SENSITISED INDIVIDUALS.

WARNING: CHOKING HAZARD-SMALL PARTS. NOT SUITABLE FOR CHILDREN UNDER 3 YEARS.

WARNING: BATTERIES ARE TO BE INSERTED WITH THE CORRECT POLARITY (+ AND -). DO NOT MIX DIFFERENT TYPES OF BATTERIES OR NEW AND USED BATTERIES. NON-RECHARGEABLE BATTERIES ARE NOT TO BE RECHARGED. RECHARGEABLE BATTERIES ARE ONLY TO BE CHARGED UNDER ADULT SUPERVISION. THE SUPPLY TERMINALS ARE NOT TO BE SHORT-CIRCUITED. REMOVE BATTERIES FROM THE TOY WHEN NOT IN USE FOR AN EXTENDED TIME OR WHEN BATTERIES BECOME EXHAUSTED. BATTERY INSTALLATION BY AN ADULT IS REQUIRED. DISPOSE OF BATTERIES RESPONSIBLY. DO NOT DISPOSE OF IN FIRE.

WARNING: THE BATTERY CHARGER USED WITH THE ELECTRIC TOY SHALL BE REGULARLY EXAMINED FOR DAMAGE TO THE SUPPLY CORD, PLUG, ENCLOSURE OR OTHER PARTS, AND IN THE EVENT OF DAMAGE, IT SHALL NOT BE USED UNTIL THE DAMAGE HAS BEEN REPAIRED.

WARNING: FOR SAFETY REASONS, REMOVE ALL TAGS, LABELS, AND PLASTIC FASTENERS BEFORE GIVING THIS TOY TO YOUR CHILD.

WARNING: THE TOY IS ONLY TO BE CONNECTED TO CLASS II EQUIPMENT BEARING THE SYMBOL.

PRODUCT MAY VARY FROM THE IMAGE SHOWN. PLEASE KEEP PACKAGING FOR FUTURE REFERENCE. READ THE INSTRUCTIONS BEFORE OPERATING THE PRODUCT. PERFORMANCE TIPS: DO NOT DRIVE THE VEHICLE THROUGH WATER.



MADE IN CHINA

CUSTOMER SERVICE:
KMART AU: 1800 124 125
KMART NZ: 0800 945 995
TARGET AU: 1300 753 567