

2.4GHz

INSTRUCTION MANUAL

Thank you for choosing our product! Please read this instruction manual carefully before using, as it contains all the information you need to know about how to use this product correctly.

8+ YEARS

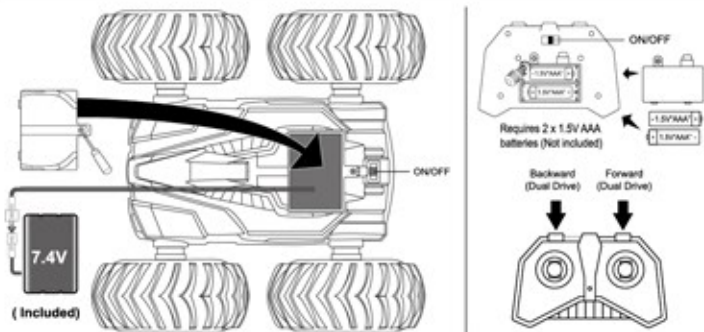
Colours And Contents May Vary From Illustration.

DOUBLE SIDED SPEED CYCLONE



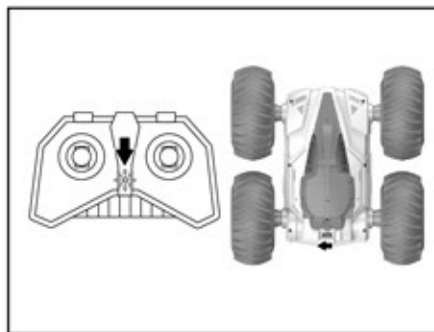
Contents

- RC Vehicle x1
- RC Transmitter x1
- Instruction Manual x1
- USB cable x1
- 7.4V Battery pack x1



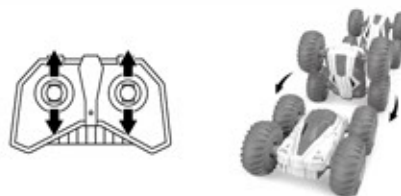
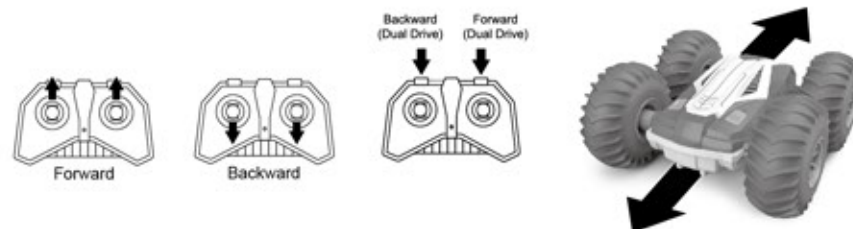
How to pair

1. Turn on the vehicle first, then turn on the transmitter.
2. When the light of the transmitter is flashing it means it is pairing.
3. If the light is on and not flashing that means the pairing has been successful.
4. If it doesn't complete the pairing process within 8 seconds, please turn off both the vehicle and transmitter and re-start the pairing process.
5. When the pairing process is complete, whenever you switch the vehicle and transmitter on and off, it searches for the memorised code and will only lock onto the transmitter signal containing that code.
6. If you have more than two vehicles, please pair them one by one. When the second vehicle is pairing, always keep the first vehicle and transmitter on.
7. Please turn off both the vehicle and transmitter and re-start the pairing process if you are changing to another 2.4GHz transmitter.

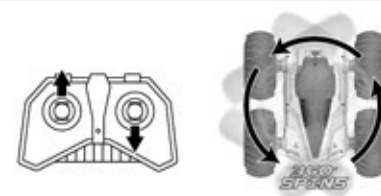


MADE IN CHINA

How to play



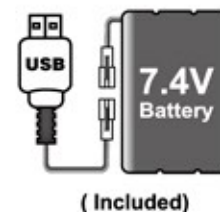
When the car is moving forwards, push both the left and right lever on the controller downwards and the car will roll 180 degrees.



When you push the left lever on the controller upwards, while pushing the right lever downwards, the car will spin on the spot.



Charging time: 2.5 to 3 hours (the light is green, that means it's charging. The light is off, that means the battery is full).
 Play time: 20-25 mins
 Remote control distance: up to 30m.
 Attention: Rechargeable batteries should be removed from toys before charging



Dormancy function: The car enters into dormancy after about 5 minutes without any operation in the power-on state. In dormant state, the power indicator lights out. Press any key to wake up the dormancy function. The power indicator lights up.

CAUTION

When the car is in motion, do not touch the wheels by hand to avoid damage to the car.



Do not bend the antenna or point it at other people or articles to avoid injury.



Do not play in puddles, mud or sand.



Do not play on the roads or in any other dangerous places to avoid accidents.



BATTERY SAFETY

- (1) The placement or replacement of batteries is to be performed by an adult.
- (2) Remove the rechargeable battery from the chassis before charging.
- (3) Always remove exhausted batteries from the car and the transmitter.
- (4) Make sure the main switch is set to OFF before installing the battery pack into the car body.
- (5) Batteries must be inserted with the correct polarity.
- (6) Non-rechargeable batteries shall not be recharged.
- (7) Do not short-circuit the batteries.
- (8) Always remove the batteries from the car and the transmitter after playing.
- (9) Never throw the batteries into fire to avoid an explosion or leakage.
- (10) Do not mix batteries from different producers or new and old batteries.
- (11) You should only use batteries of the same or equivalent types as recommended.
- (12) Check the batteries on a regular basis to avoid leakage.
- (13) Keep this manual for future reference as it contains important information about this product.



WARNING:

CHOKING HAZARD - small parts, Not for children under 3 years.