

# #6387-AU\_Villainator\_Instruction Sheet

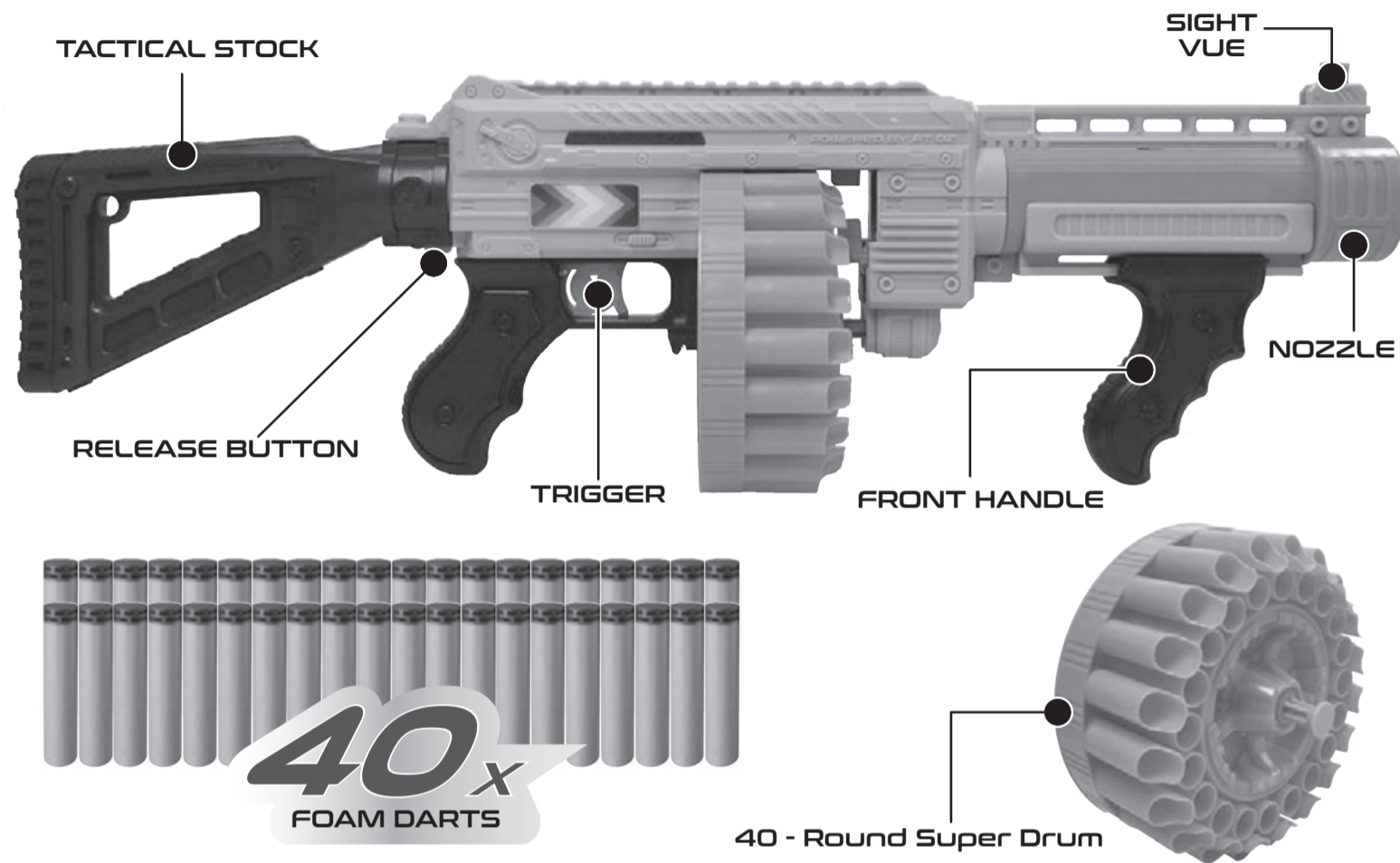
## English Translation

Size: 210mm x 297mm

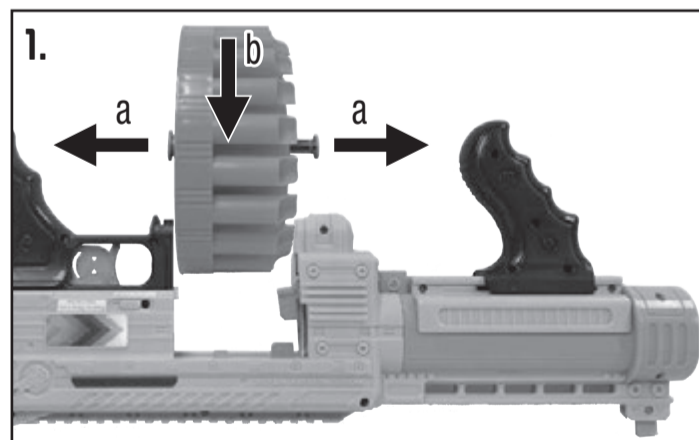
# VILLAINATOR™

8+ YEARS  
ITEM NO. 6387-AU

PUMP-ACTION SUBMACHINE DART BLASTER  
AUTO-ADVANCE ROTATING DRUM



### Set-up Instructions



#### 1. Installing the Super Drum

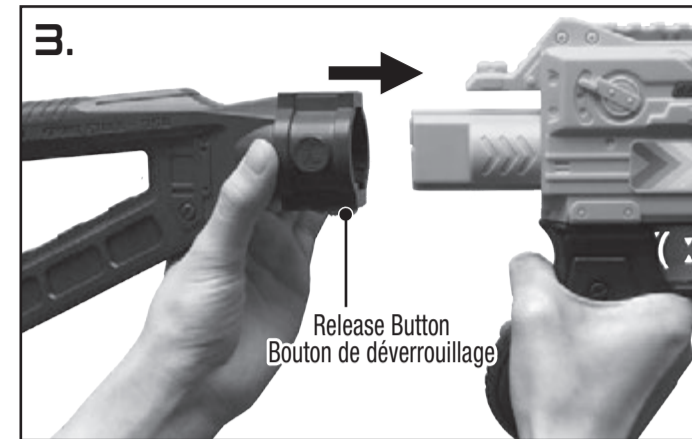
- Pull the centre knobs out, until you hear a "click".
- Align the two knobs to the U-slots, and push in all the way. (The empty foam dart chambers should be pointing toward the front.)



#### 2. Loading Darts

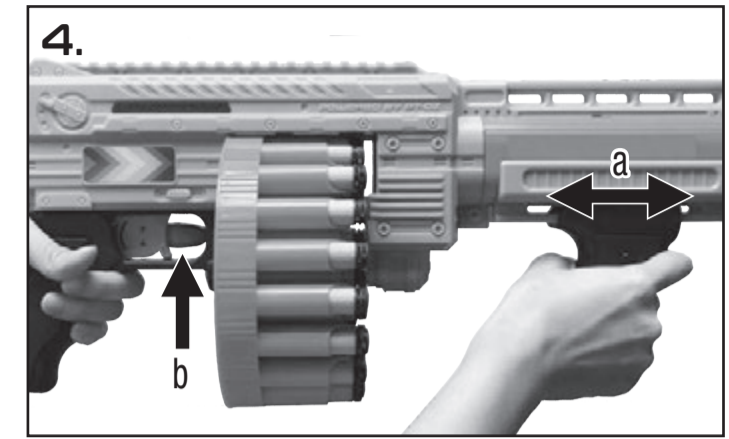
- Your super drum can hold 40 foam darts.
- Insert a dart into each empty chamber. Ensure that each dart has been pushed in all the way (see diagram).
- Rotate the drum manually.

PRIME TIME TOYS	Item Description:	Version:	Pkg Size:	210mm x297mm	Purposes/Remark:
	6387-AU_Villainator_IM		Pkg Type:		
	Client: Brand: DZ	Supplier:	File Name:	6387-AU_Villainator_IM_02-08-24	
Responsible by: _____		Prepared by: Kenji		Approved by: _____	Issue Date: 02-08-2024



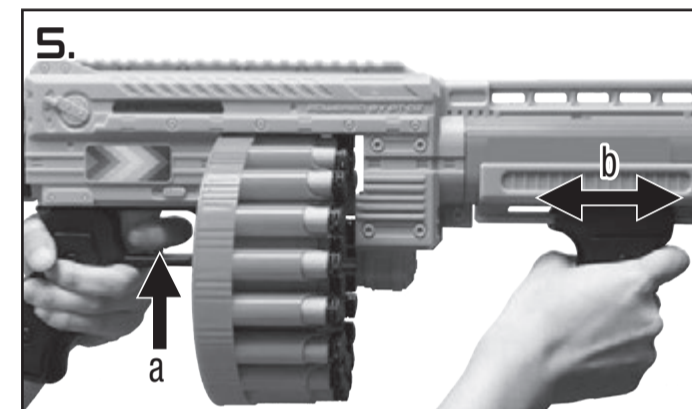
#### 3. Assembling the Tactical Stock

- Push the tactical stock in, until you hear a "click".
- Depress the release button and pull out to remove tactical stock.



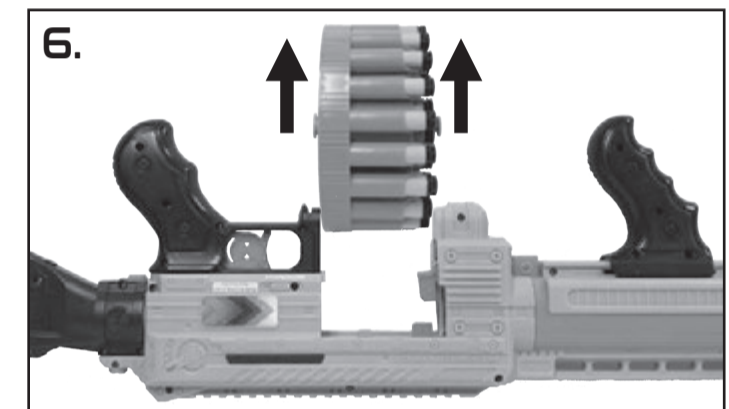
#### 4. Single Fire

- Pull the front handle back and push it out again to load. This will also rotate the ammo drum to advance the next foam dart into position.
- Press trigger to launch a foam dart.



#### 5. Rapid Fire

- Hold the trigger down continuously.
- Slide the front handle backwards and forwards for continuous fire. You can launch the foam darts as fast as you can pump.
- To return to single fire, release the trigger.



#### 6. Removing the Super Drum

- To remove the drum, remove all the foam darts first. Then pull the drum out.

#### WARNING:

- Not suitable for children under 3 years of age. Small Parts. Choking Hazard.
- Do not aim at eyes or face.
- Do not launch at self or animals.
- Do not look directly into the barrel.
- Do not use damaged or modified darts.
- Do not modify this product or any of the included components.
- Do not use projectiles other than those supplied with this product.
- Colours and contents may vary from items shown.
- Remove all packaging before giving this product to your child.
- Please keep packaging for future reference.

MADE IN CHINA

#### Customer Service:

**Kmart AU:** 1800 124 125  
**Kmart NZ:** 0800 945 995  
**Target AU:** 1300 753 567  
**K: 43386888 | T: 69581304**

BLASTERS AND DARTS DESIGNED BY DART ZONE®, DART ZONE® ARE REGISTERED TRADEMARKS OF PRIME TIME TOYS LTD. INTERNATIONAL PATENTS AND OTHER PATENTS PENDING. ALL RIGHTS RESERVED.

KM-6387-AU-0124