

# Instruction Manual

## 3 Tier with Shoe Rack

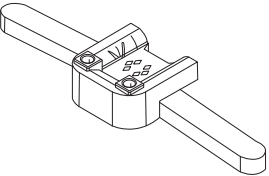
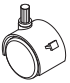

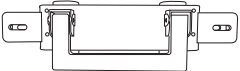
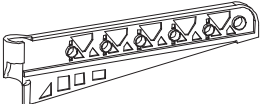
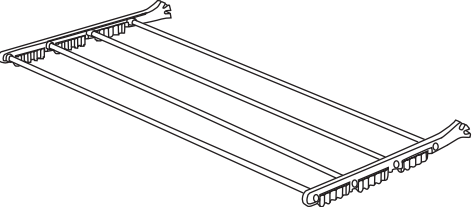
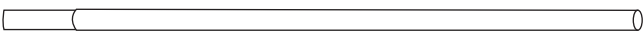
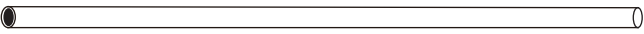
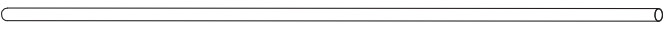
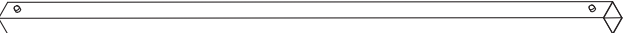
K:43-386-901 | T:69-287-169

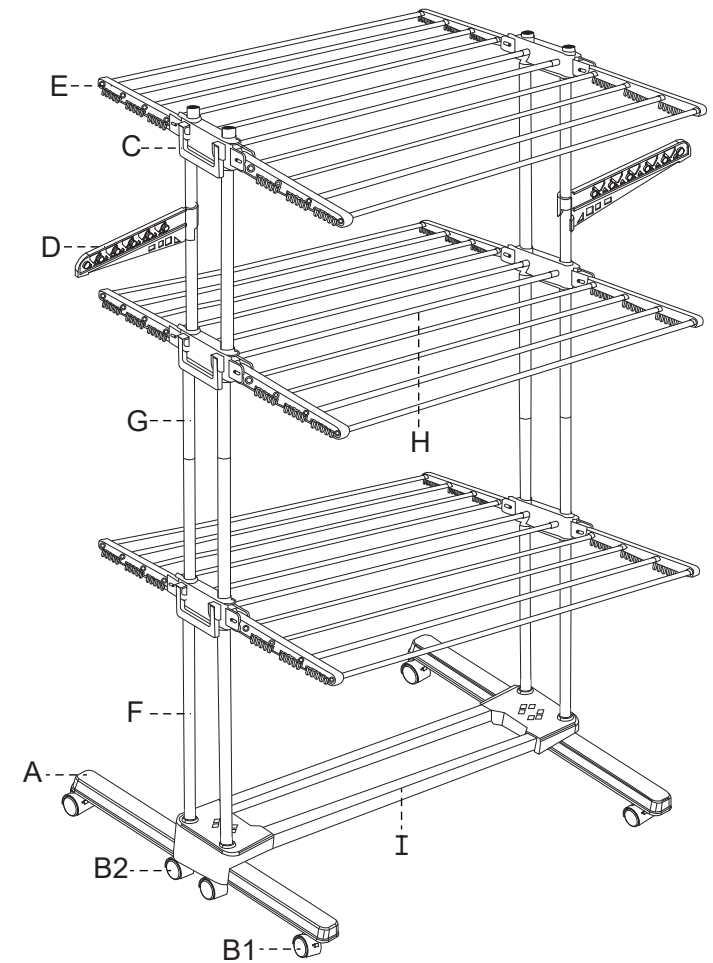
**CARE INSTRUCTION:** WIPE CLEAN WITH A SOFT DRY OR DAMP CLOTH. KEEP AWAY FROM WATER AND DIRECT SUNLIGHT. FOR INDOOR AND DOMESTIC USE. CHECK AND TIGHTEN ALL PARTS REGULARLY.

**WARNING:** DO NOT STAND ON THE UNIT. DO NOT LEAN ON THE PRODUCT. DO NOT USE UNTIL ALL SCREWS, BOLTS AND KNOBS ARE FIRMLY SECURED. THIS PRODUCT CONTAINS SMALL PARTS AND SHARP POINTS, KEEP AWAY FROM CHILDREN AND BABIES. ADULT ASSEMBLY REQUIRED. FAILURE TO FOLLOW THESE WARNINGS COULD RESULT IN SERIOUS INJURY.

**MAXIMUM TOTAL LOADING WEIGHT:** EACH HANGER 1KG; EACH PALLET 2KG; EACH MIDDLE BAR 0.5KG; BOTTOM BASE 3KG  
20KGS IN TOTAL.

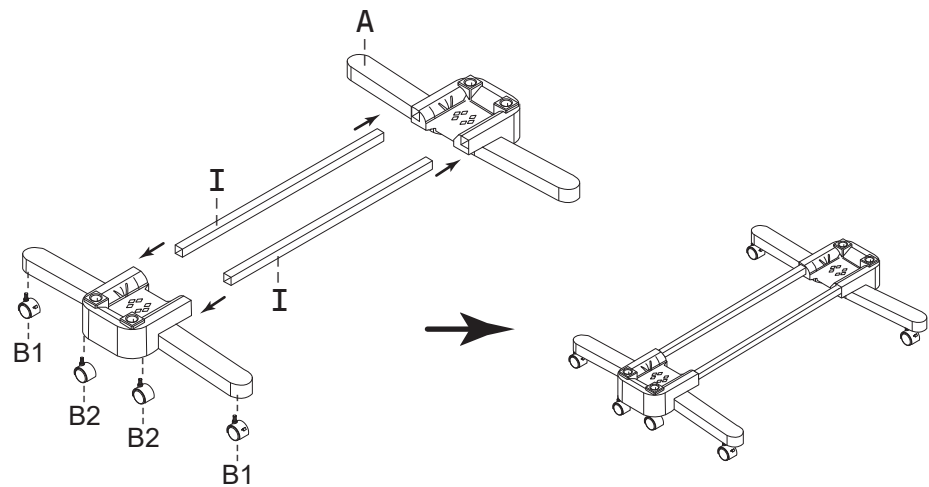
### Hardware list

					
A	2PCS	B1	4PCS	B2	4PCS
					
C	6PCS	D	2PCS		
				E	6PCS
				F	4PCS
				G	4PCS
				H	6PCS
				I	2PCS

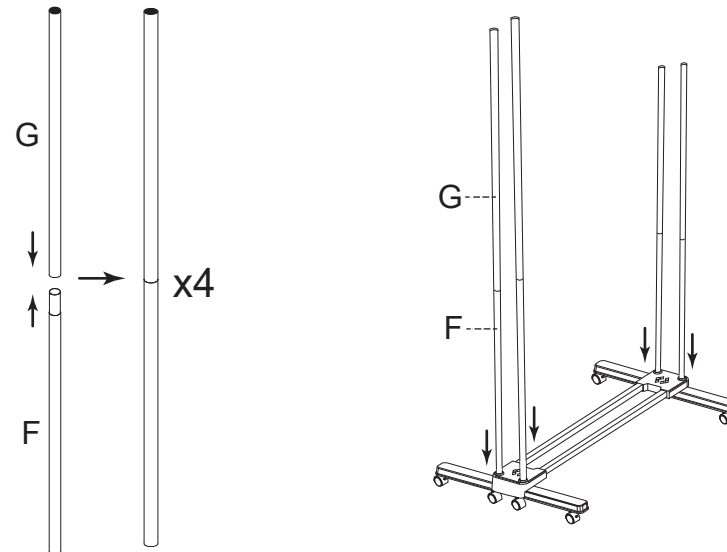


When using, be sure to keep the loading on both sides at the same time

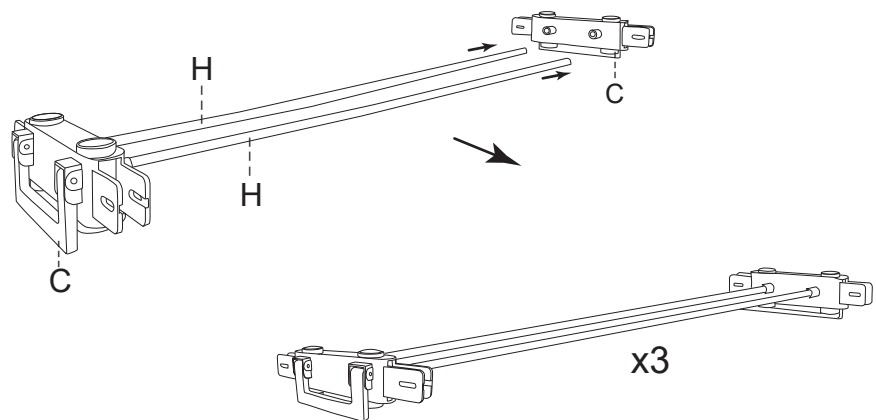
### STEP 1



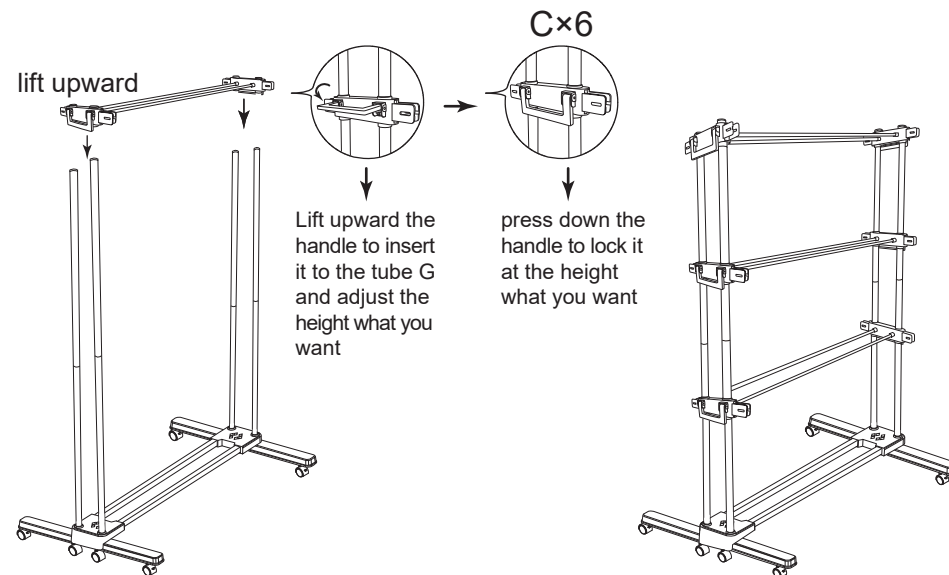
### STEP 2



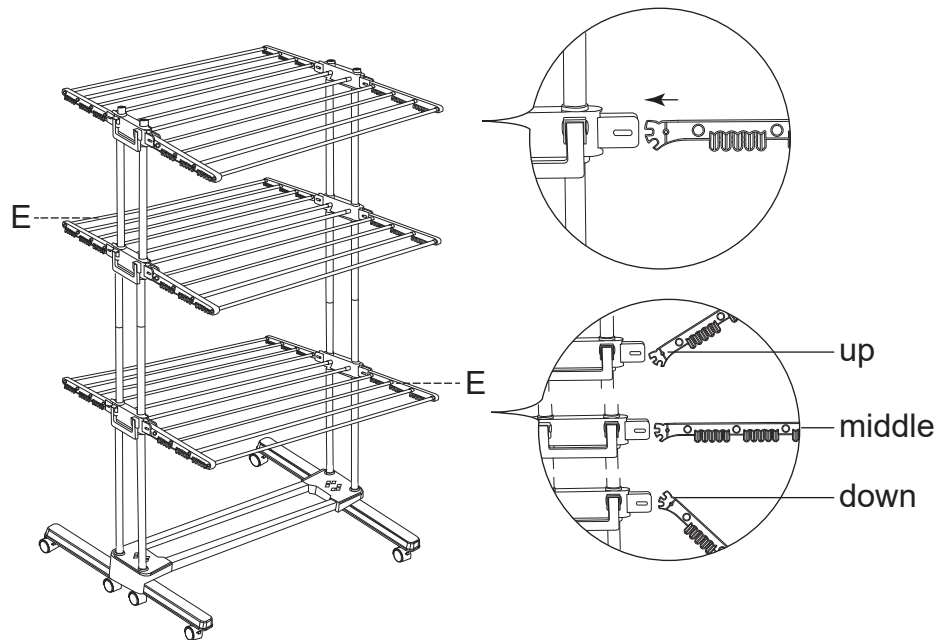
### STEP 3



### STEP 4



STEP 5



STEP 6

