

Instructions

6+
years



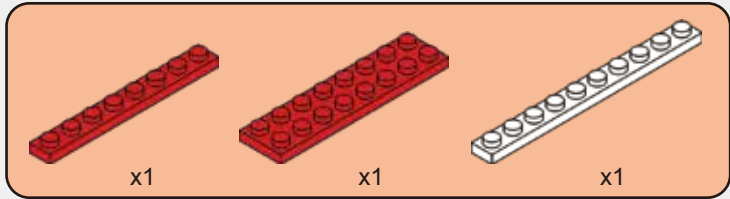
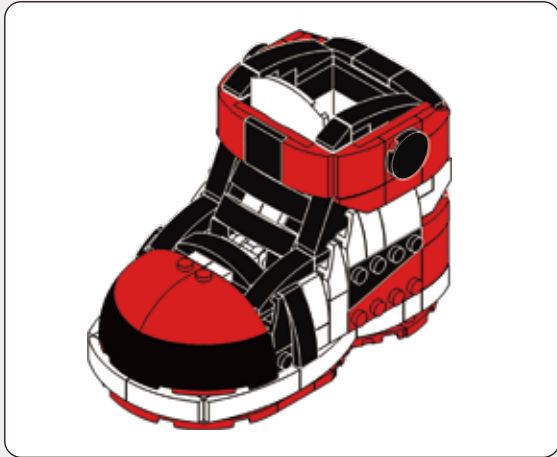
Fashion
Series

282
PIECES

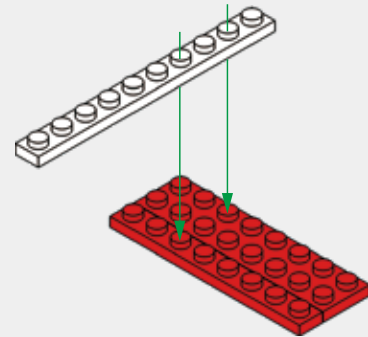
Difficulty Level

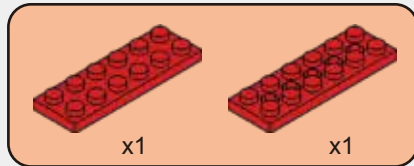
 **WARNING: CHOKING HAZARD**
SMALL PARTS. NOT FOR CHILDREN UNDER 3 YEARS.

Sport Shoe

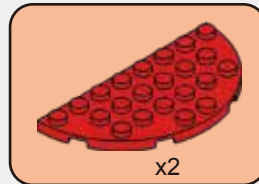
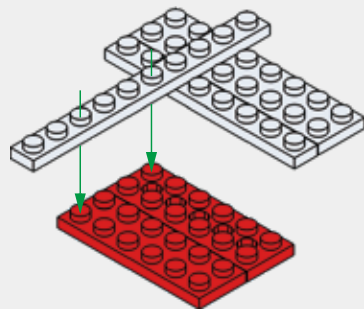


1

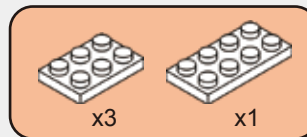
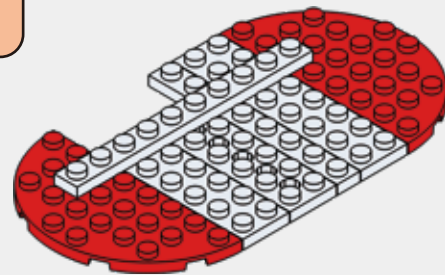




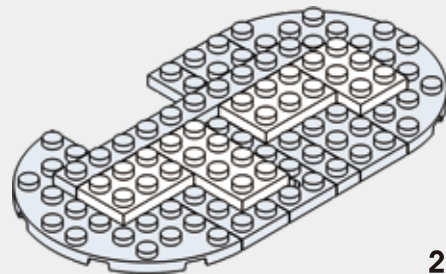
2



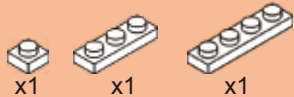
3



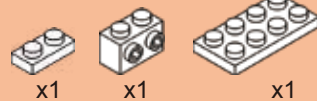
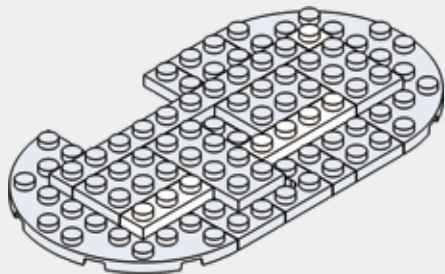
4



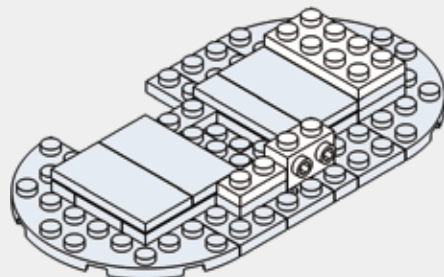
2



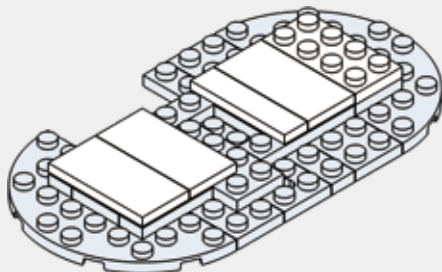
5



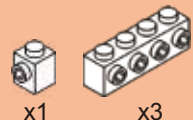
7



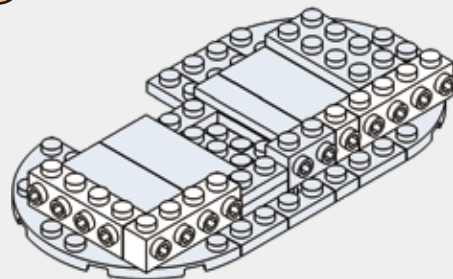
6

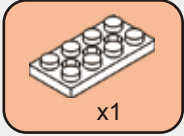


3



8

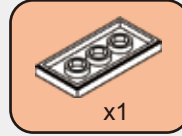
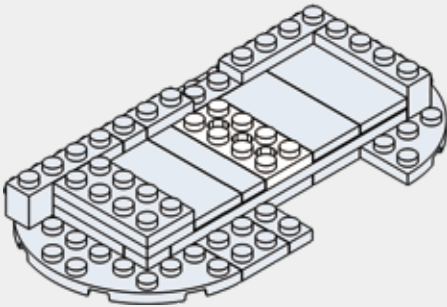




9-1



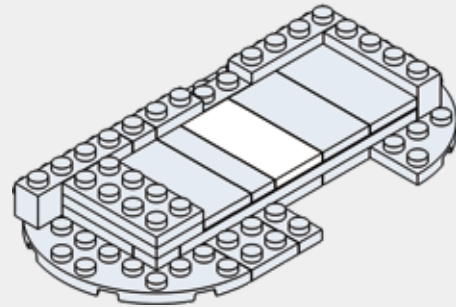
(Use of meat flowerpots
please follow step 9-1
to build)

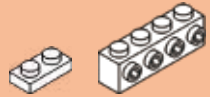


9-2



(For pen holder use,
please follow step
9-2)

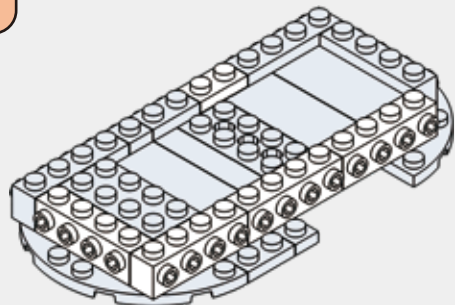




x1

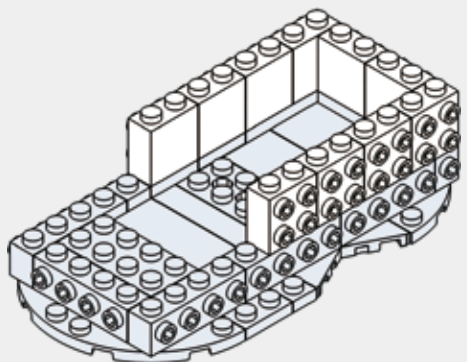
x4

10



x10

12

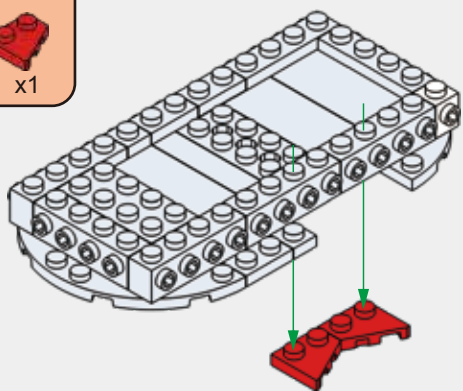


x1

x1

x1

11



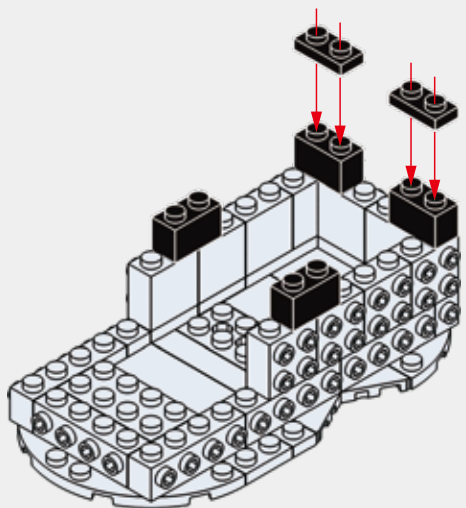
5

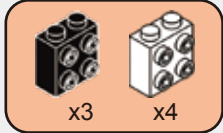


x2

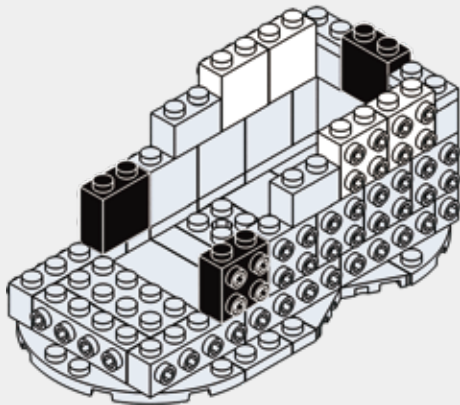
x4

13

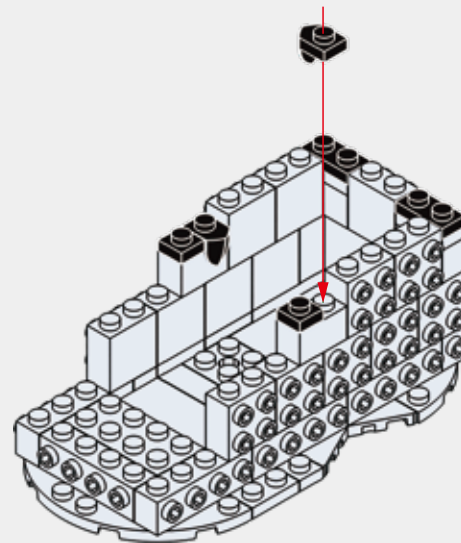


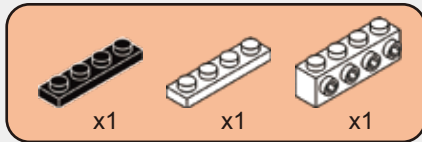


14

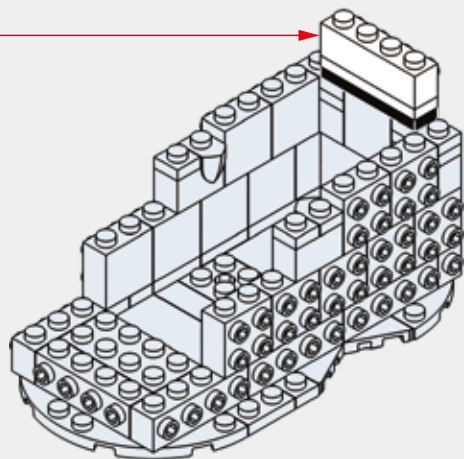
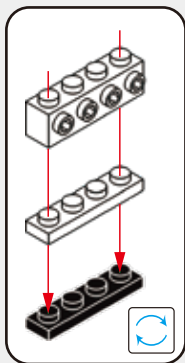


15

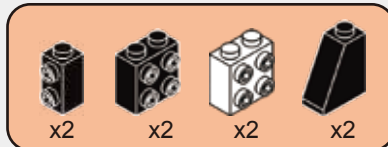




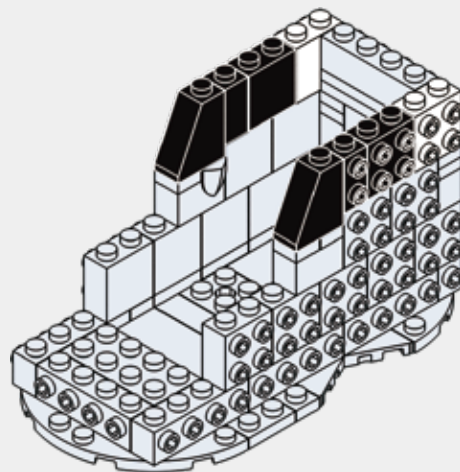
16

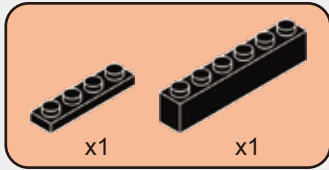


7

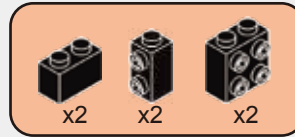
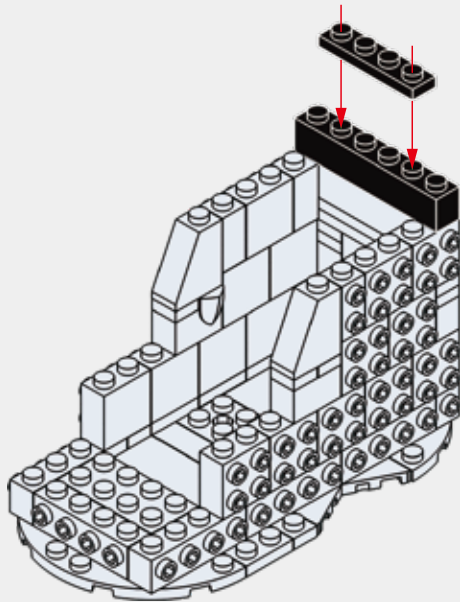


17

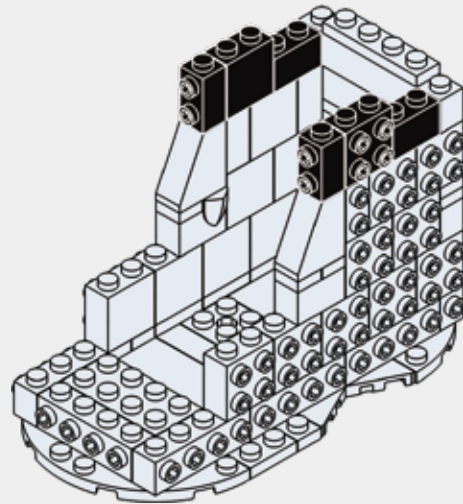


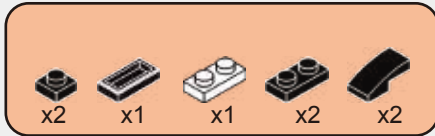


18

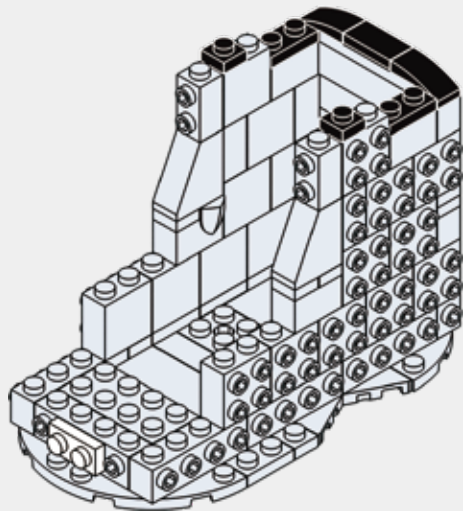


19

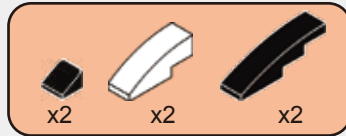




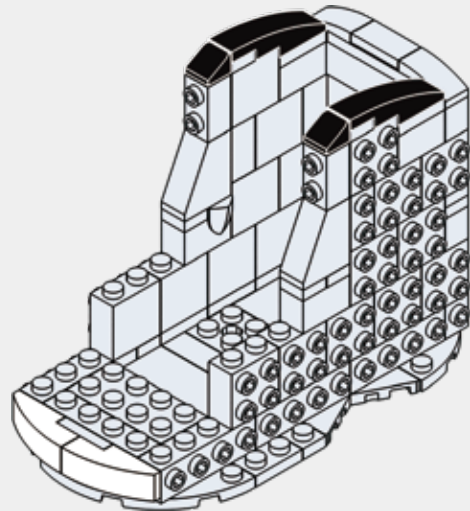
20



9



21

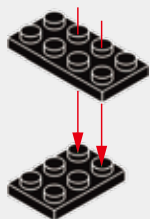




x1

x1

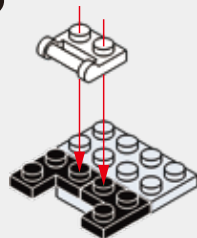
22



x2

x1

23

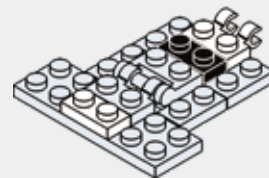


x1

x1

x1

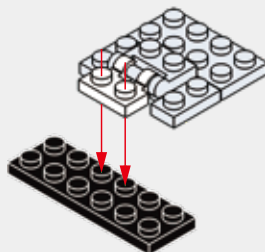
25



x1

x1

24

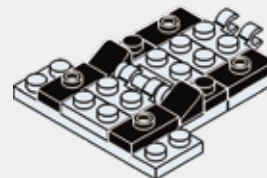


x2

x2

x4

26



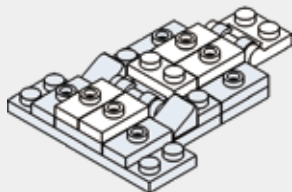


x4

x1

x1

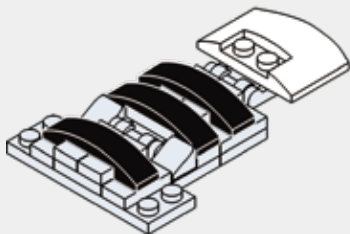
27



x3

x1

28

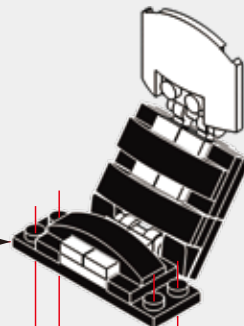


11

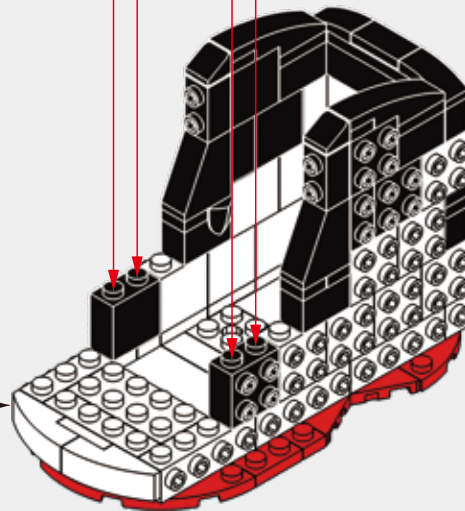
29

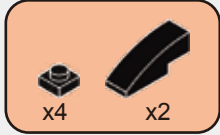


28

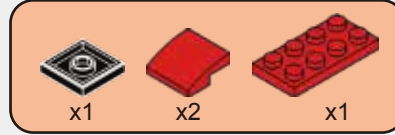
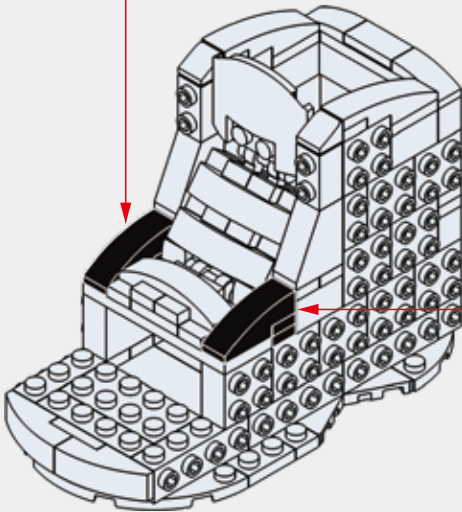
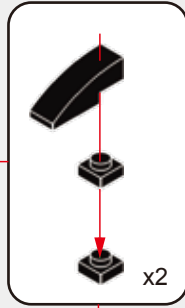


21

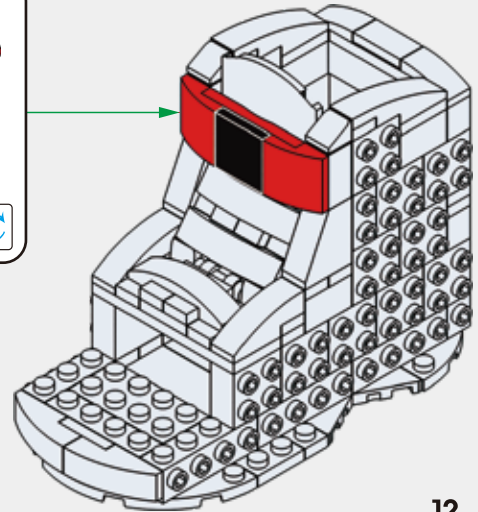
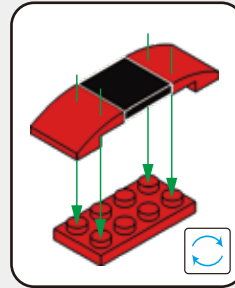


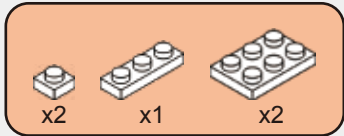


30

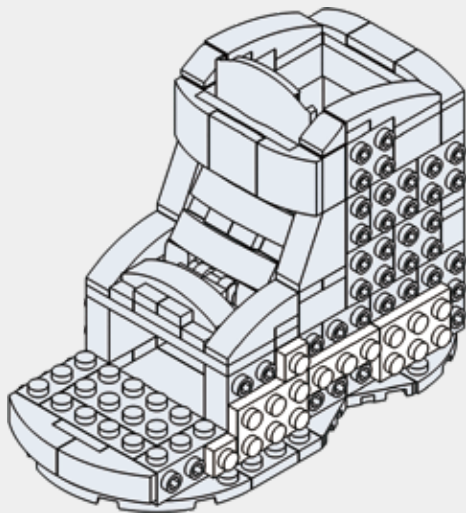


31

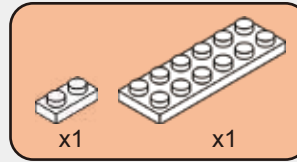




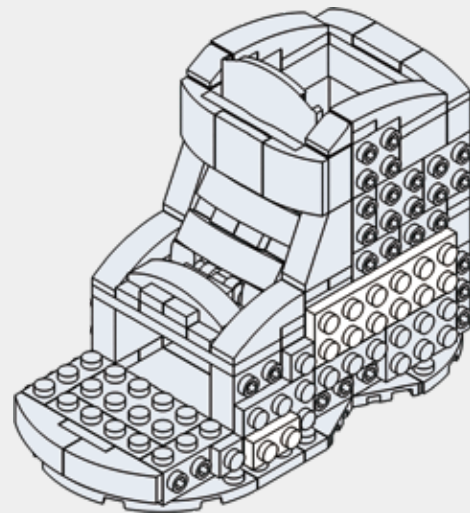
32

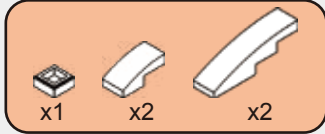


13

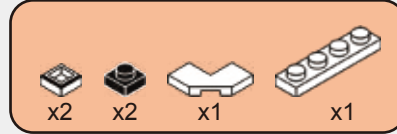
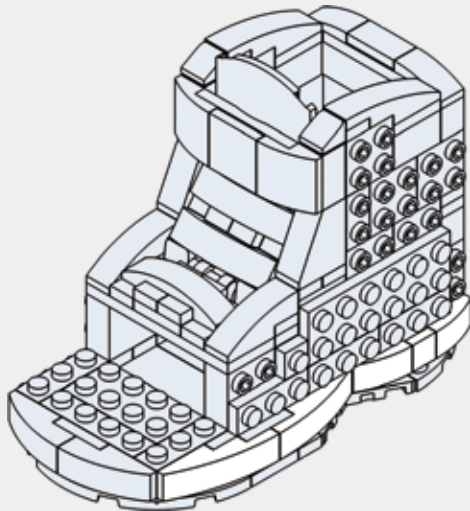


33

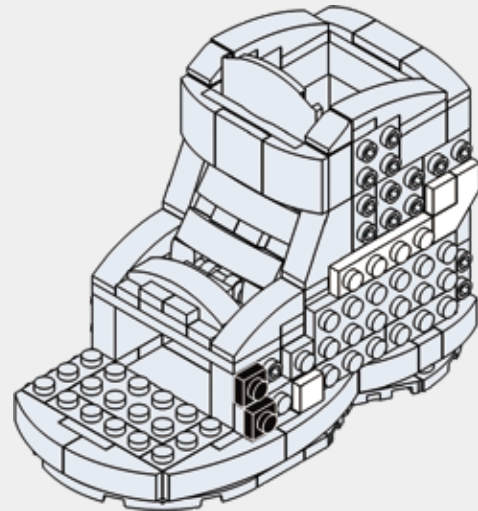


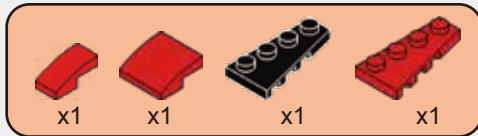


34

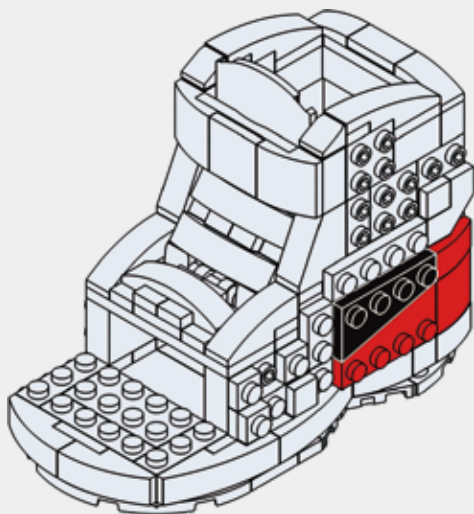


35

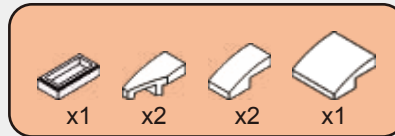




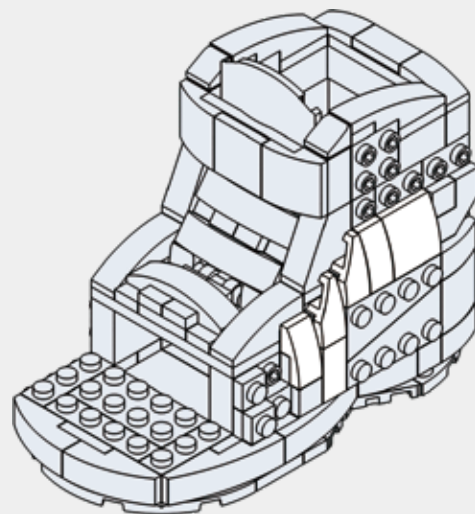
36

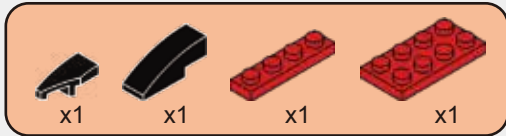


15

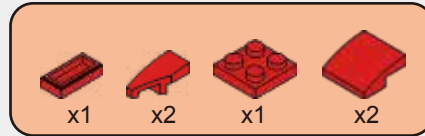
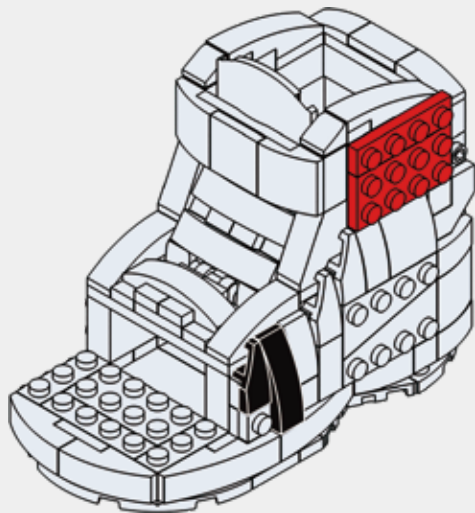


37

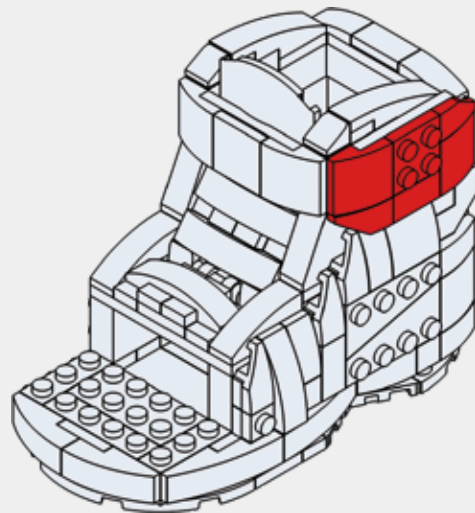


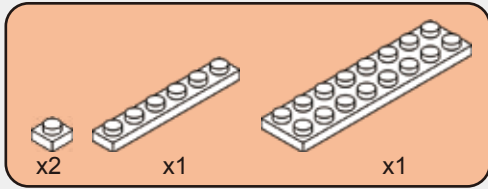


38

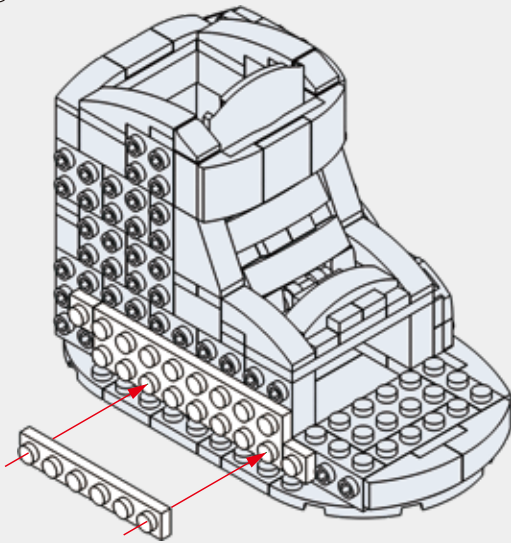


39

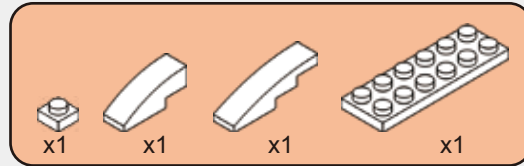




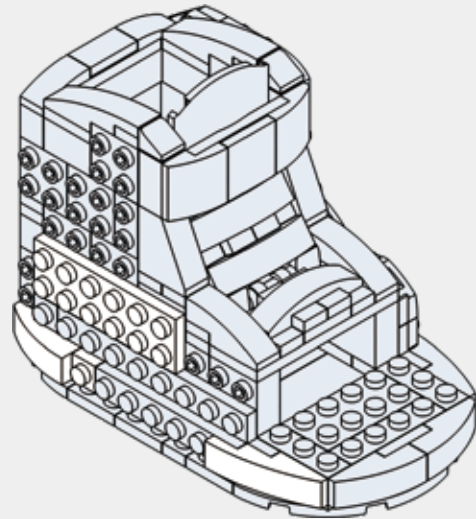
40

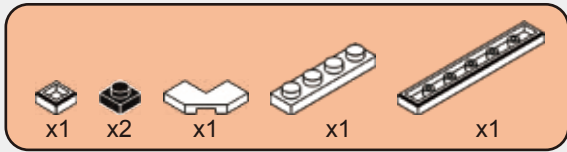


17

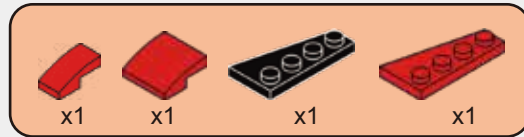
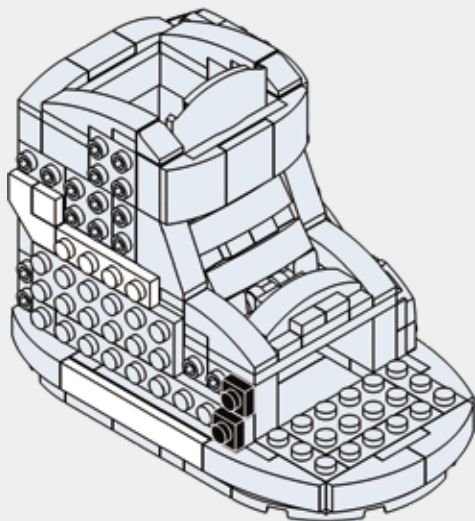


41

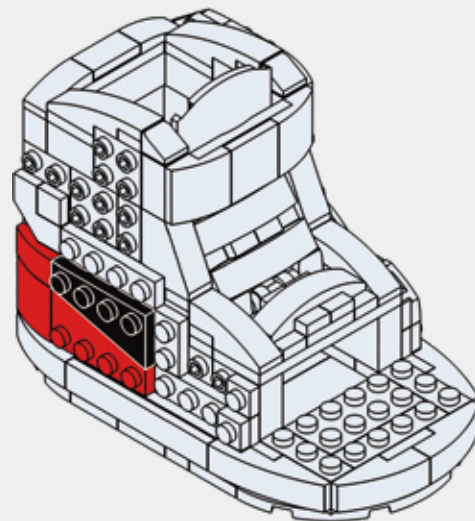


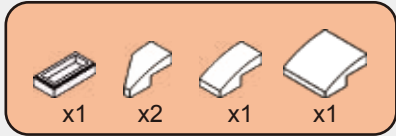


42

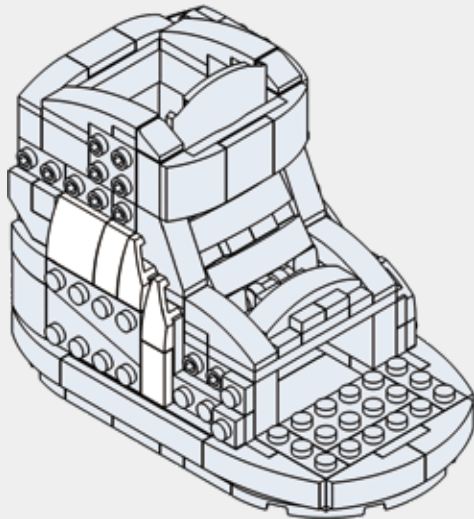


43

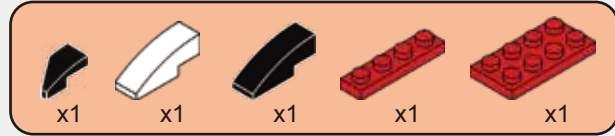




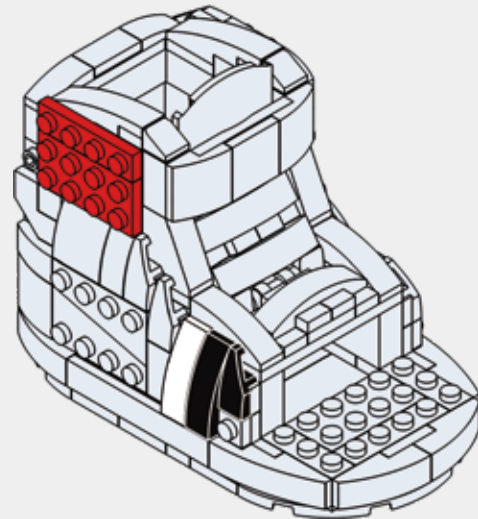
44

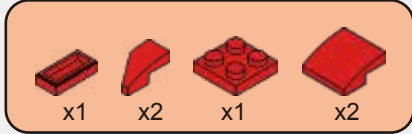


19

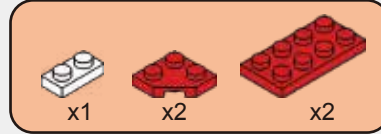
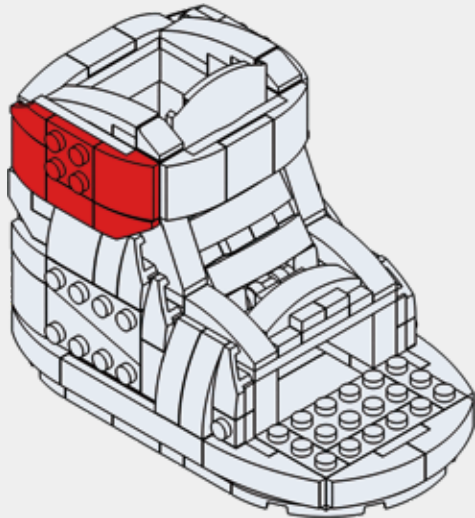


45

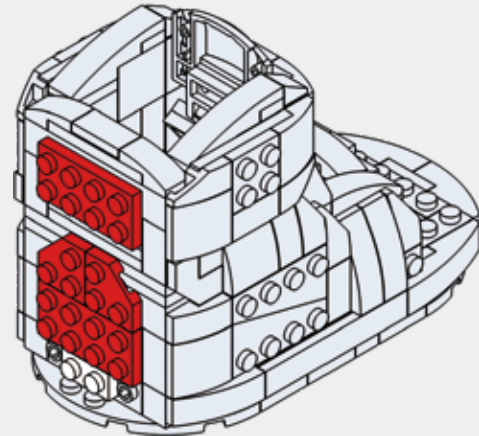


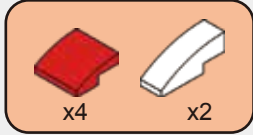


46

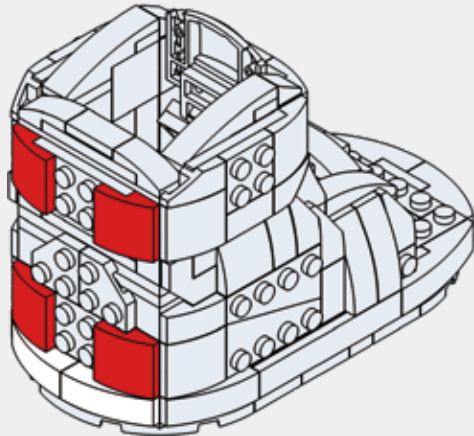


47

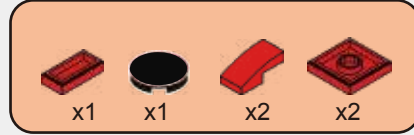




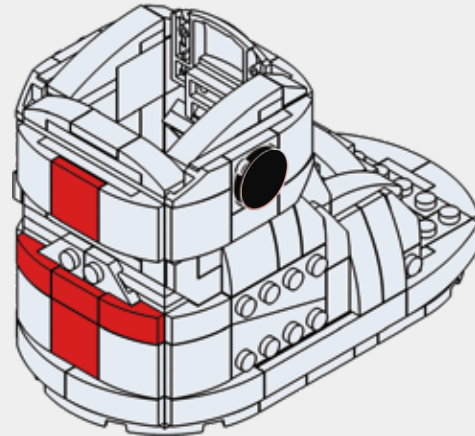
48

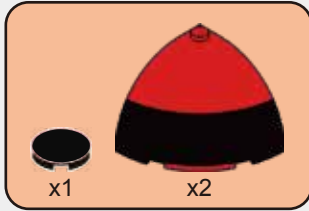


21

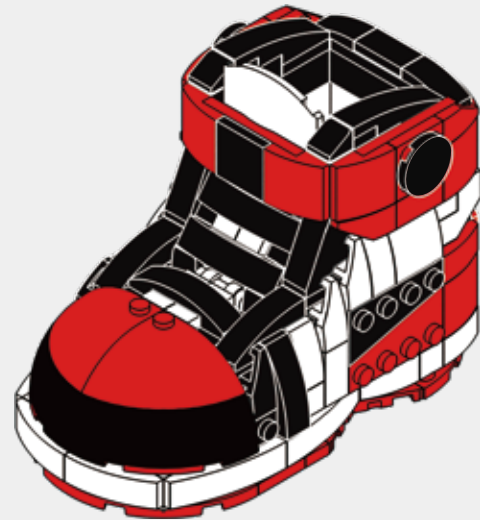
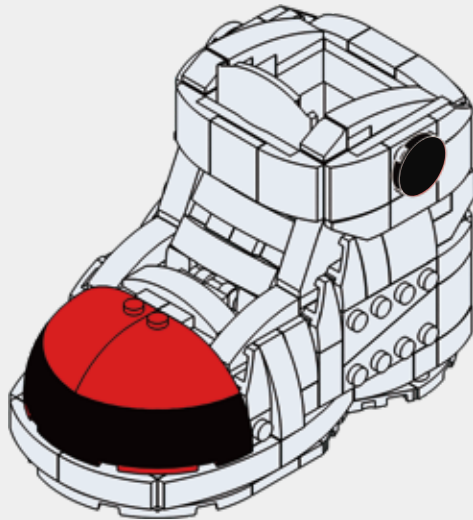


49





50



miniblocks

› 2 designs to collect



Instructions

6+
years



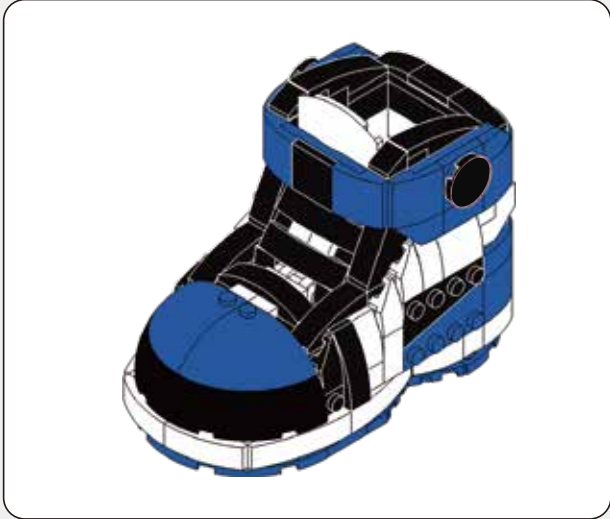
Fashion
Series

282
PIECES

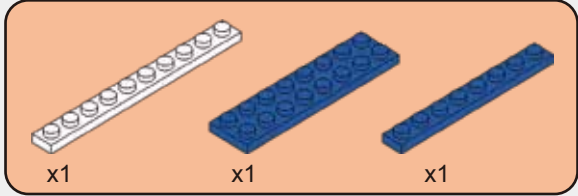
Difficulty Level

 **WARNING: CHOKING HAZARD**
SMALL PARTS. NOT FOR CHILDREN UNDER 3 YEARS.

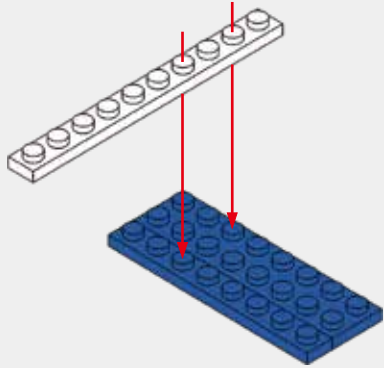
Sport Shoe

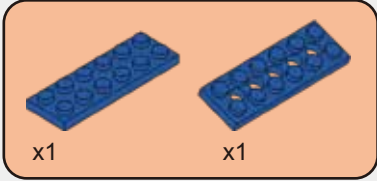


1

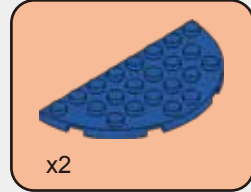
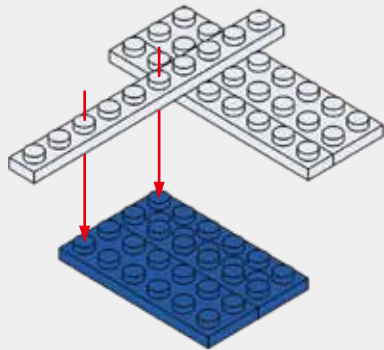


1

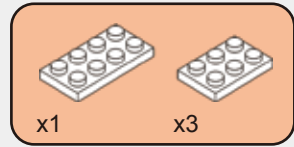
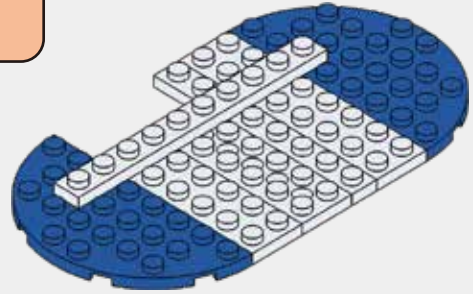




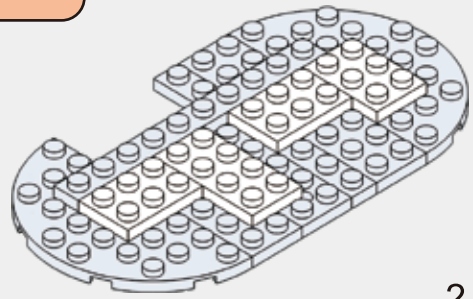
2



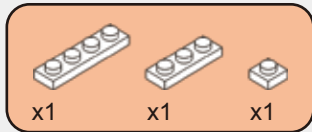
3



4

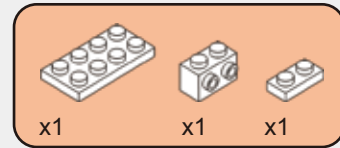
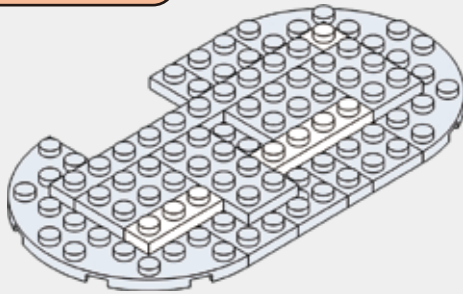


2



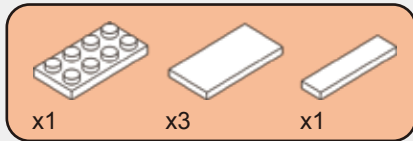
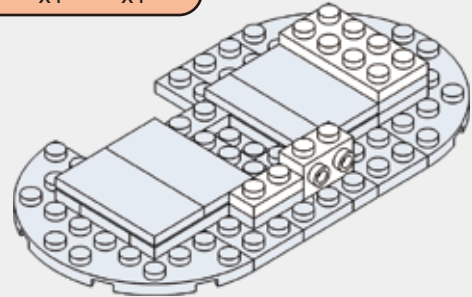
x1 x1 x1

5



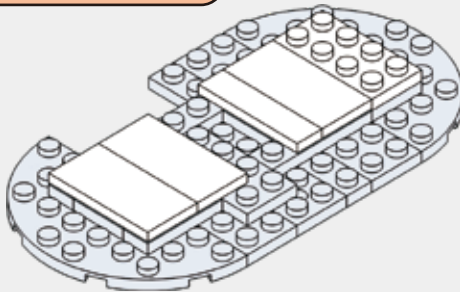
x1 x1 x1

7

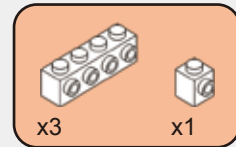


x1 x3 x1

6

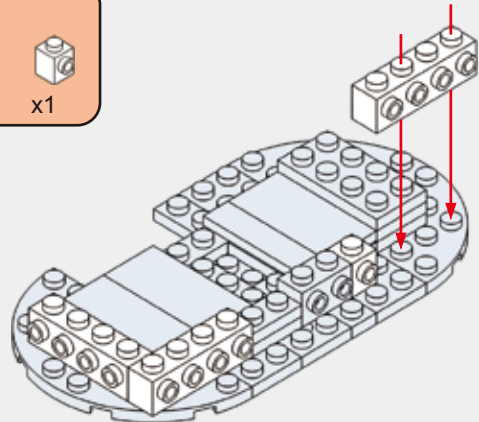


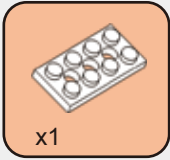
3



x3 x1

8



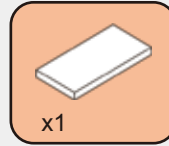
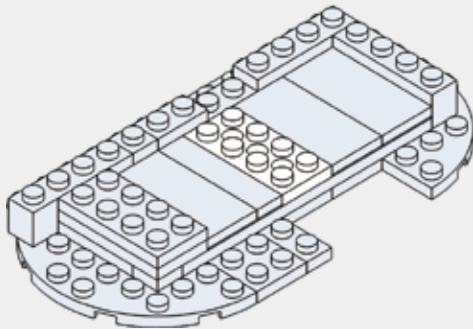


x1

9-1



(Use of meat flowerpots please follow step 9-1 to build)

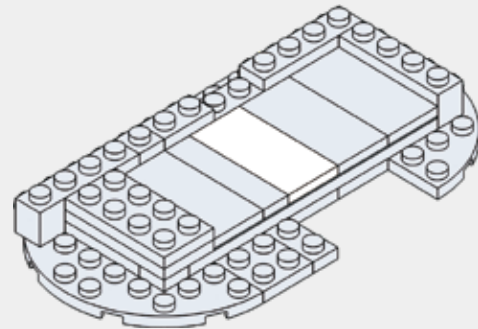


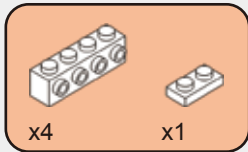
x1

9-2

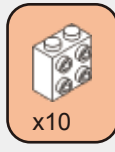
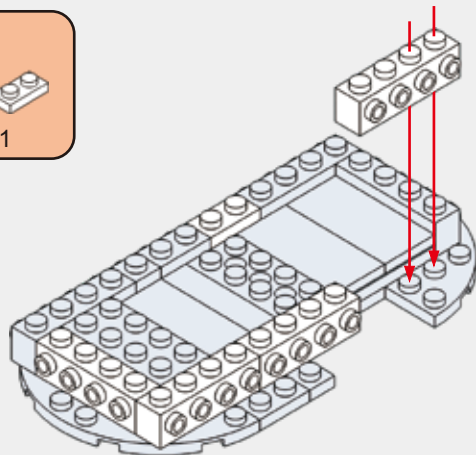


(For pen holder use, please follow step 9-2)

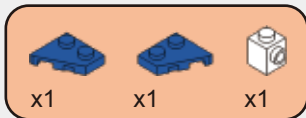
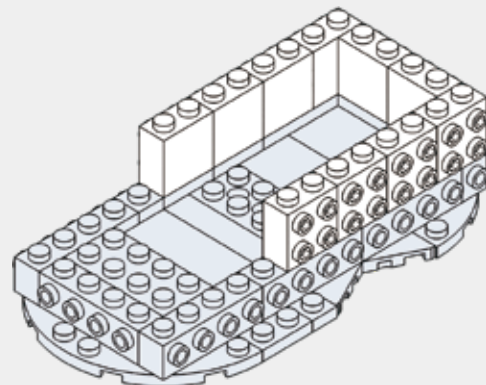




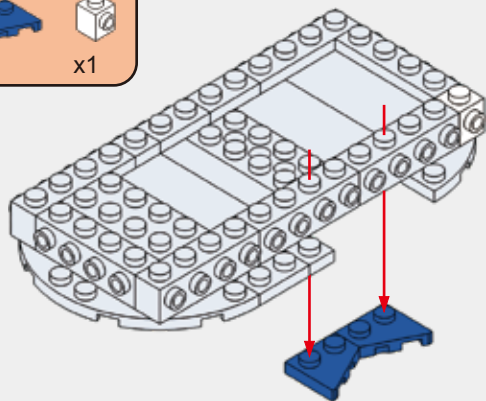
10



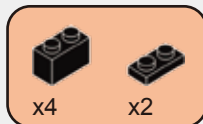
12



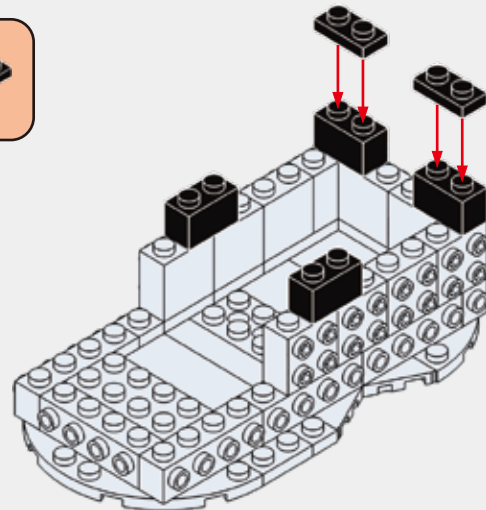
11

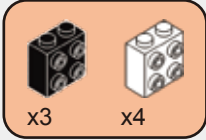


5

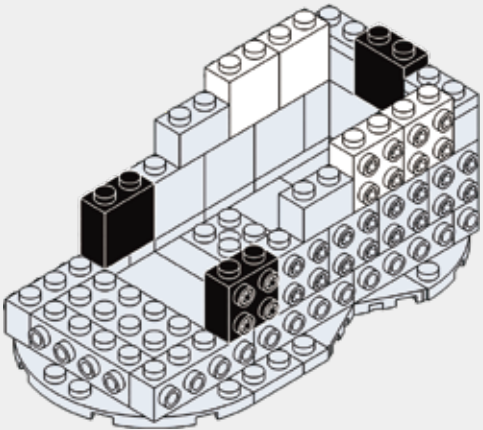


13

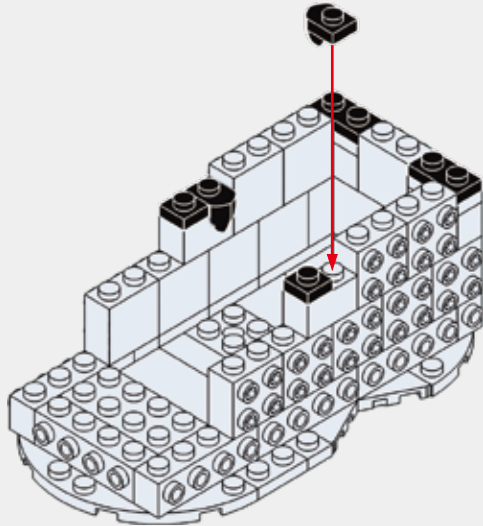


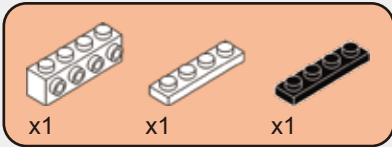


14

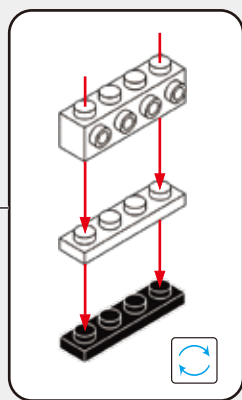
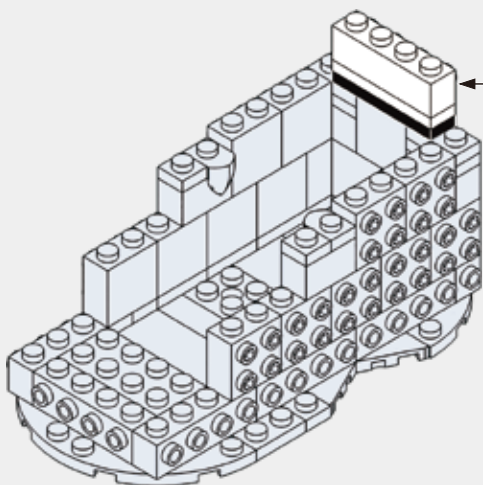


15

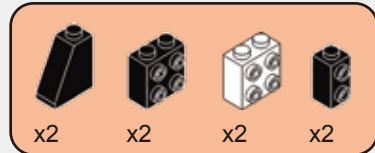




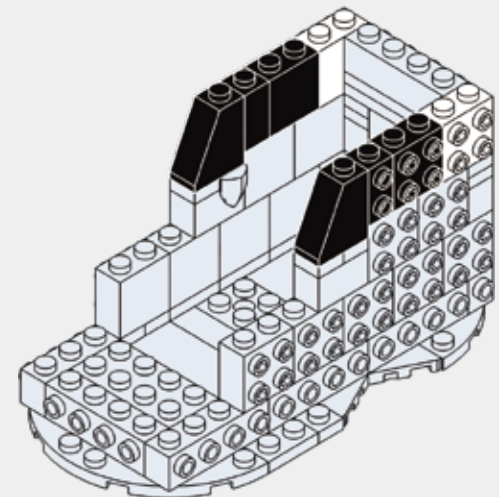
16

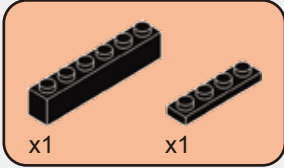


7

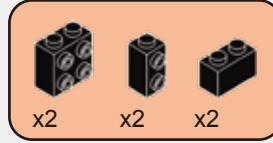
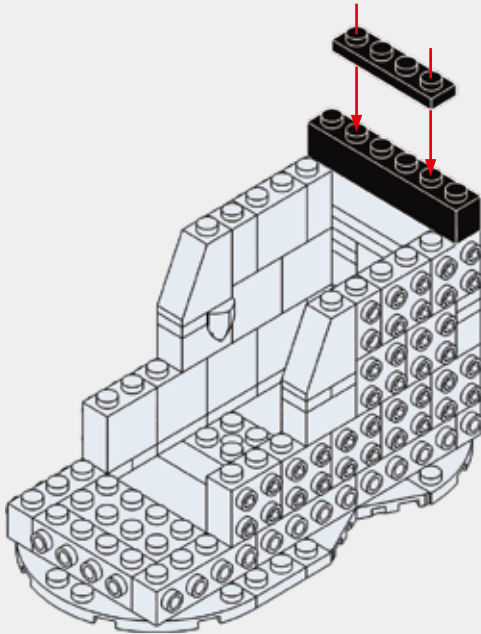


17

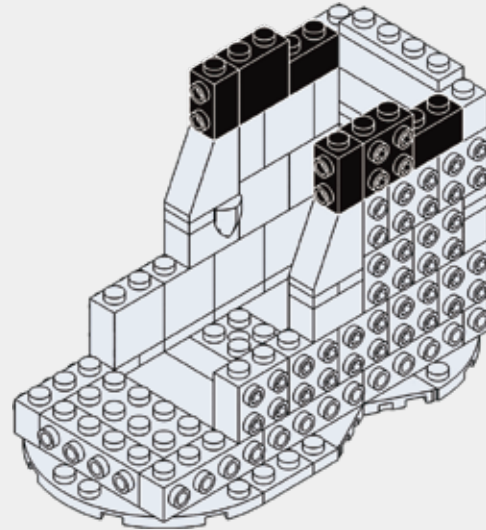


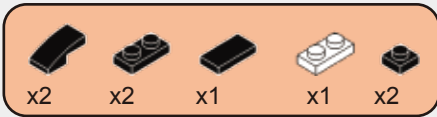


18

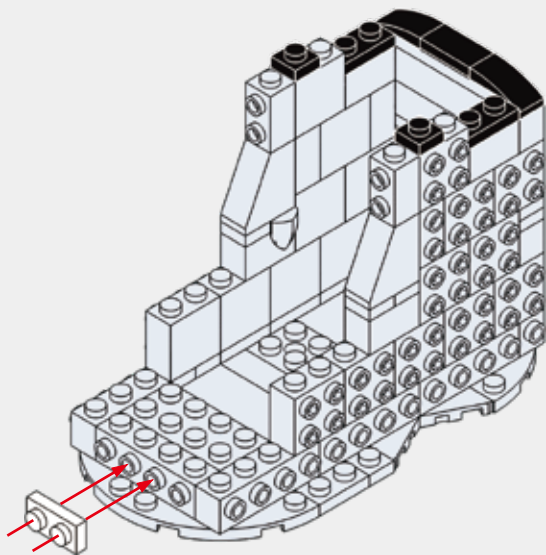


19

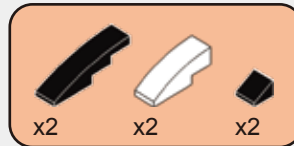




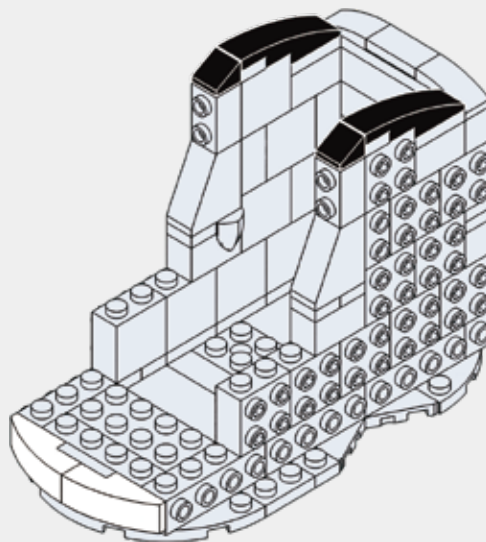
20

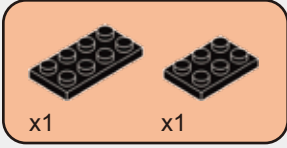


9

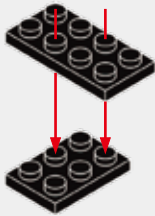


21

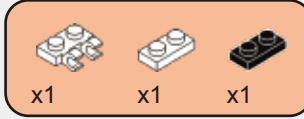
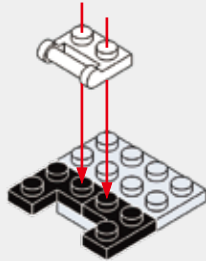




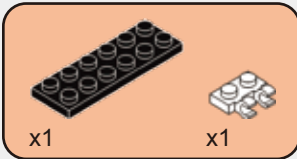
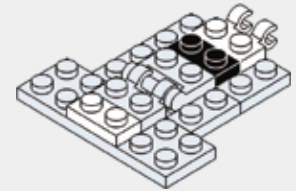
22



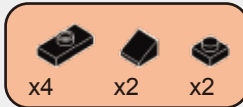
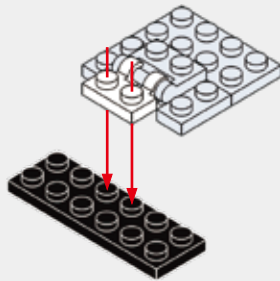
23



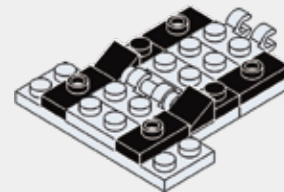
25



24



26



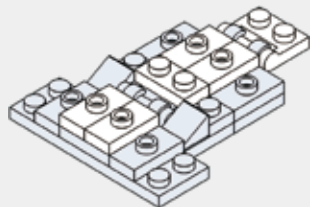


x1

x4

x1

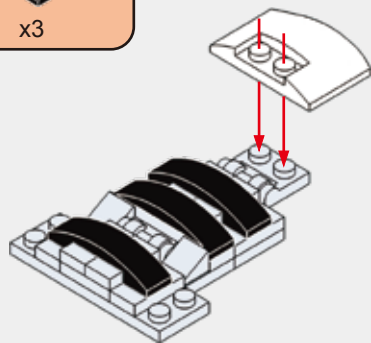
27



x1

x3

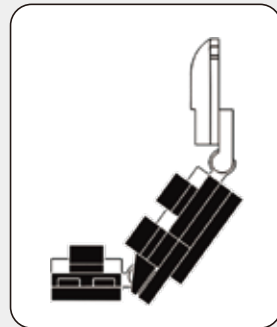
28



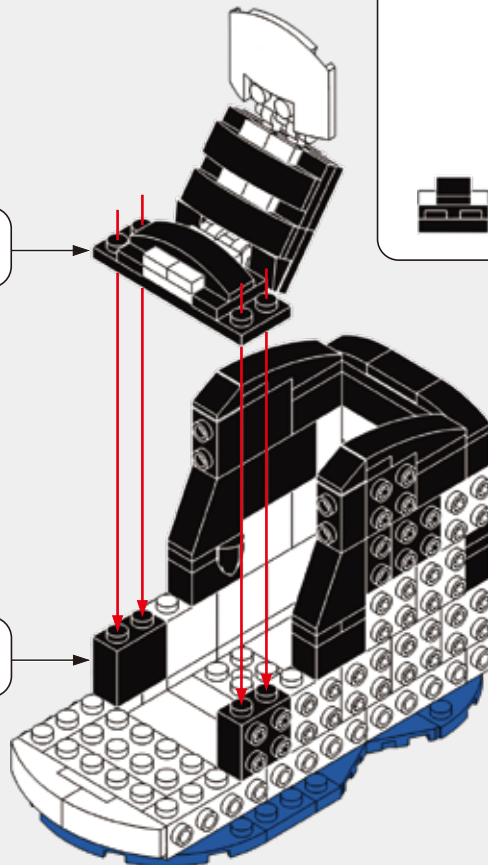
11

29

28

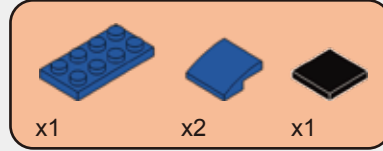
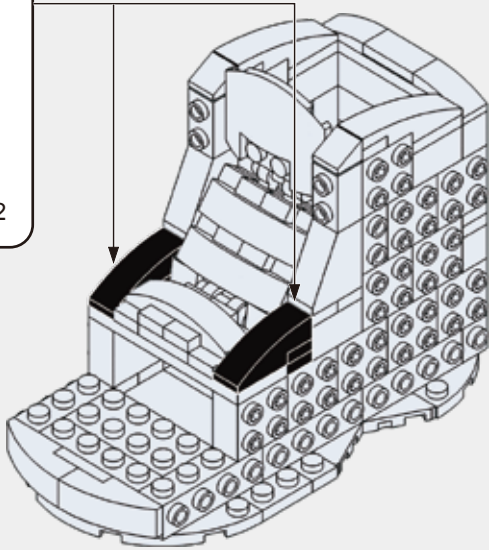
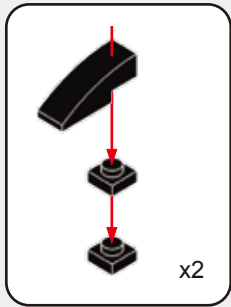


21

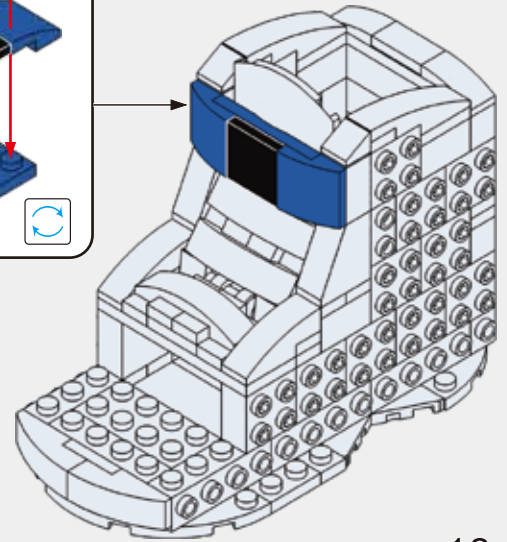
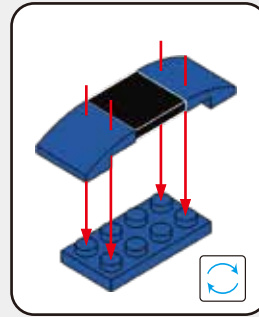


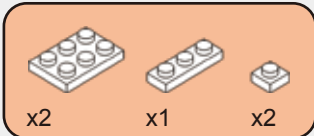


30

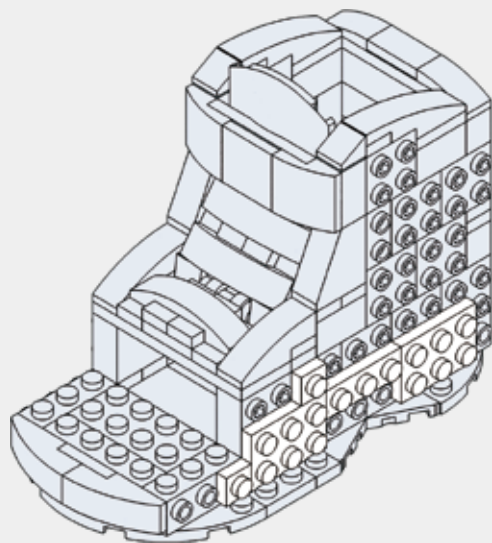


31

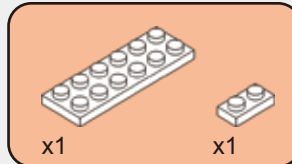




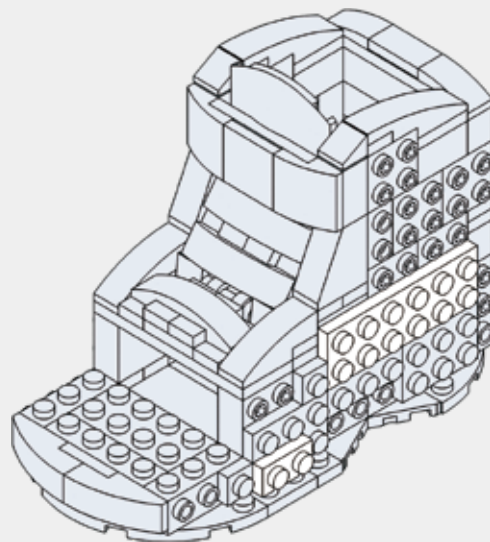
32

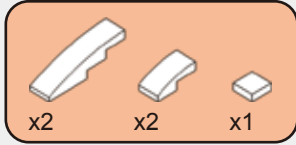


13

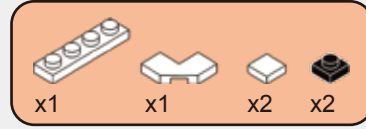
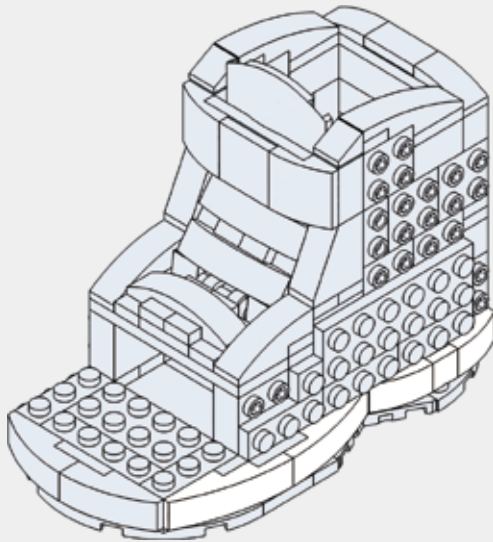


33

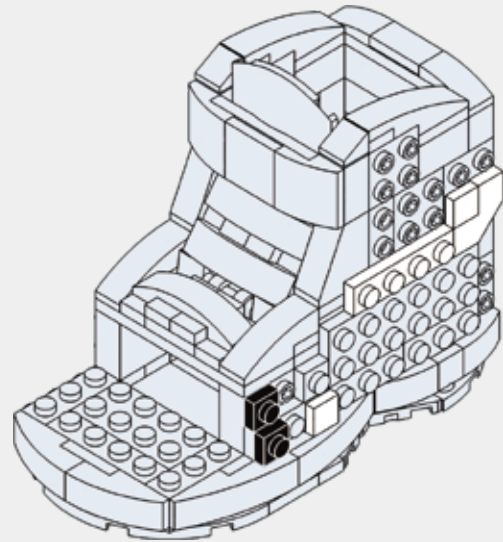




34



35





x1



x1

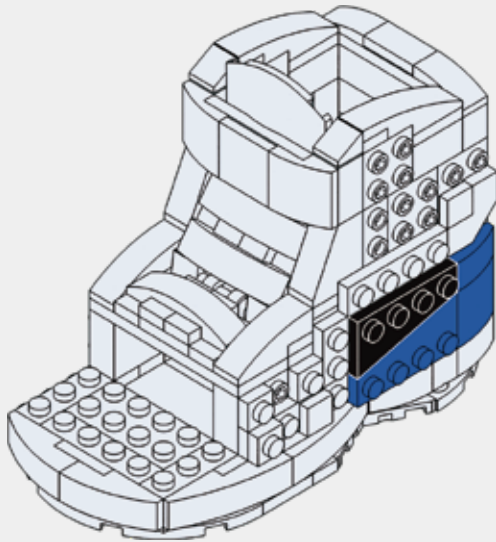


x1



x1

36



15



x1



x2

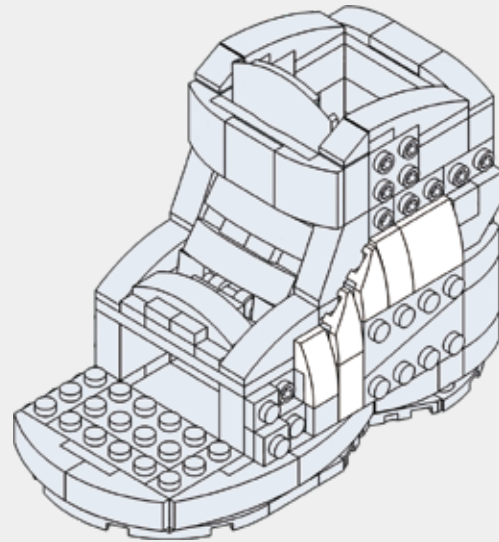


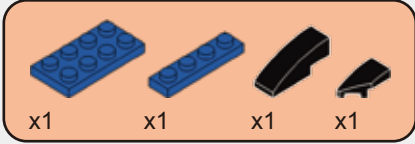
x2



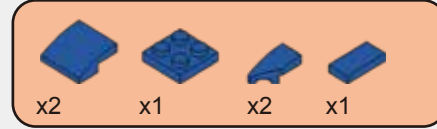
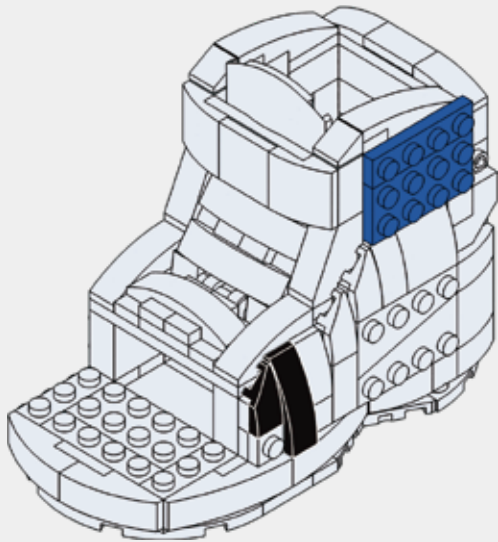
x1

37

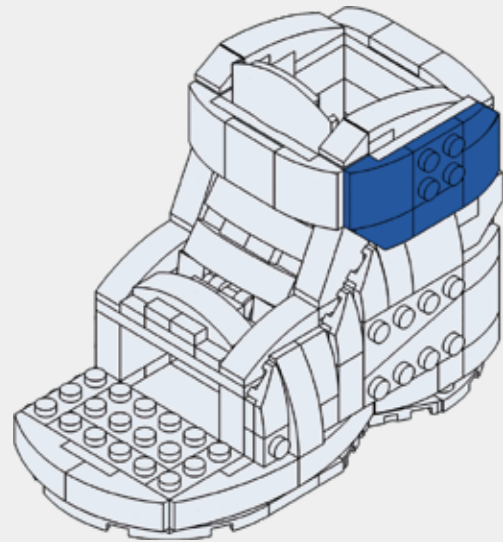


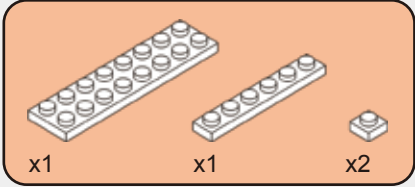


38

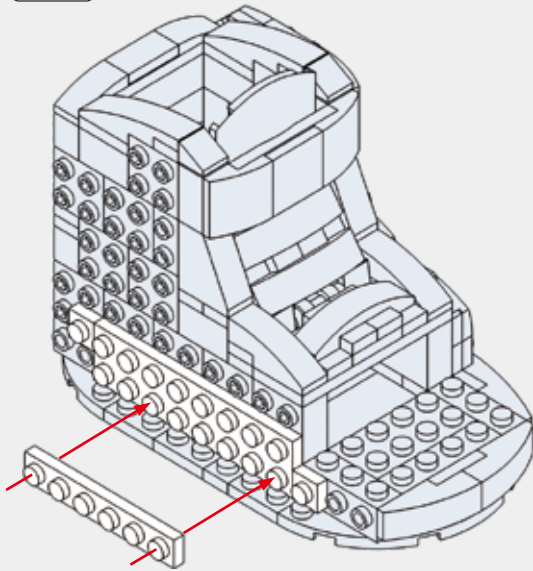


39

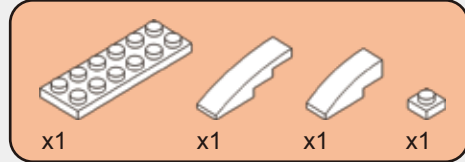




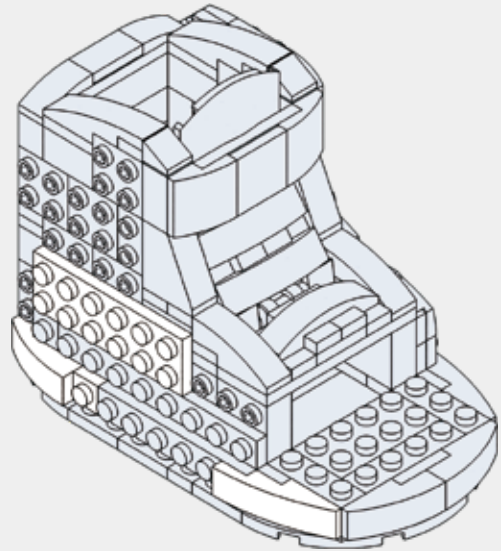
40

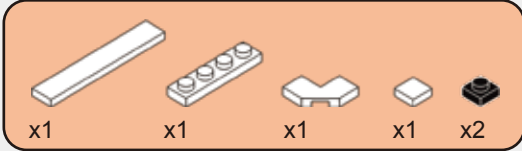


17

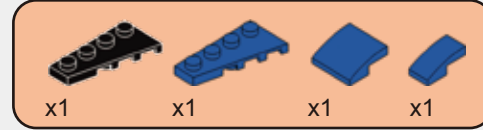
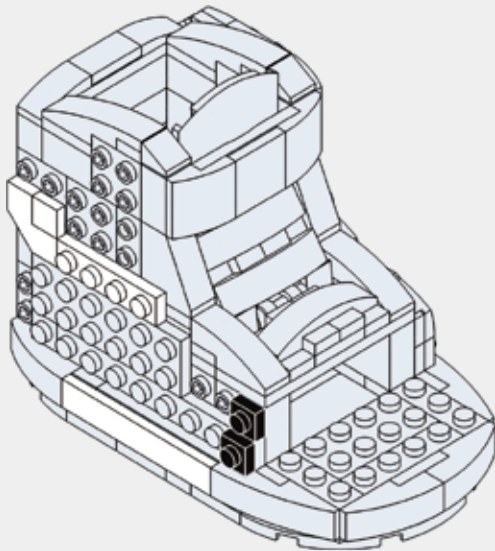


41

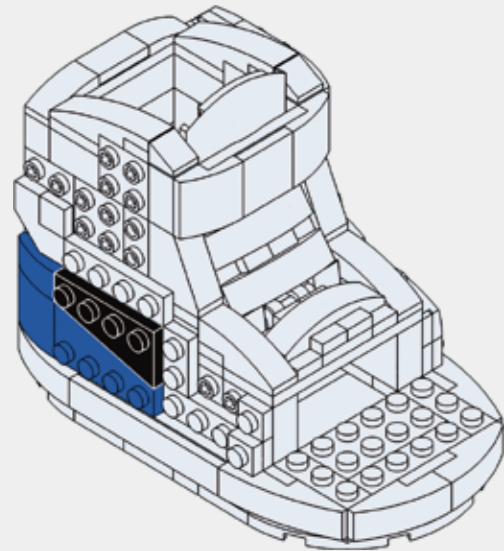


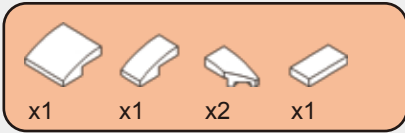


42

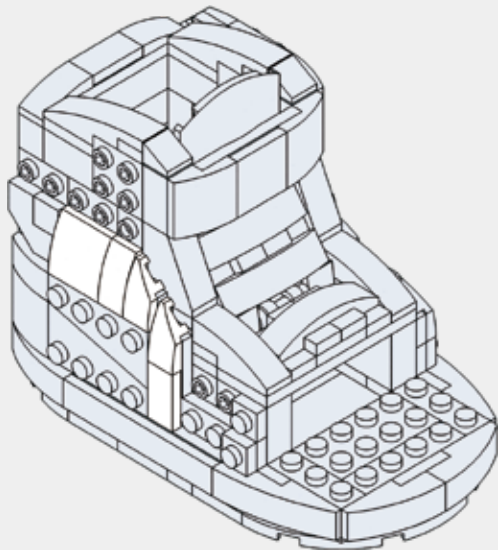


43

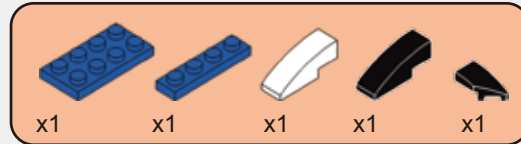




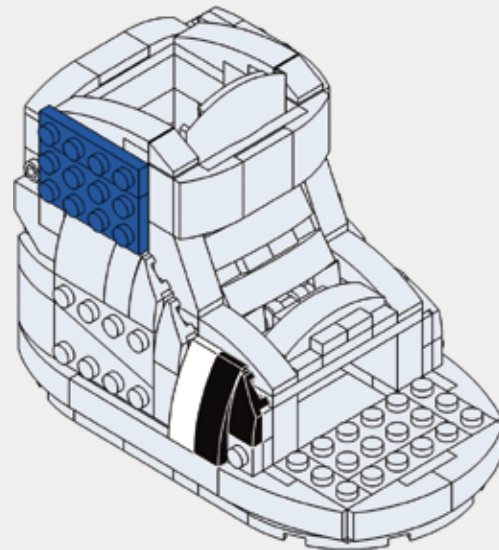
44

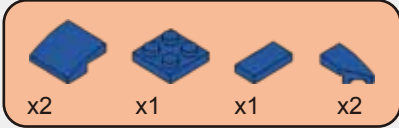


19

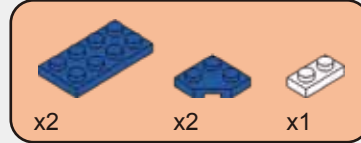
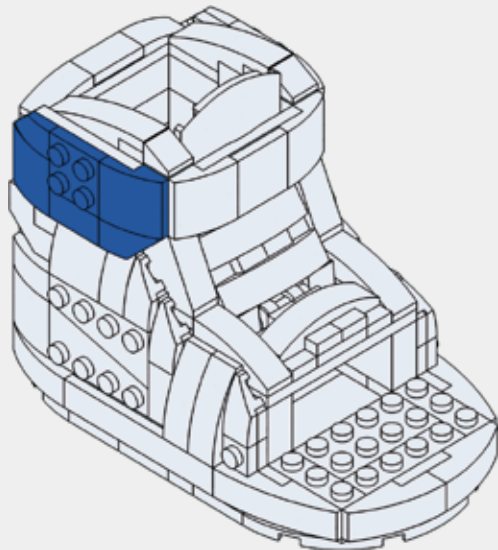


45

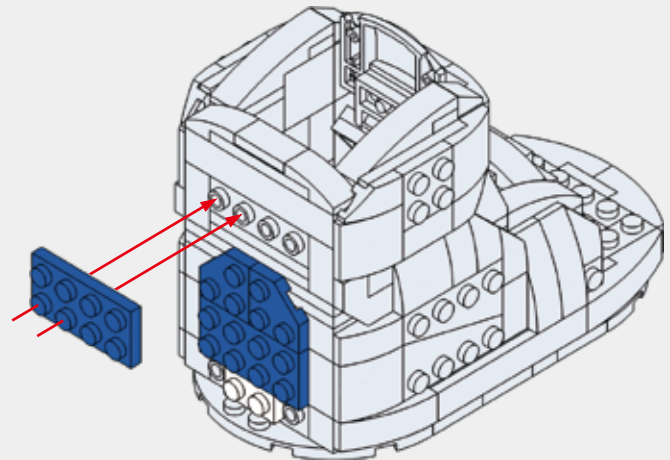


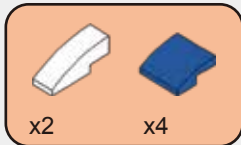


46

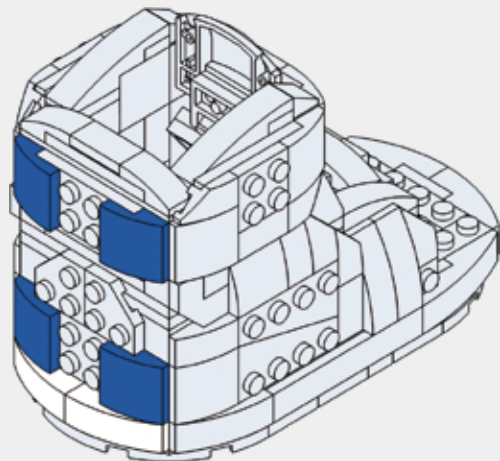


47

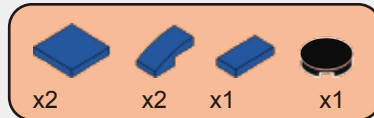




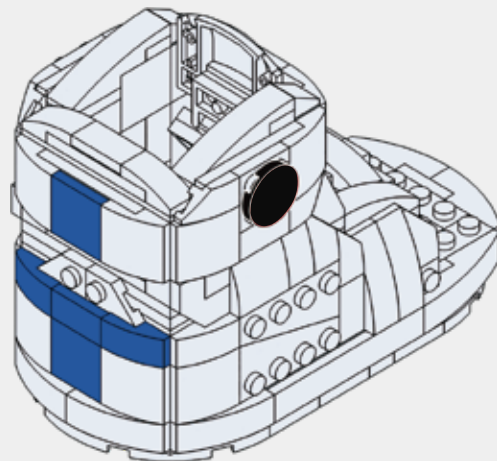
48

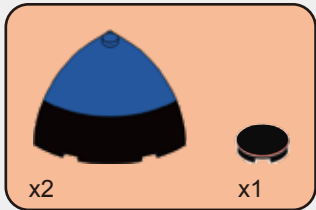


21

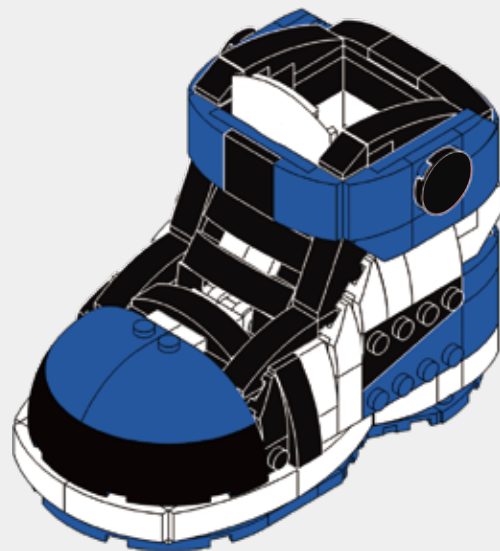
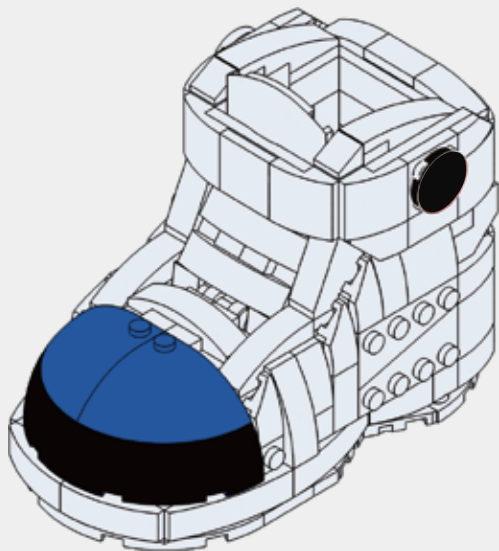


49





50



miniblocks

› 2 designs to collect

