

Assembly Instructions

K:43387908 | T: 69294860 PANELLED STORAGE BOX

CARE INSTRUCTIONS:

To be assembled on a clean, dry and smooth surface. Wipe clean with a soft damp cloth. Never use scourers, abrasives or chemical solvents. Check and tighten all parts regularly. Keep away from moisture and direct sunlight. Store in a dry place. For indoor and domestic use only.








WARNING:

Do not stand, sit or lean on this unit. Do not use this unit as a step ladder or as a chopping surface. Keep away from children and babies. Adult assembly required. Use only on a flat surface. Do not use this unit unless all bolts and screws are firmly secured. Failure to follow these warnings could result in serious injury.

MAXIMUM SAFE LOAD: 10KG FOR TOP, 5KG FOR BOTTOM.

①

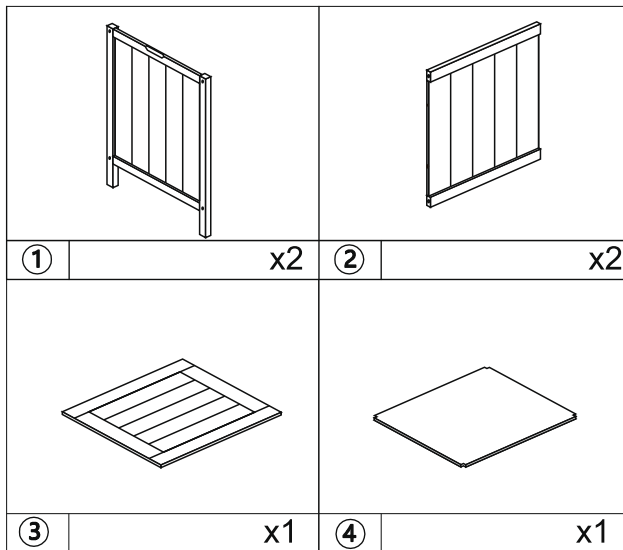
Hardware List

	A	M6x50mm	8PCS
	B		8PCS
	C		1PC
	D	M10x10mm	8PCS
	E		4PCS
	F	M3x25mm	8PCS
	G	M3x16mm	4PCS

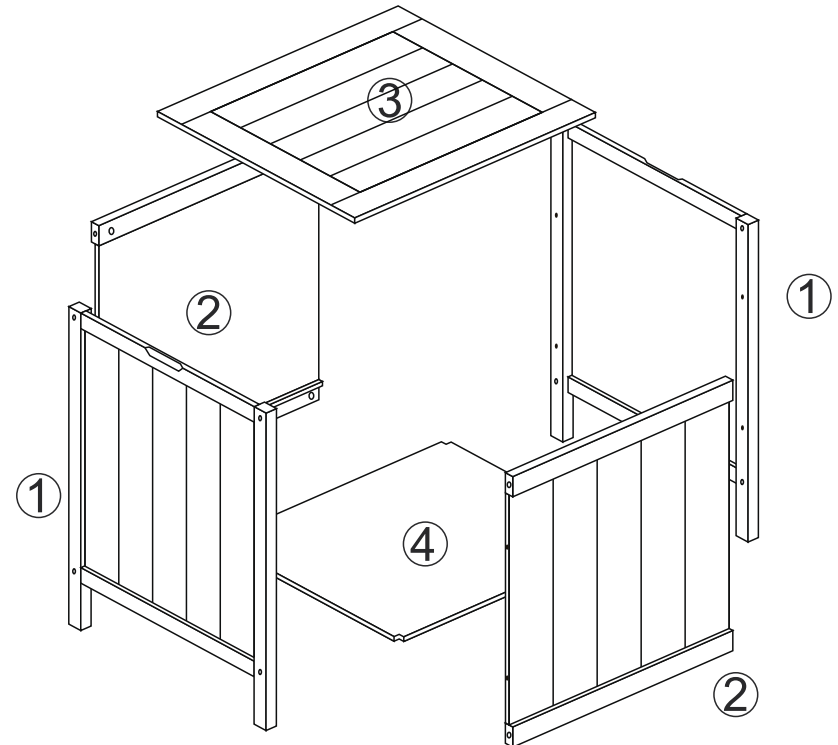


Tool required
Philips Head Screw Driver
(Not Provided)

②



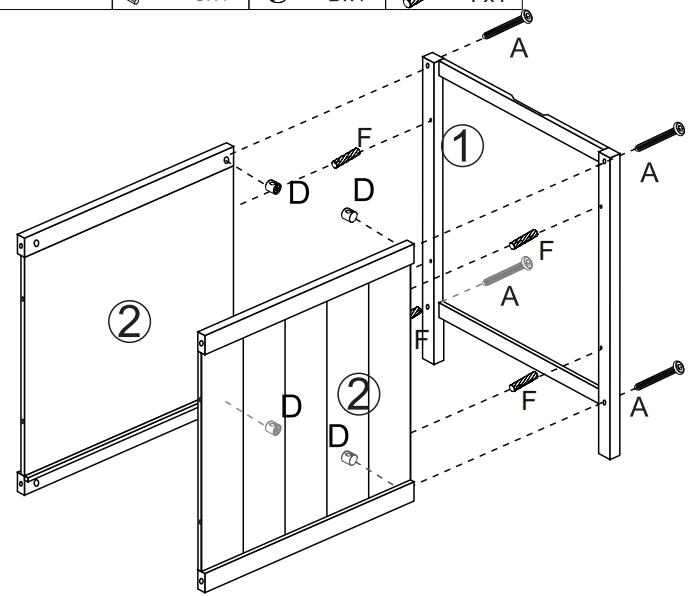
③



Do not tighten the screws fully during assembly.
Fully tighten screws after the final assembly steps

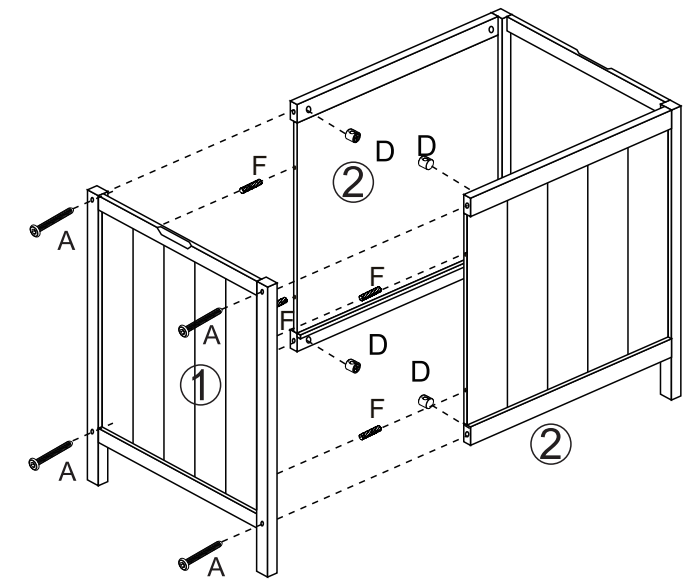
STEP 1:

Ax4 Cx1 Dx4 Fx4



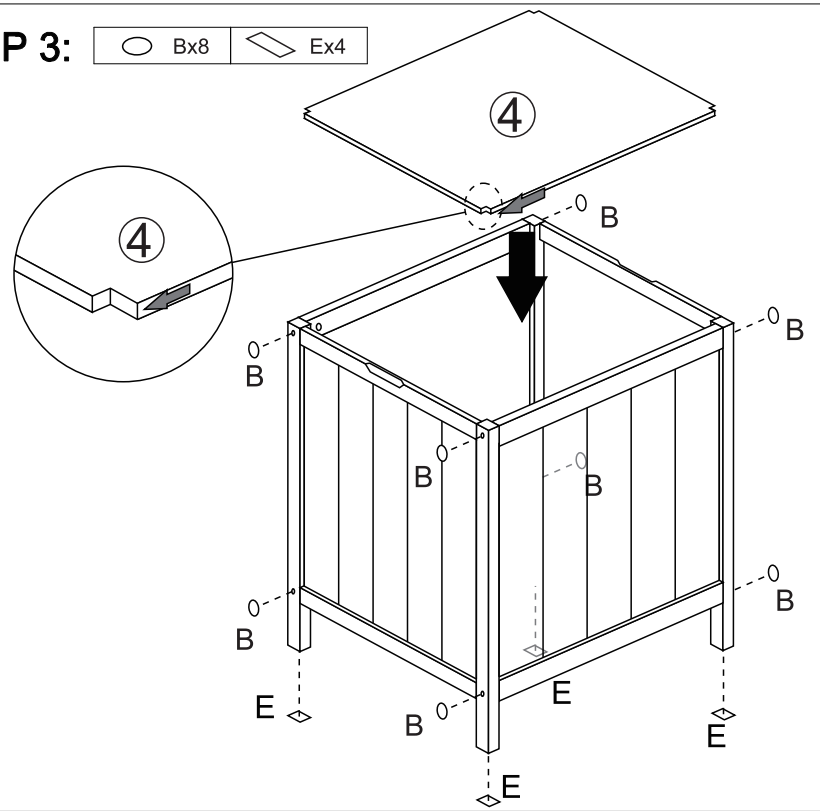
STEP 2:

Ax4 Cx1 Dx4 Fx4



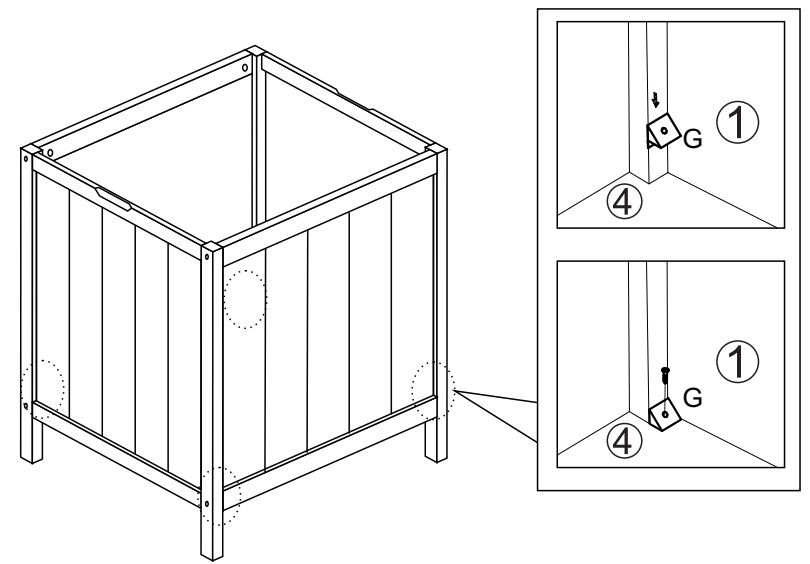
STEP 3:

Bx8 Ex4

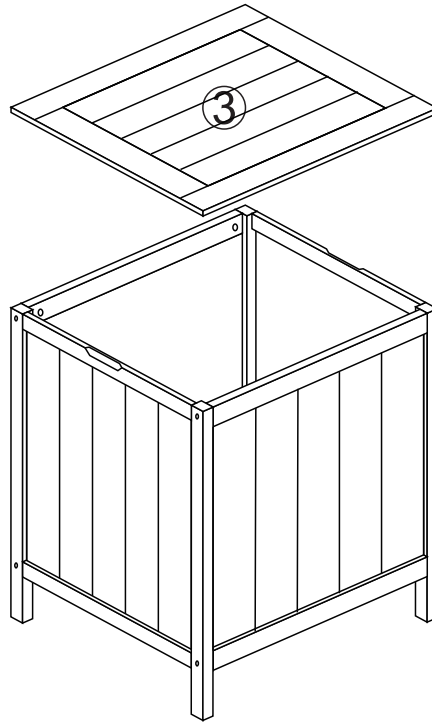


STEP 4:

Gx4



STEP 5:



STEP 6:

