

Assembly Instructions

K: 43387915 | T: 69294938 PANELLED SHORT STORAGE UNIT

CARE INSTRUCTIONS:











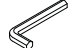
Wipe clean with a damp cloth. Keep away from water and direct sunlight. For indoor and domestic use. Check and tighten all parts regularly.

WARNING:


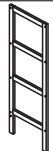

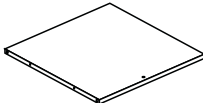

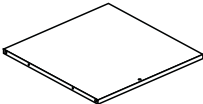
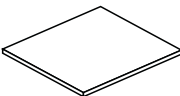
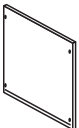
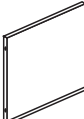
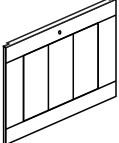
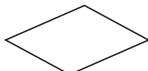
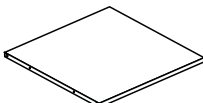
Do not stand, sit, or lean on the product. Do not drag the product. Use only on a flat surface. Do not use until all screws, bolts and knobs are firmly secured. This product contains small parts and sharp points, keep away from children and babies. Adult assembly required. Failure to follow these warnings could result in serious injury.

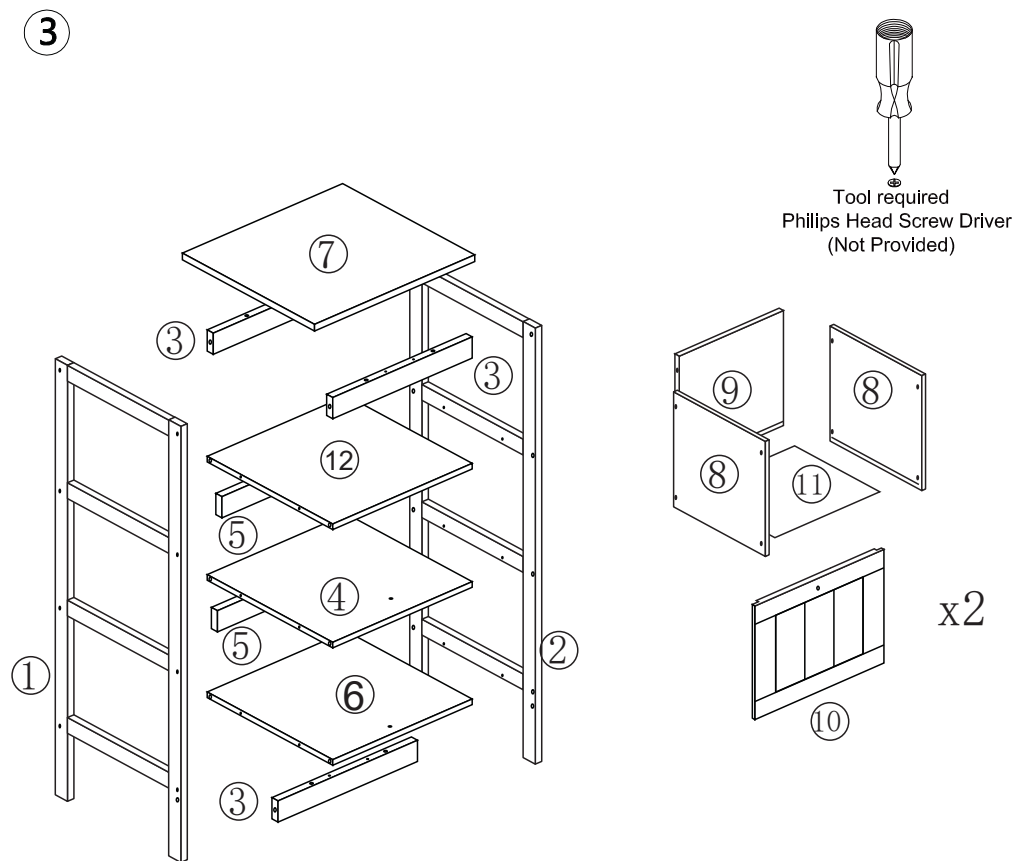
MAXIMUM SAFE LOAD: 5KG FOR TOP , 5KG FOR SHELF, 5KG FOR EACH DRAWER.

1 Hardware List

	A	M5x50mm	18PCS		G	M6x30mm	22PCS
	B	M4x35mm	10PCS		H		2SETS
	C	M3x20mm	16PCS		I		2PCS
	D	M3x12mm	2SETS		J		4PCS
	E		2SETS		K		18PCS
	F		1PC				

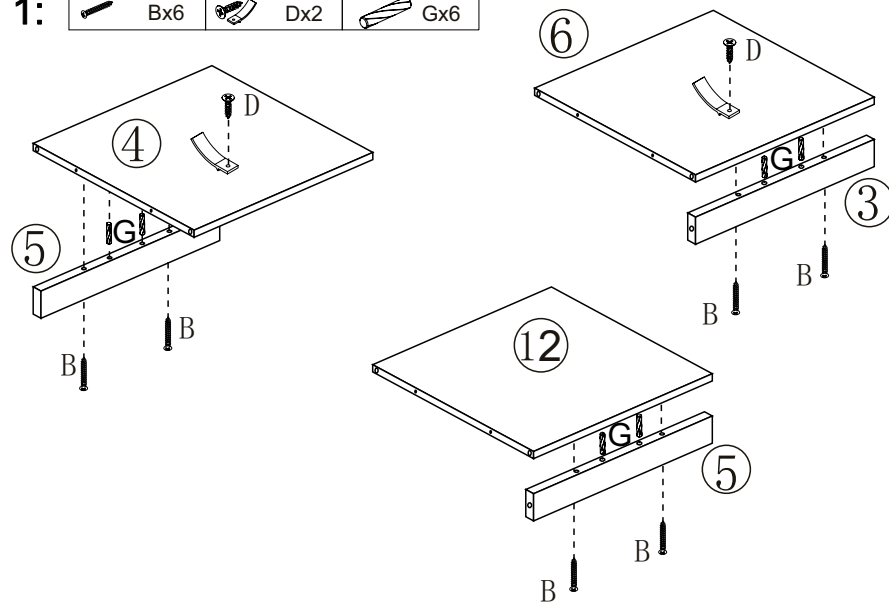
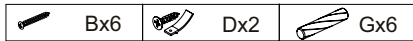
2

			
① x1	② x1	③ x3	④ x1
			
⑤ x2	⑥ x1	⑦ x1	⑧ x4
			
⑨ x2	⑩ x2	⑪ x2	⑫ x1

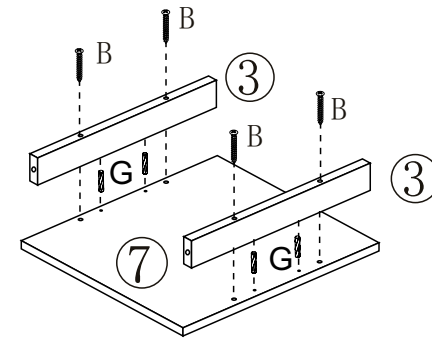
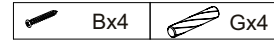


Do not tighten the screws fully during assembly.
Fully tighten screws after the final assembly steps

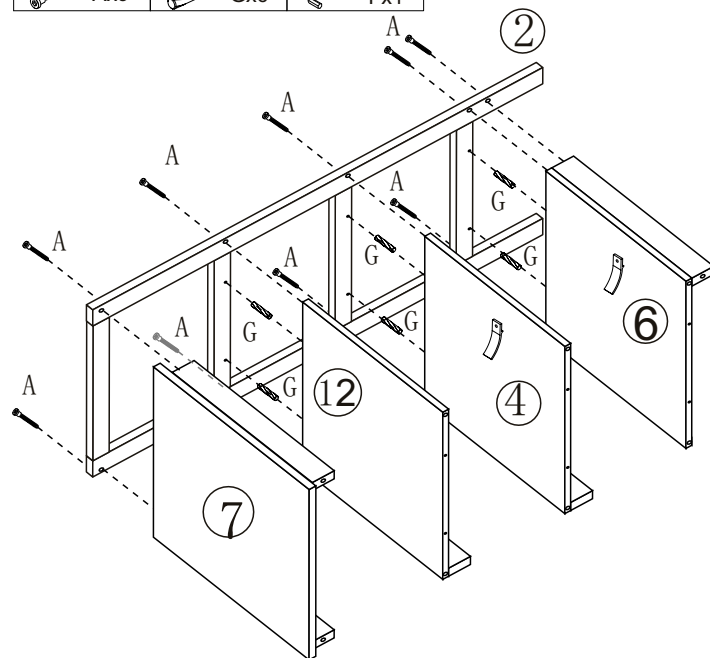
STEP 1:



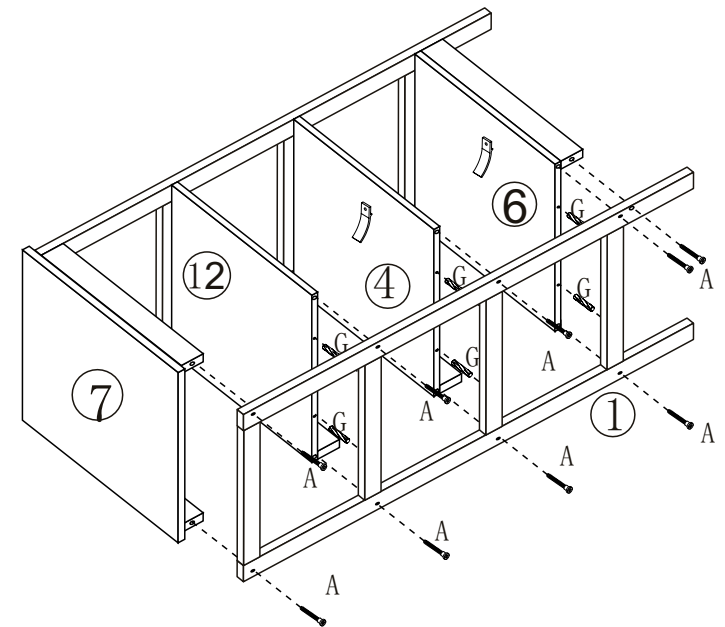
STEP 2:



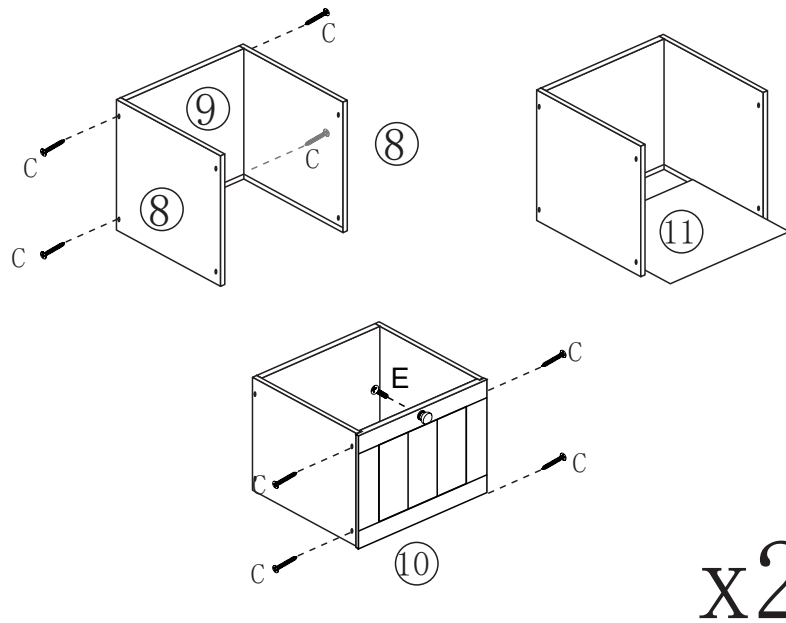
STEP 3:




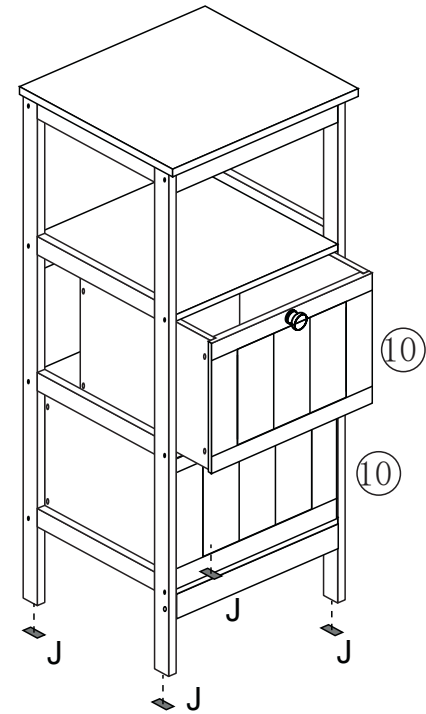
STEP 4:






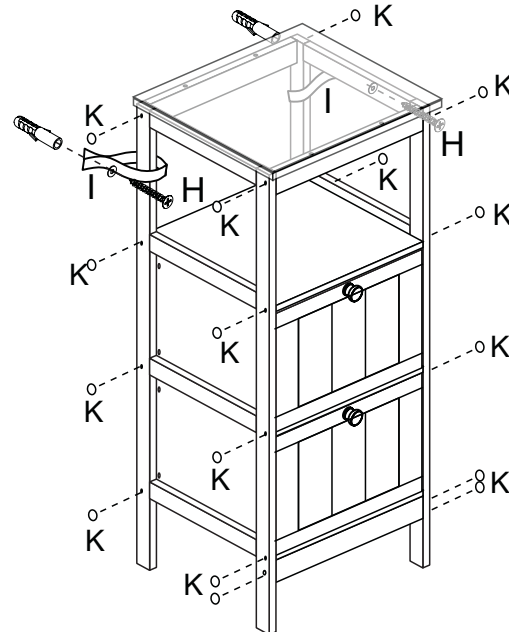
STEP 5:  Cx16  Ex2



STEP 6:  Jx4



STEP 7:  Hx2  Ix2  Kx18



Warning:

- It is strongly recommended that this product is permanently fixed to the wall.
- Please seek professional advice if you are in doubt of what fixing device to use.
- Regularly check that anchors are securely maintained.
- Stability of tall items may be affected by thick pile carpet or uneven floors.
- Do not place unanchored televisions on cabinet.

Caution: for your safety when attaching the anchor fixings, please note the following:

- Check any electrical wires or plumbing inside the wall before drilling any holes (if you are unsure please seek professional advice from a qualified tradesperson).



WARNING: PLEASE SECURE YOUR FURNITURE WITH THE SUPPLIED WALL FIXING. SCAN THE CODE FOR MORE INFORMATION.

