

## Assembly Instructions:

- 1) To charge, insert the supplied type C plug USB cable into the right of the mirror.
- 2) Only charge the mirror with the supplied USB cable.

## Cleaning & Maintenance:

- 1) Turn the appliance off before you start cleaning it.
- 2) Do not immerse the appliance in water. Clean the appliance surface with a dry cloth or with a cloth moistened with water.
- 3) Do not use any lubricant, detergent, polishing agents, alcohol, steel wool, abrasive cleansers, chemicals or corrosive liquids on this appliance.

## Battery and appliance disposal:

### 1. Eco-Friendly Tips

This appliance has a lithium battery. Batteries contain substances harmful to our environment, please do not dispose of the appliance containing batteries with the normal household waste, instead hand it over to an official recycling point.

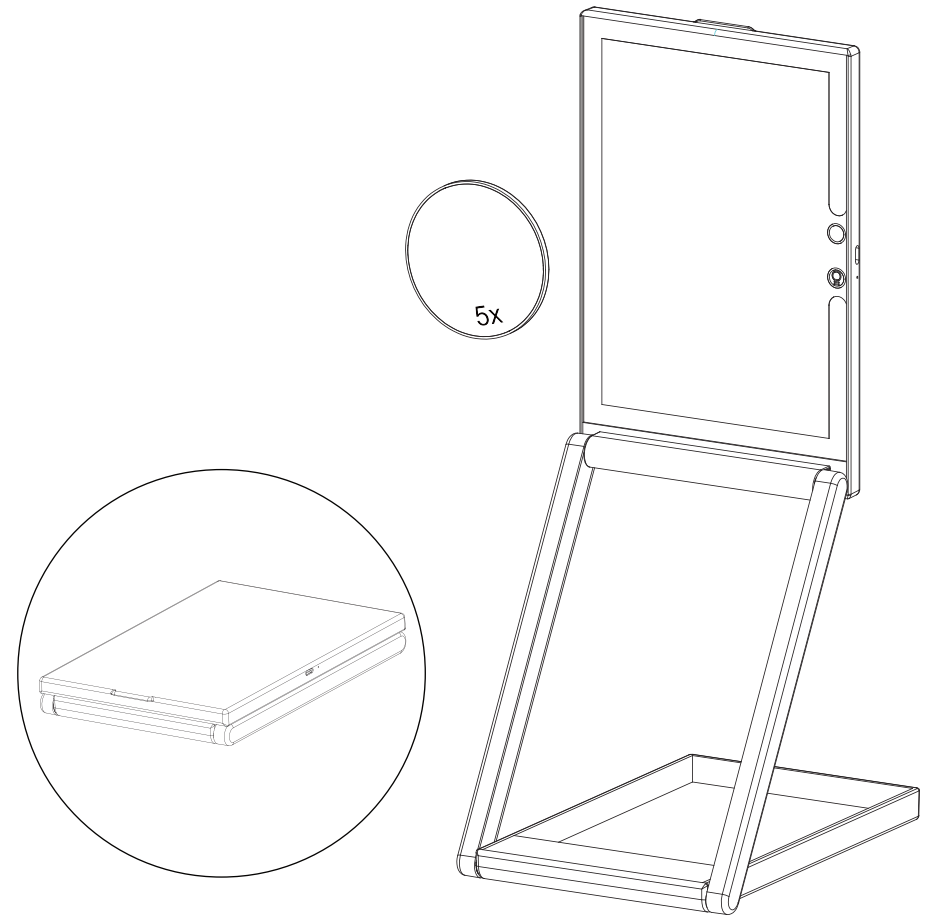
### 2. Trouble Shooting

Problem	Possible Cause	Solution
LED Light is not bright enough or it does not turn on	The battery is running low or is out of power	Charge the appliance as guided

# anko

PORTABLE LED MIRROR  
K: 43389742 | T: 69294945  
SLR-23320

## INSTRUCTION MANUAL



## Safety Instructions:

To ensure proper operation of this appliance, please read this instruction manual carefully before you use the appliance and save it for further reference.

### ⚠ WARNING

- Check the appliance before you use it, do not use the appliance if it has any crack, gap or any other damage.
- Make sure the mirror is not in a place or in a position where it can reflect sunlight. Reflected sunlight can cause fire.
- Do not attempt to repair, disassemble, or modify the appliance by yourself to avoid accidents.
- The light source of this mirror is not replaceable.
- For indoor use only

### ⚠ CAUTION

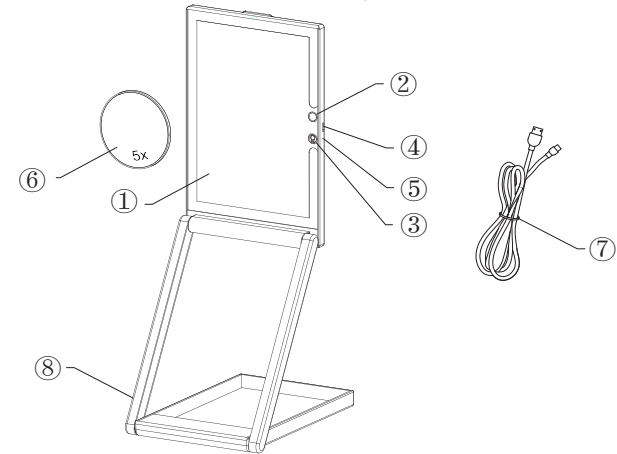
- Avoid touching the mirror with sharp objects in order to prevent scratches that might affect the mirror usage.
- This appliance has a lithium battery. Do not place or store the appliance for long periods of time in a hot or humid environment. If you do not intend to use the appliance for a long time, store the appliance after it is fully charged.
- This appliance contains battery and LED lights that are non-replaceable.
- Ensure charging adapter used is compatible with a 5VDC SELV 1A, 5W rating.

## Specifications:

- Charging Voltage / Current: 5V  $\overline{=}$  / 1000mA Max. 5W
- Type of Battery: Li-polymer 3.7V 2000mAh
- Ta: 25°C

## Product Description:

- |                                  |                             |
|----------------------------------|-----------------------------|
| ① Normal mirror                  | ⑤ Charging indicator light  |
| ② LED colour adjust touch switch | ⑥ 5 times magnifying mirror |
| ③ Dimmable ON/OFF touch switch   | ⑦ USB cable                 |
| ④ Charging port                  | ⑧ Foldable bracket          |



## Using the Appliance:

For better use experience, please read below instructions carefully:

1. This appliance needs to be charged if the light ray is not bright enough. Please use USB type-C cable ⑦ to charge.
2. Charging the appliance takes about 5 hours, and it can be used continuously for up to 3 hours for the most bright status.
3. The charging indicator ⑤ (at right of the mirror) will be red while the mirror is charging and will change to green, when fully charged.
4. Touch the dimmable ON/OFF touch switch ③ to turn on the light. Hold the touch switch to adjust the brightness of the light.
5. Touch the colour adjust touch switch ② sequentially to change the LED colour to be cool white, warm white and natural white.
6. The small 5x magnification mirror ⑥ can be stuck at the centre of the big mirror for using. Please store it in the makeup box when not in use.