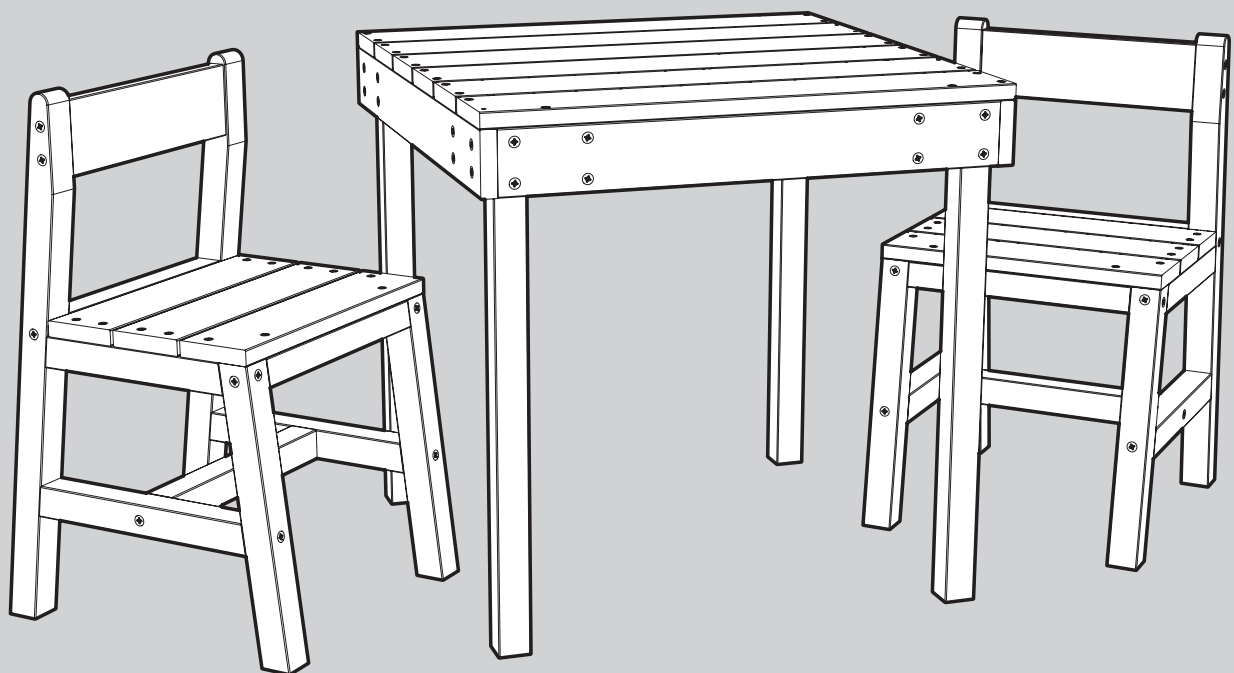




Wooden Table and Chair Set

616U

3y+



IMPORTANT INFORMATION

A suitable wood stain or preservative must be applied before assembly.

Instructions for assembly, maintenance and safe use.

IMPORTANT!

Read carefully and keep for future reference.

ASSEMBLY



x1 Person build



1hr Build time



WARNINGS!

- THIS PRODUCT CONTAINS SMALL PARTS AND SHARP POINTS. IT IS NOT SUITABLE FOR CHILDREN UNDER 36 MONTHS.
- THIS PRODUCT IS INTENDED FOR USE BY CHILDREN AGED 3+ YEARS.
- ONLY FOR DOMESTIC USE. FOR OUTDOOR AND INDOOR USE.
- THIS PRODUCT MUST BE ASSEMBLED BY AN ADULT BEFORE USE.
- CHILDREN MUST NOT USE THIS PRODUCT UNTIL PROPERLY INSTALLED.
- ADULT SUPERVISION REQUIRED.
- REMOVE ALL PACKAGING BEFORE GIVING TO YOUR CHILDREN.
- RETAIN PACKAGING FOR FUTURE REFERENCE.
- PLEASE RETAIN INSTRUCTIONS AS IT CONTAINS IMPORTANT SAFETY INFORMATION.
- MAXIMUM USER PER CHAIR: 1
- MAX WEIGHT 20KGS PER CHAIR
- DO NOT SIT ON, OR OVERLOAD THE WORKTOP.
- DO NOT PLACE THIS PRODUCT NEAR A WINDOW AS IT CAN BE USED AS A STEP BY THE CHILD AND CAUSE THE CHILD TO FALL OUT OF THE WINDOW

- BE AWARE OF THE RISK OF OPEN FIRES AND OTHER SOURCES OF STRONG HEAT IN THE VICINITY OF THE PRODUCT
- DO NOT PLACE THIS PRODUCT NEAR A WINDOW WHERE CORDS FROM BLINDS OR CURTAINS COULD STRANGLE A CHILD

TABLE

- DO NOT STAND OR SIT ON THIS TABLE
- DO NOT KNOCK OR DRAG THE PRODUCT.
- FAILURE TO FOLLOW THESE WARNINGS COULD RESULT IN SERIOUS INJURY.

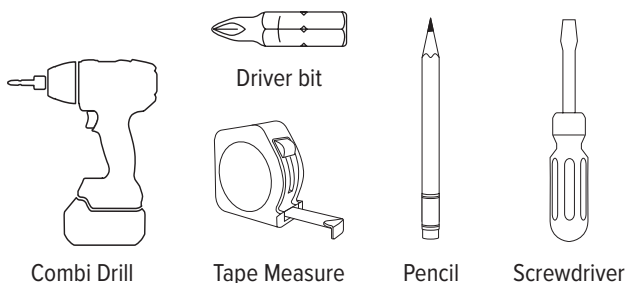
CHAIR

- DO NOT STAND ON THE CHAIR.
- DO NOT USE THE CHAIR AS A STEP LADDER.
- DO NOT USE THE CHAIR UNLESS ALL BOLTS, SCREWS AND KNOBS ARE FIRMLY SECURED.
- USE FOR ONE PERSON ONLY.
- FAILURE TO FOLLOW THESE WARNINGS COULD RESULT IN SERIOUS INJURY.

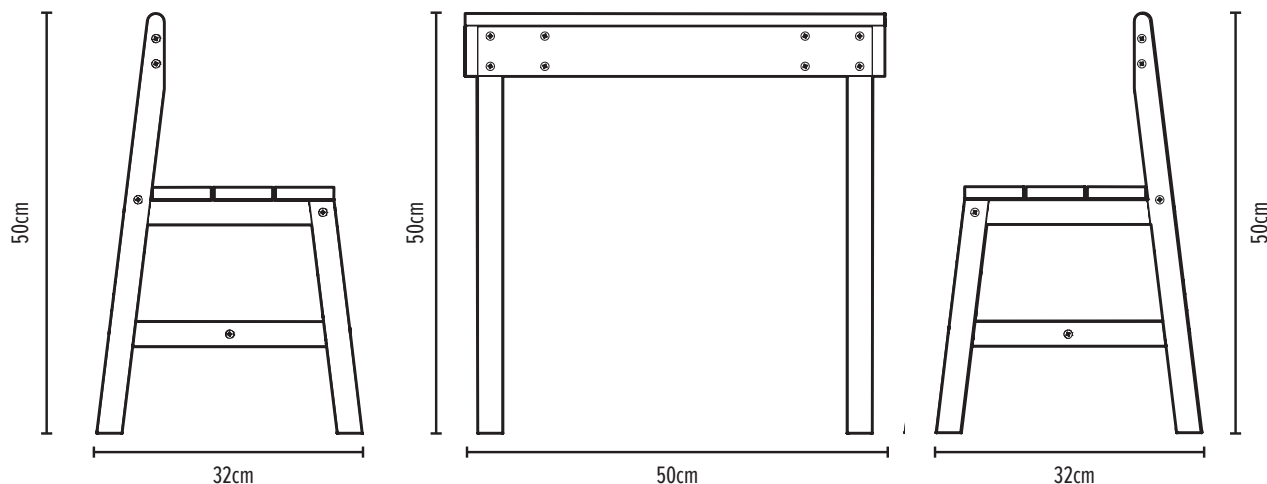
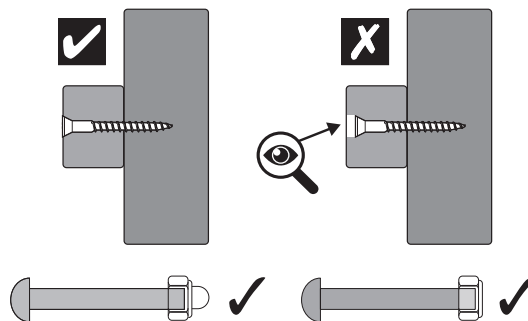
INSTRUCTIONS FOR ASSEMBLY, MAINTENANCE AND SAFE USE. IMPORTANT! READ CAREFULLY AND KEEP FOR FUTURE REFERENCE

1. This product must be assembled by an adult before use exactly in accordance with the instructions.
2. Children must not use this product until properly installed.
3. Check all parts are present before you start to assemble the product. Place small parts on a tray or similar to ensure they are not lost. The manufacturing process can very occasionally result in sharp edges/waste material so please take care when assembling this product.
4. If any parts are missing do not use the product until the replacement parts are fitted.
5. Ensure your product is sited on level ground. Failure to do this may put additional stress on connections and joints and in time could cause them to fail.
6. Ensure your product is located on a soft impact surface like grass. Never locate your product on hard surfaces like concrete.
7. Avoid locating this product in full sun.
8. Remove all packaging before giving to your children.
9. Equipment should be checked by an adult at the beginning of each season and at regular intervals during the usage season to ensure it is safe. Pay special attention to all connections and fastenings.
10. Parts may need to be replaced if they show signs of wear and tear. Replace any defective parts in accordance with these instructions.
11. Due to the natural characteristics of timber, it is vital to check your product regularly for splintering, lifting of surface layers of wood or exposure of rough wood. Affected areas must be rubbed down using coarse sandpaper to restore a smooth, safe surface.
12. Any changes to this product eg changing or adding an accessory, must be done in accordance with our instructions. Failure to do this will render your guarantee null and void and may make your product unsafe.
13. Ensure children's clothing is appropriate for the play activity.
14. Never place the product near a fire.
15. In high winds, ensure outdoor products are moved to a sheltered position and/or securely staked down.
16. The age recommendation for this product is clearly stated on the packaging and in these instructions. Please adhere to it at all times. Adult supervision is required at all times to ensure children play safely.
17. When you dispose of this equipment please do so responsibly.

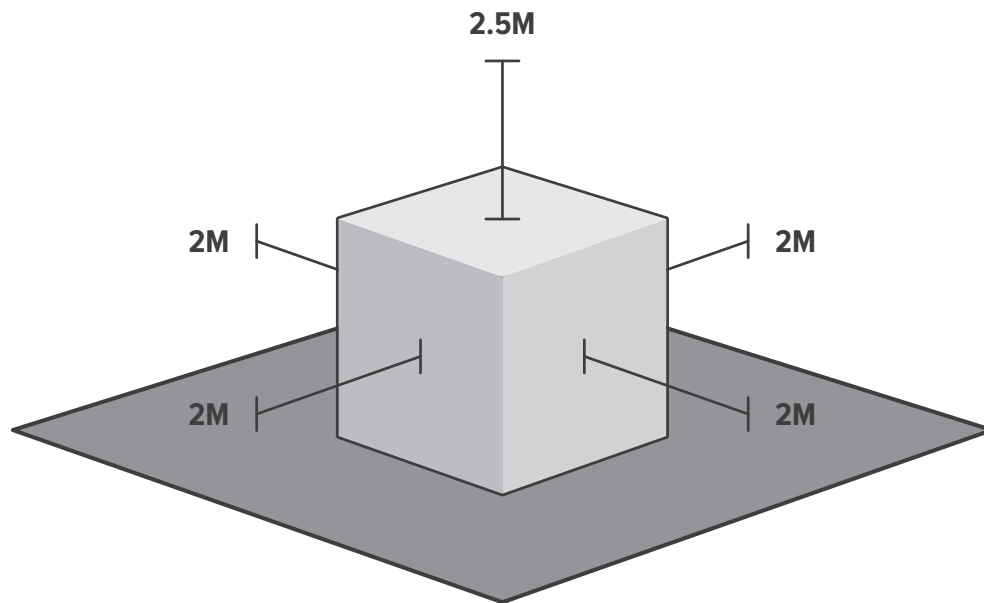
EN 17191:2021



NOT INCLUDED



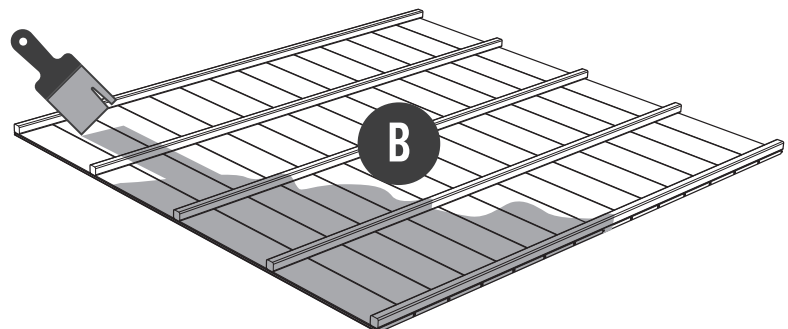
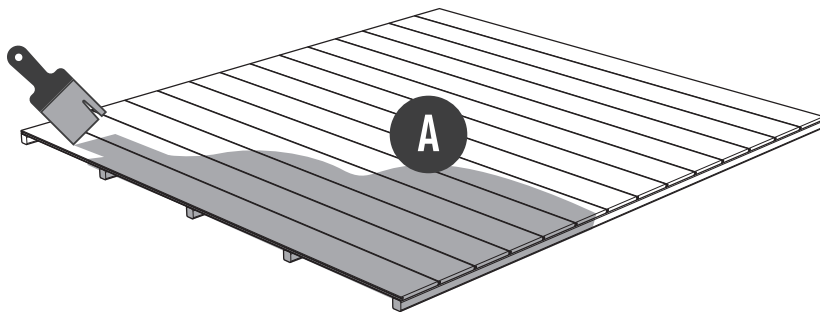
Safe Play Area



The safe play area refers to the zone extending 200cm around the toys on all sides and 250cm above the toy. The safe play area must be free from all obstacles.

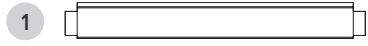
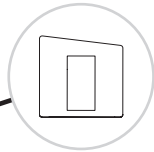
Wood Treatment

Wood treatment not supplied



Important Warning! - It is essential that this product has an application of a suitable child/environmentally friendly wood treatment before being assembled. Treat all panels - on all sides.

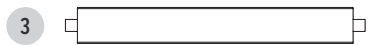
Contents



MW3118 x4 250mm



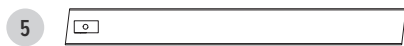
MW3119 x2 250mm



MW3120 x2 250mm



MW3121 x2 284mm



MW3122 x2 284mm



MW3123 x2 504mm



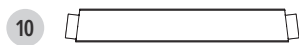
MW3124 x2 504mm



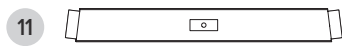
MW3125 x2 290mm



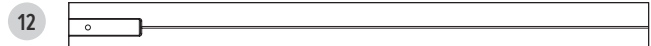
MW3126 x4 290mm



MW3127 x4 215mm



MW3128 x4 250mm



MW3129 x4 485mm



MW3130 x2 500mm



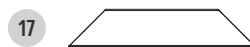
MW3131 x2 464mm



MW3132 x2 500mm



MW3133 x4 500mm

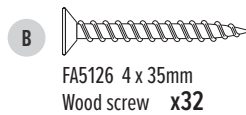


MW3134 x4 155mm

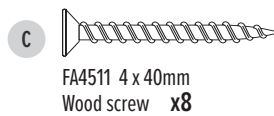
SP3616



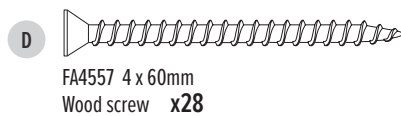
FA4531 3 x 30mm
Wood screw x52



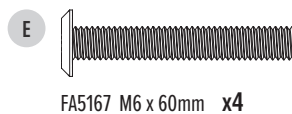
FA5126 4 x 35mm
Wood screw x32



FA4511 4 x 40mm
Wood screw x8



FA4557 4 x 60mm
Wood screw x28




FA5167 M6 x 60mm x4


1

6  MW3123 x2 504mm

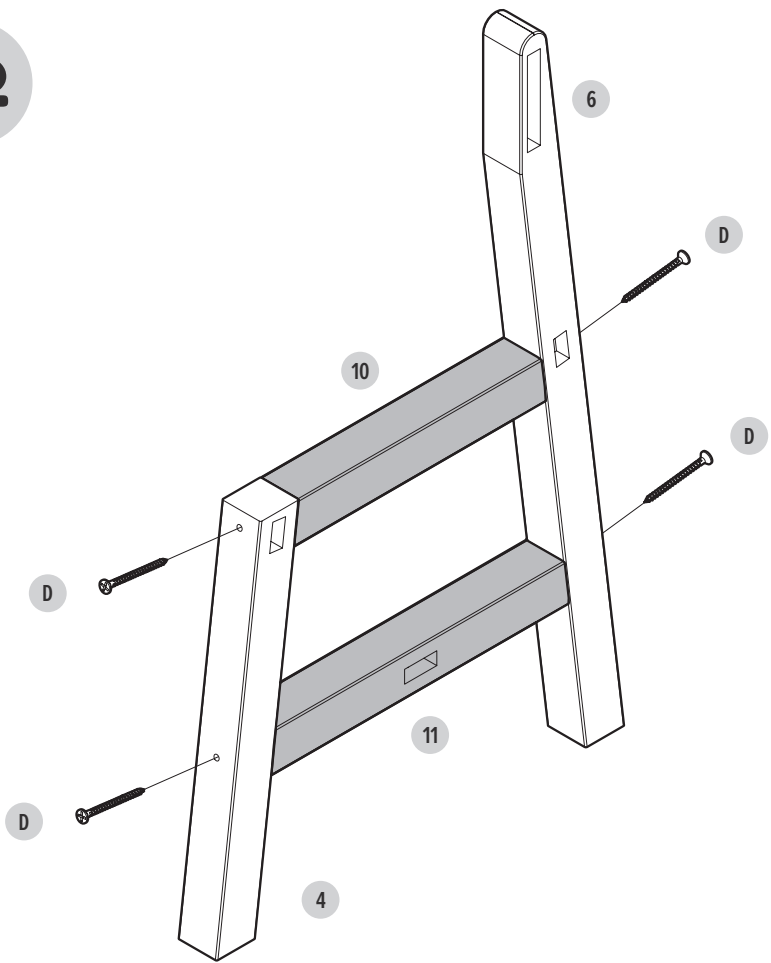
4  MW3121 x2 284mm

10  MW3127 x2 215mm

11  MW3128 x2 250mm

D  FA4557 4 x 60mm
Wood screw x8


x2




2

7  MW3124 x2 504mm

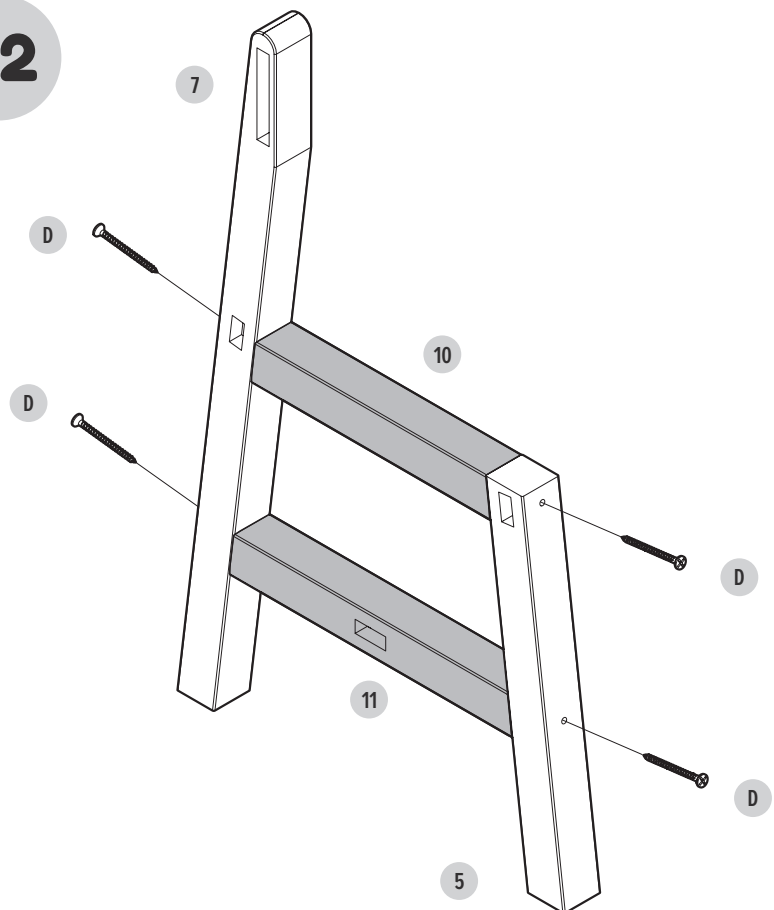
5  MW3122 x2 284mm

10  MW3127 x2 215mm

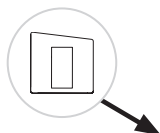
11  MW3128 x2 250mm

D  FA4557 4 x 60mm
Wood screw x8

x2



3



MW3118 x4 250mm



MW3119 x2 250mm



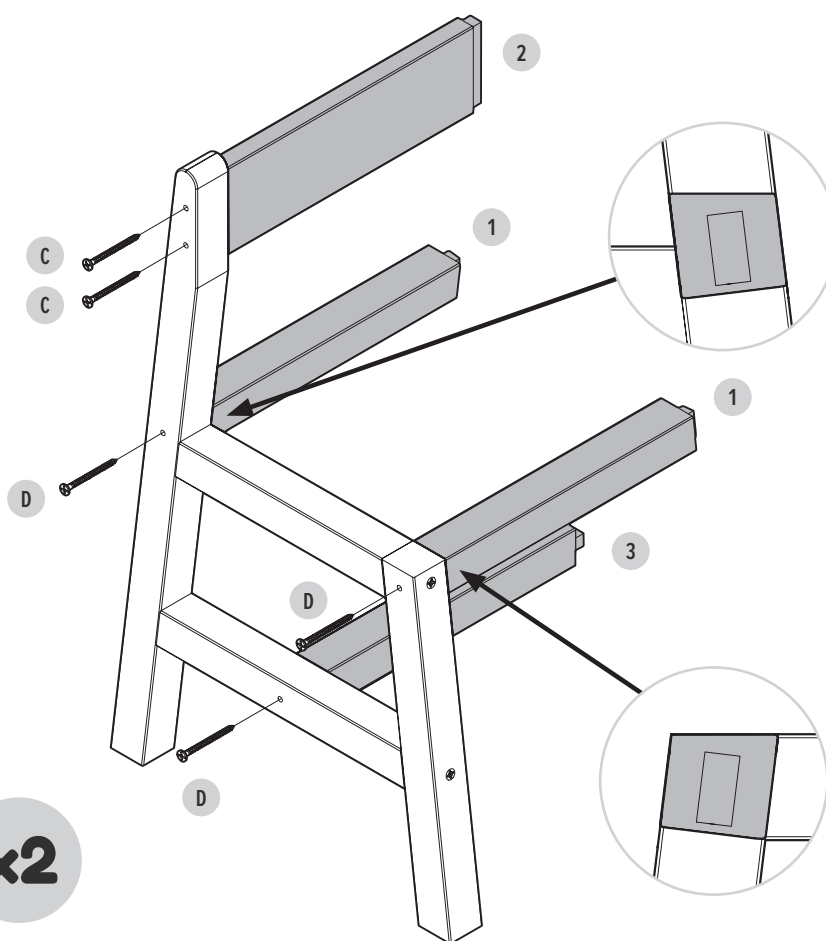
MW3120 x2 250mm



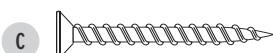
FA4511 4 x 40mm
Wood screw x4



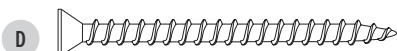
FA4557 4 x 60mm
Wood screw x6



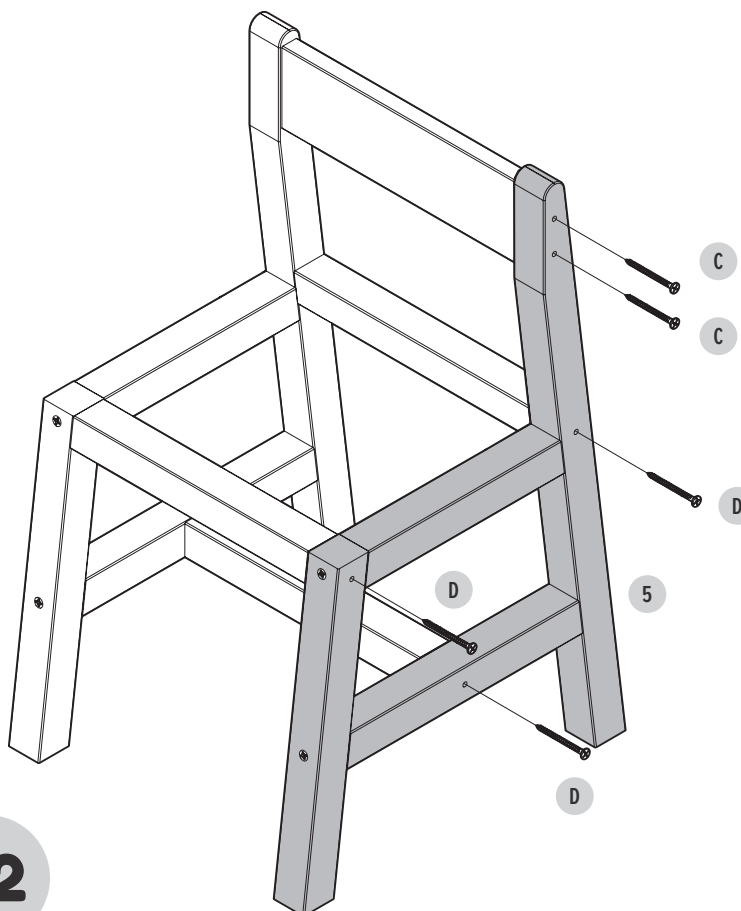
4



FA4511 4 x 40mm
Wood screw x4



FA4557 4 x 60mm
Wood screw x6



5

8



MW3125 x2 290mm

9

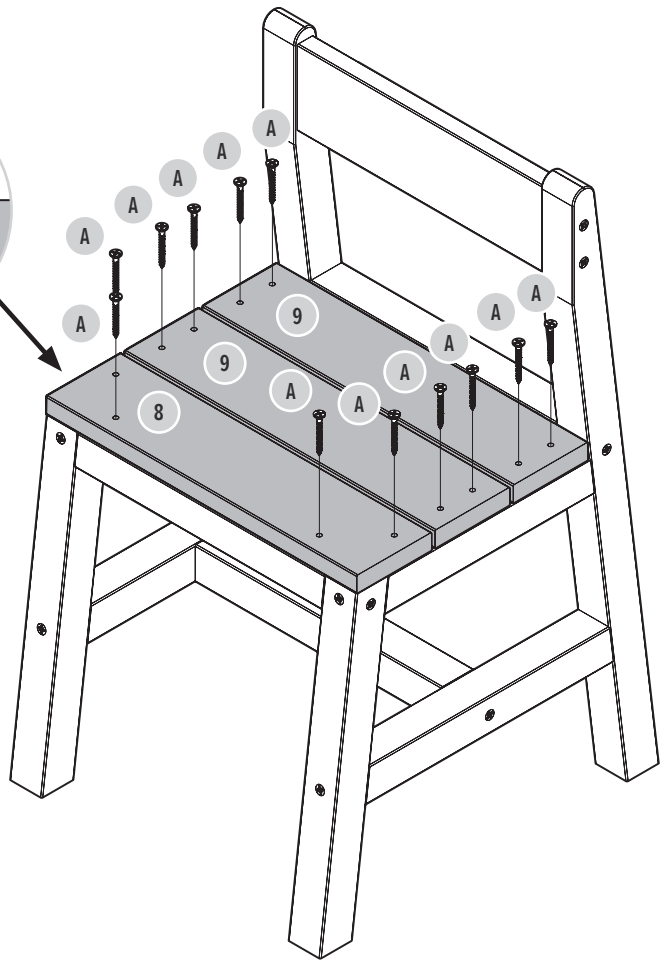
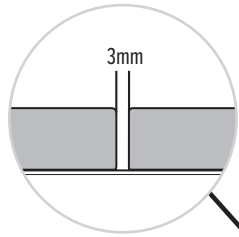


MW3126 x4 290mm

A

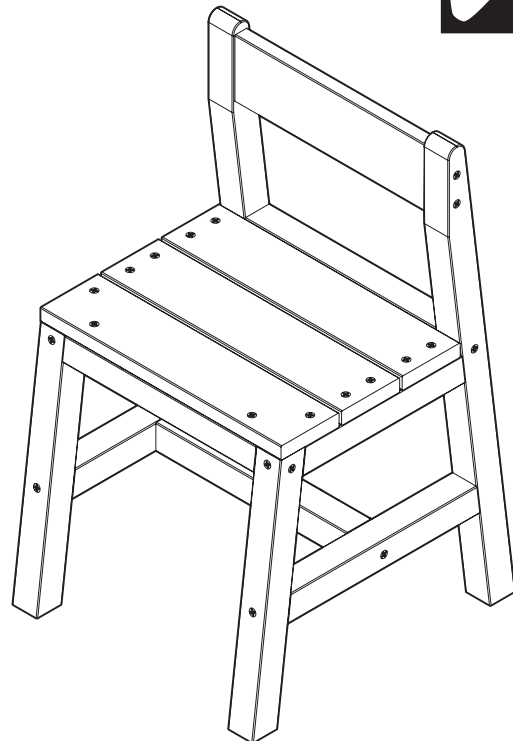
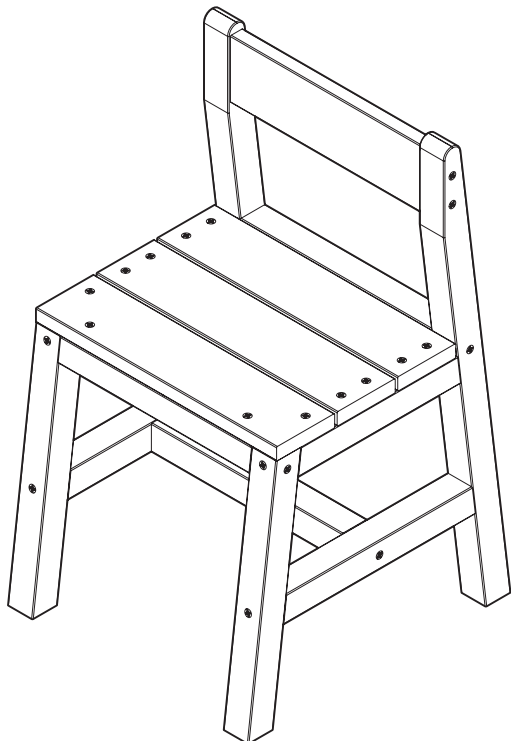


FA4531 3 x 30mm
Wood screw x24

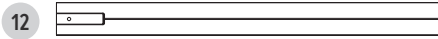


x2

6



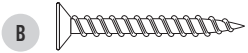
7



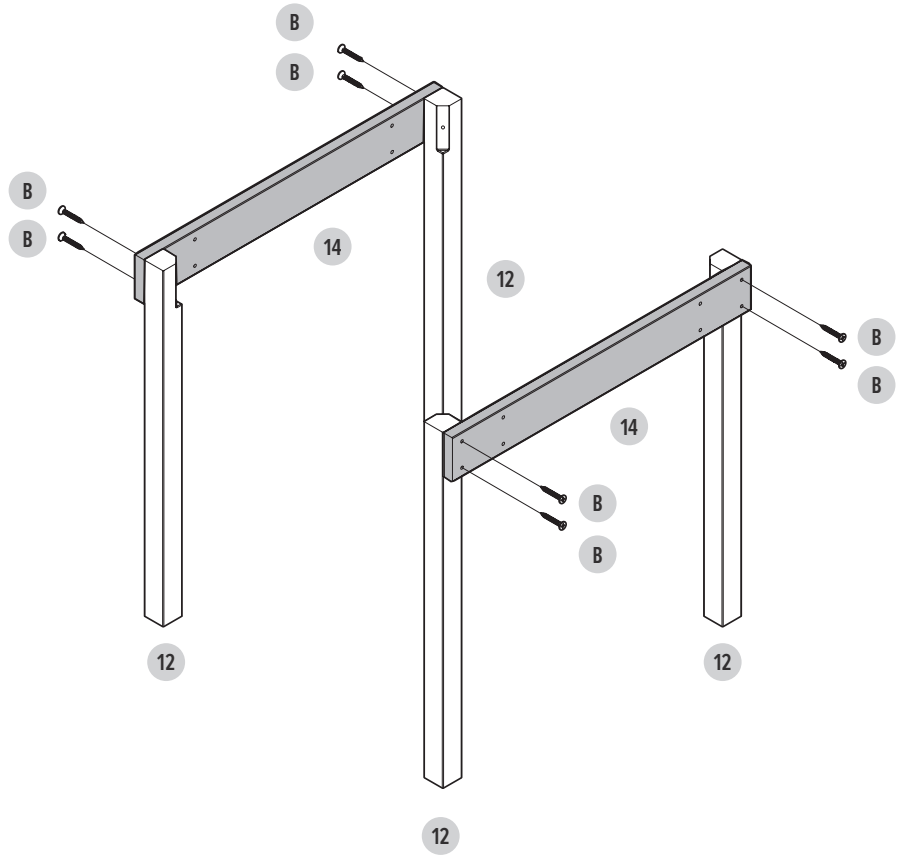
MW3129 x4 485mm



MW3131 x2 464mm



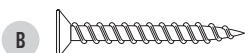
FA5126 4 x 35mm
Wood screw x8



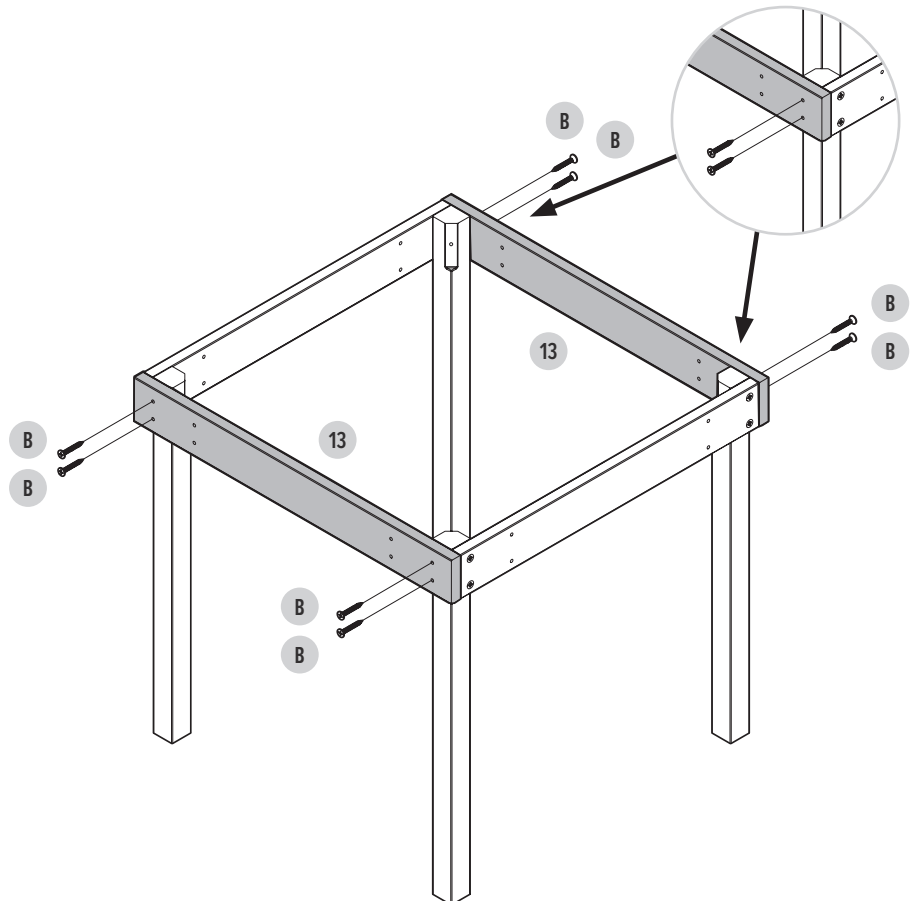
8



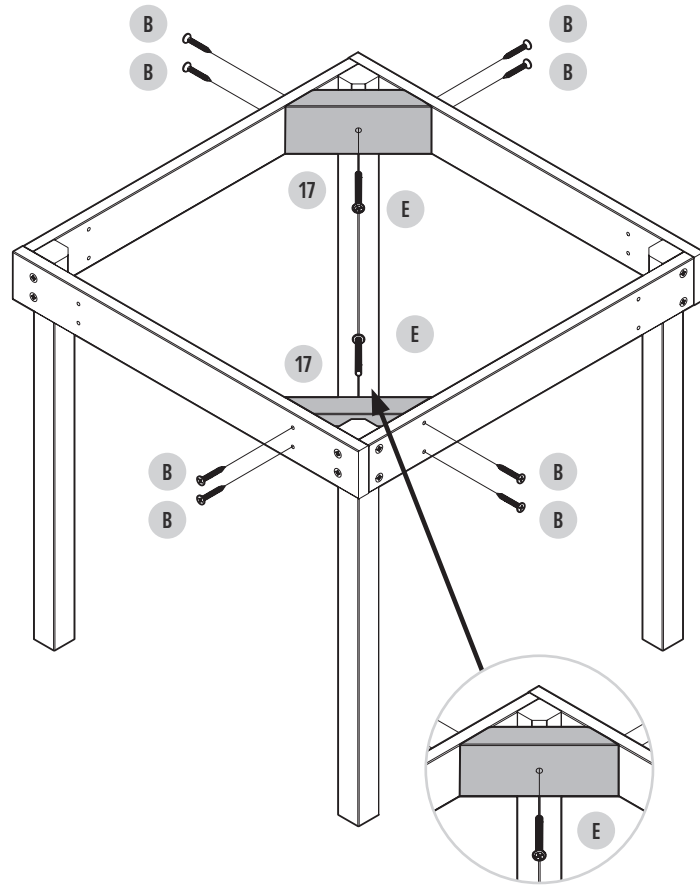
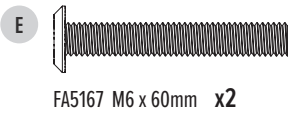
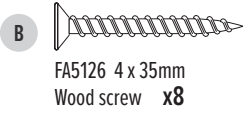
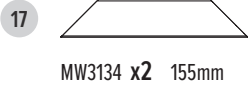
MW3130 x2 500mm



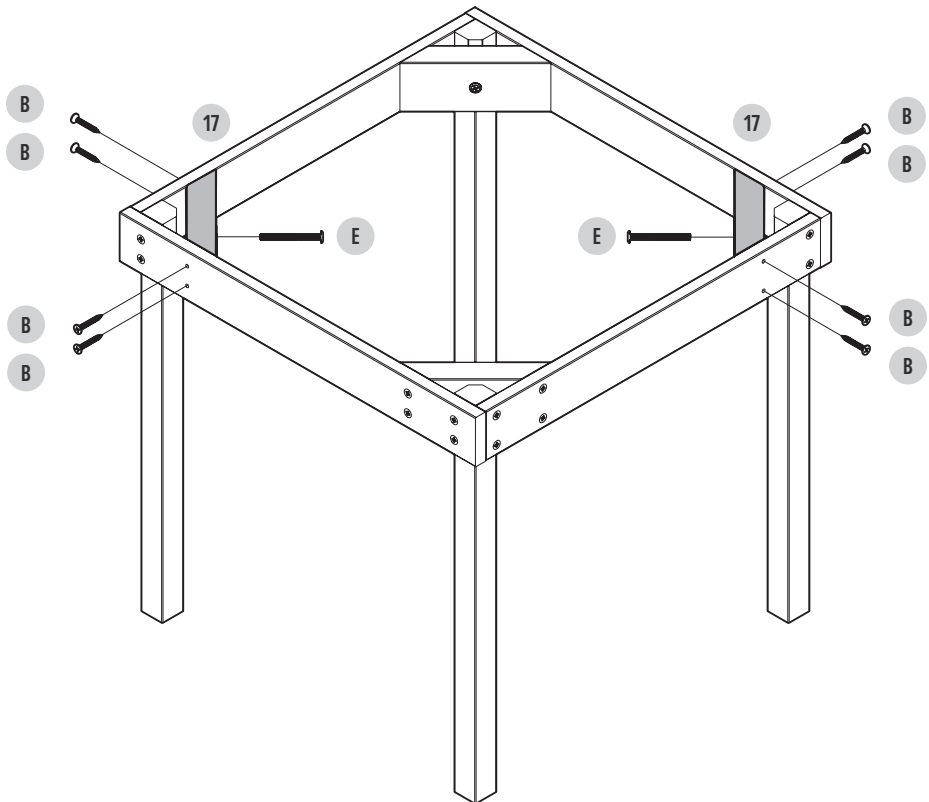
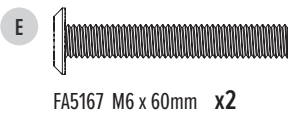
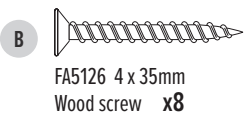
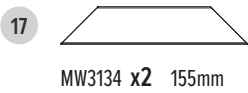
FA5126 4 x 35mm
Wood screw x8



9



10



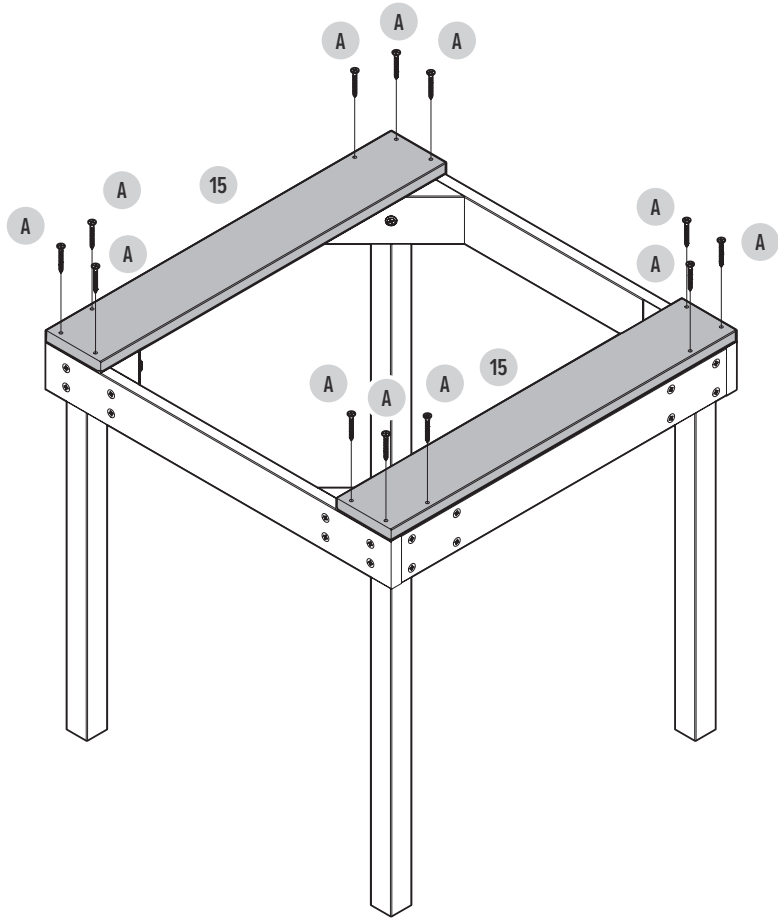
11



MW3132 x2 500mm



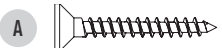
FA4531 3 x 30mm
Wood screw x12



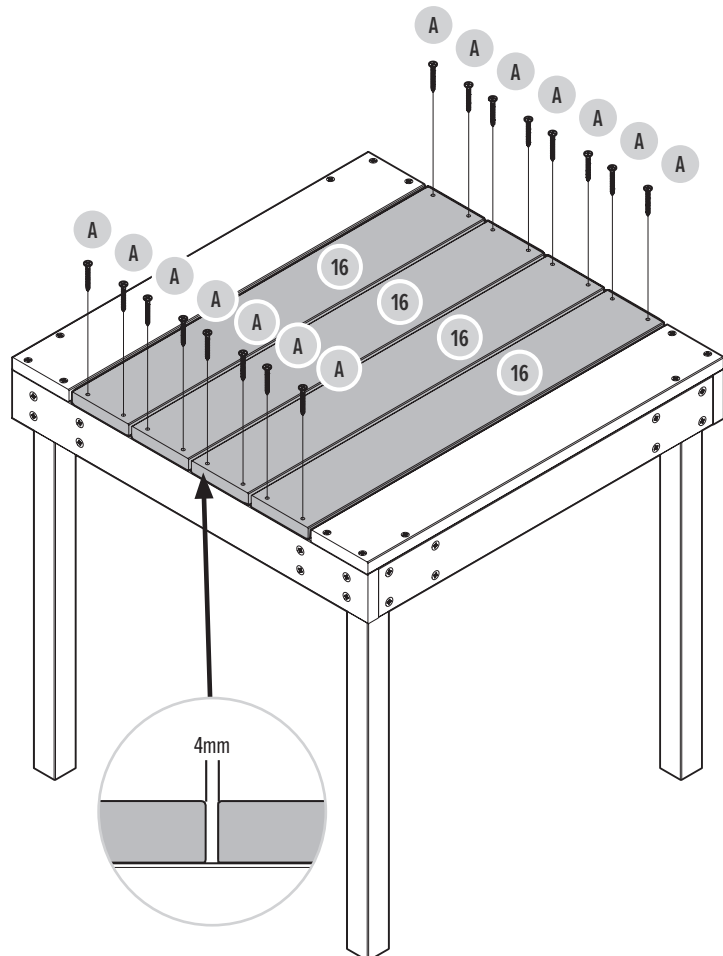
12



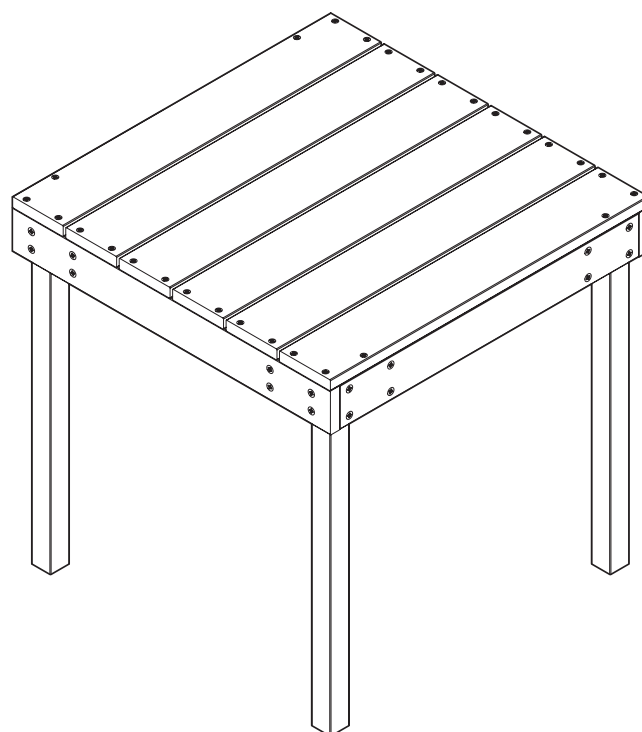
MW3133 x4 500mm



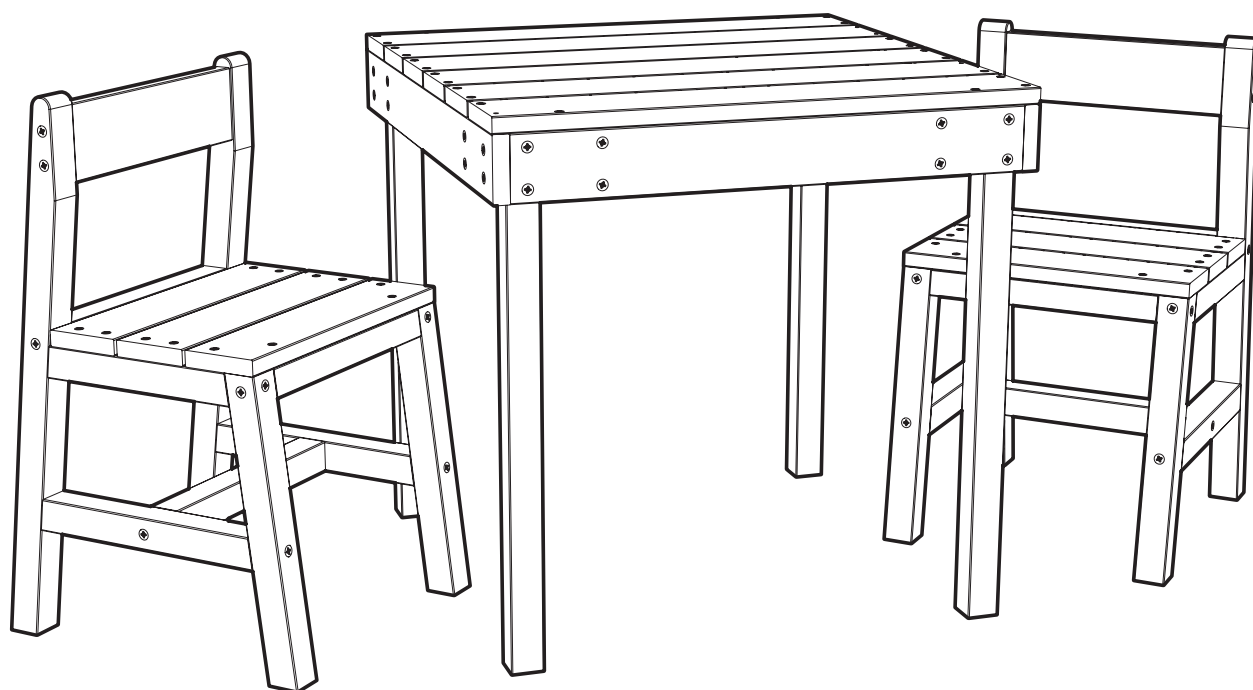
FA4531 3 x 30mm
Wood screw x16



13



14





Thank you!

Thank you for purchasing this product.

Product Batch No is



Mookie. Flitwick, Beds.
MK45 5BX U.K.

Please email: help@mookie.co.uk or contact our helpline on
+(44) (0) 1525 722769 9am - 5pm Mon-Fri

Mookie France
Espace Mistral B, 375 avenue du Mistral,
13600 La Coitat, France

MADE IN CHINA

CUSTOMER SERVICE:

- **KMART AU:** 1800 124 125
- **KMART NZ:** 0800 945 995
- **TARGET AU:** 1300 753 567

K: 43-390-472 | T: 69-553-707

Made in China

616U_IN0616-A 0224