

Assembly Instructions

K: 43392742 | T: 69358258 4 CUBE UNIT

CARE INSTRUCTIONS:


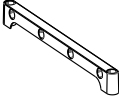
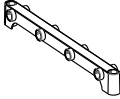
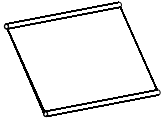
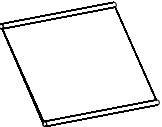
WIPE CLEAN WITH A SOFT DAMP CLOTH. DO NOT USE ABRASIVE MATERIAL AND SOLVENTS. KEEP AWAY FROM WATER AND DIRECT SUNLIGHT. CHECK AND TIGHTEN ALL PARTS REGULARLY. ENSURE PARTS ARE PUSHED TOGETHER SECURELY. FOR INDOOR USE ONLY.

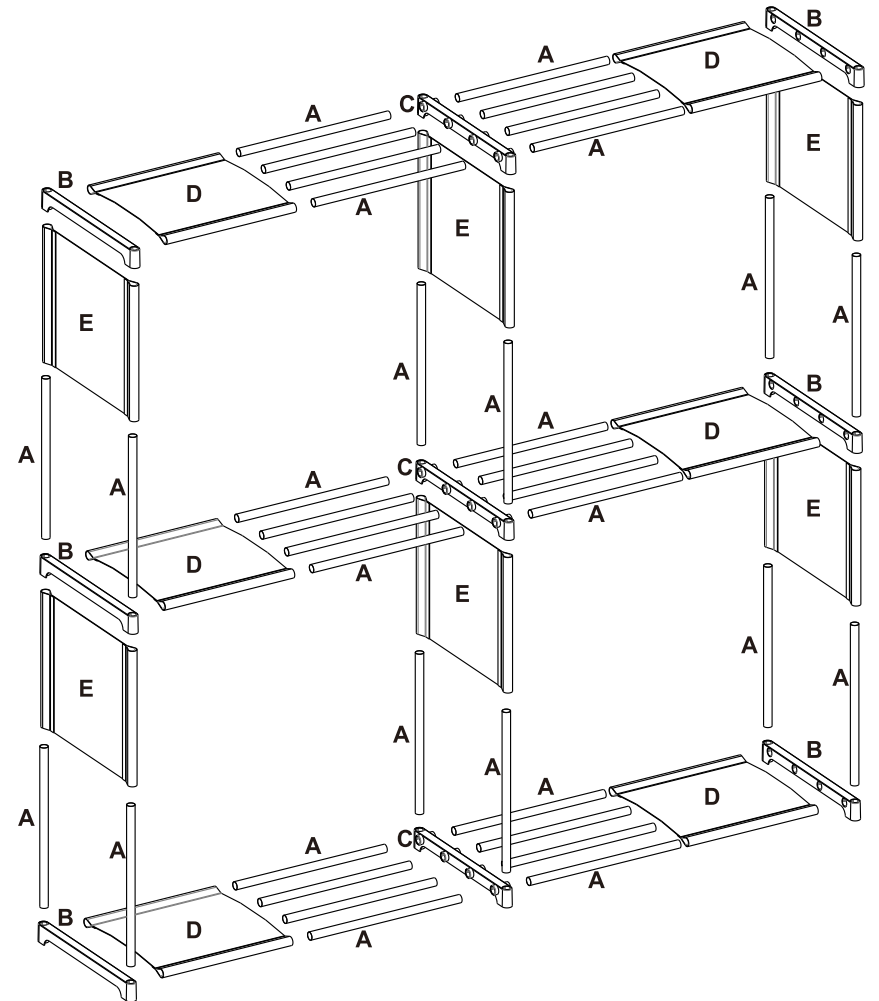
WARNING:

DO NOT STAND ON THE UNIT. USE ONLY ON A FLAT SURFACE. DO NOT USE UNTIL ALL SCREWS, BOLTS AND KNOBS ARE FIRMLY SECURED. THIS PRODUCT CONTAINS SMALL PARTS AND SHARP POINTS, KEEP AWAY FROM CHILDREN AND BABIES. ADULT ASSEMBLY REQUIRED. FAILURE TO FOLLOW THESE WARNINGS COULD RESULT IN SERIOUS INJURY.

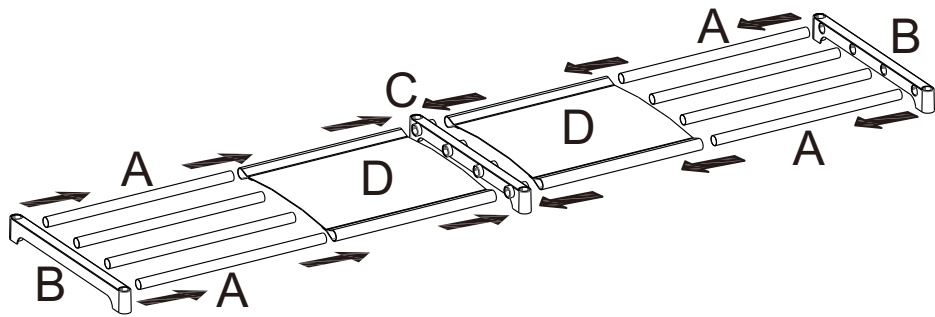
MAXIMUM SAFE LOAD: 3KG FOR EACH SHELF

Components list

								
A	345mm	36PCS	B		6PCS	C		3PCS
								
D	300x260mm	6PCS	E	300x297mm	6PCS			

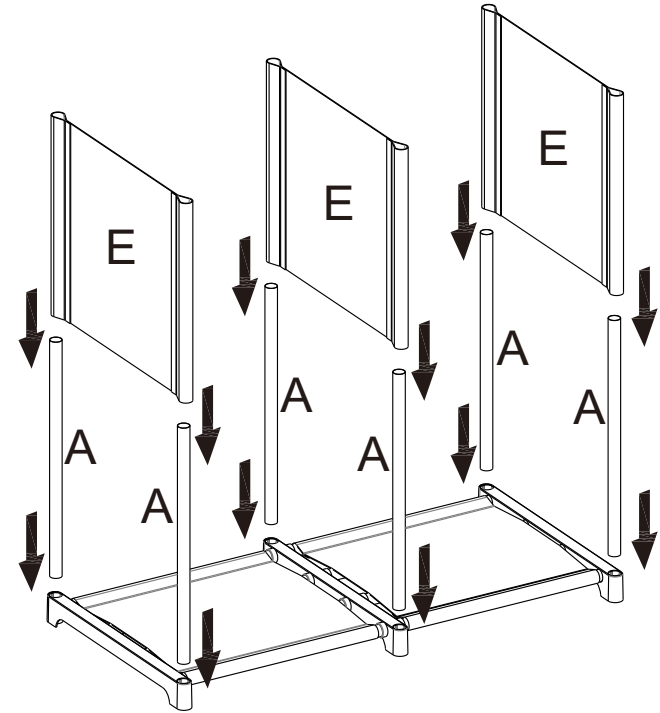


STEP 1



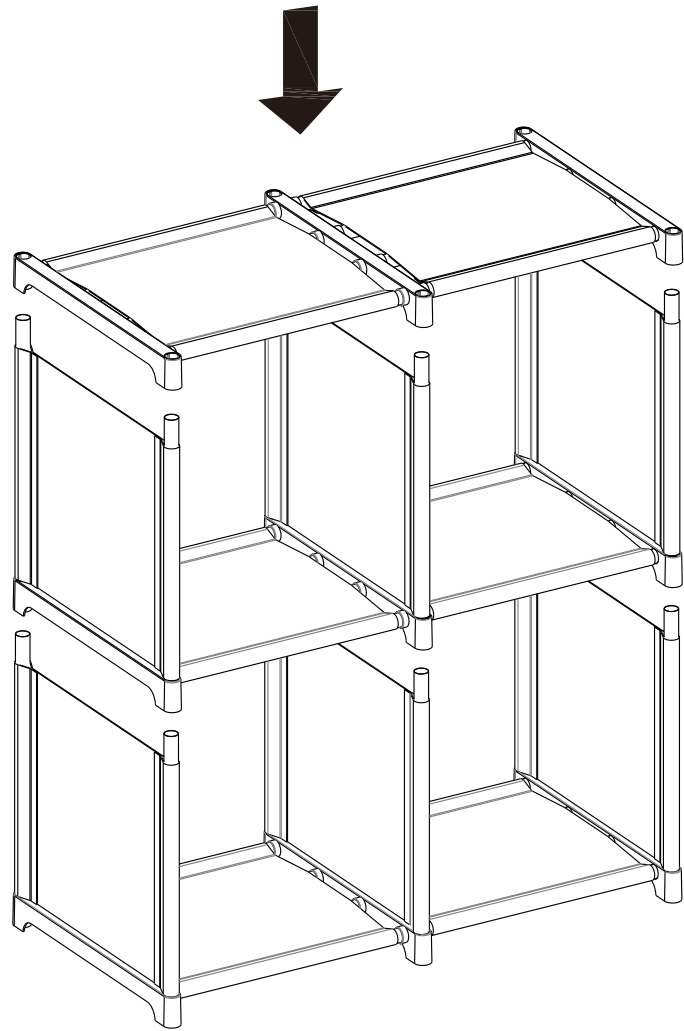
x3

STEP 2



x2

STEP 3



STEP 4

