

Assembly Instructions

K: 43392926 | T: 69357930 10 DRAWER UNIT

CARE INSTRUCTION:









DO NOT TIGHTEN THE SCREWS UNTIL THE PRODUCT IS FULLY ASSEMBLED.
FOR INDOOR USE ONLY.




WARNING:

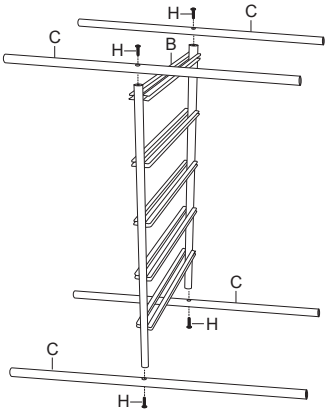
THIS PACKAGE CONTAINS SMALL PARTS, KEEP UNASSEMBLED PARTS AWAY FROM CHILDREN AND BABIES.



MAXIMUM SAFE LOAD: TOP PANEL: 2KG / EACH DRAWER: 1KG

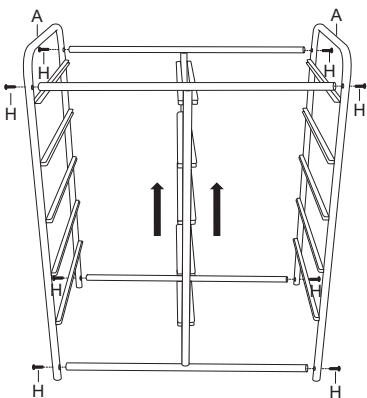
Hardware List

| | | | | | |
|---|---|------|---|---|-------|
|  | A | 2PCS |  | E | 10PCS |
|  | B | 1PC |  | F | 2PCS |
|  | C | 4PCS |  | G | 2PCS |
|  | D | 1PC |  | H | 12PCS |



STEP 1  X1  X4  X4

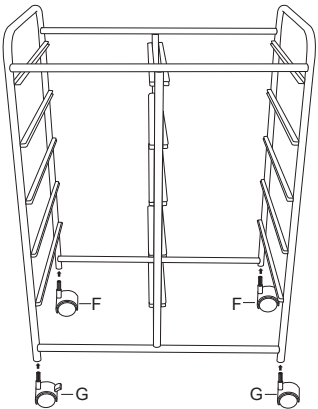



STEP 2  X2  X8

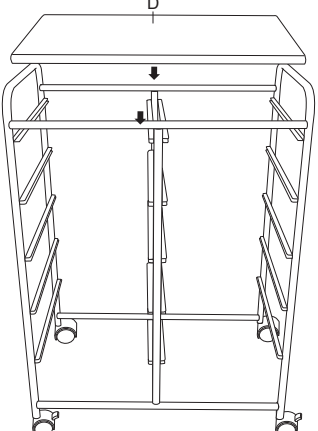



Attention: please keep Part B upward to balance the slide rail with Part A.

STEP 3  X2  X2



STEP 3  X1



STEP 5  X10

