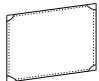
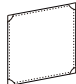
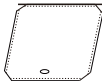




Assembly Instructions

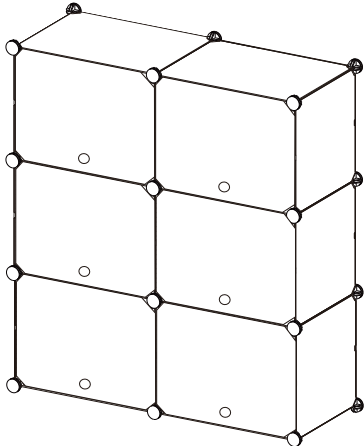
K:43393305 | T:69358036 STACKABLE STORAGE CABINET

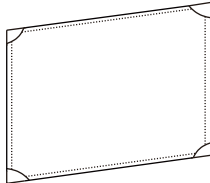
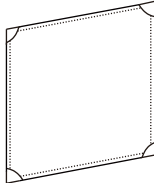
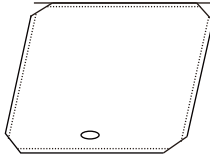


MAXIMUM SAFE LOAD: 3kg

Hardware list

	A	40X30cm	20 PCS
	B	30X30cm	9 PCS
	C	40X30cm	6 PCS
	D	Hook	18 PCS
	E	Connector	24 PCS

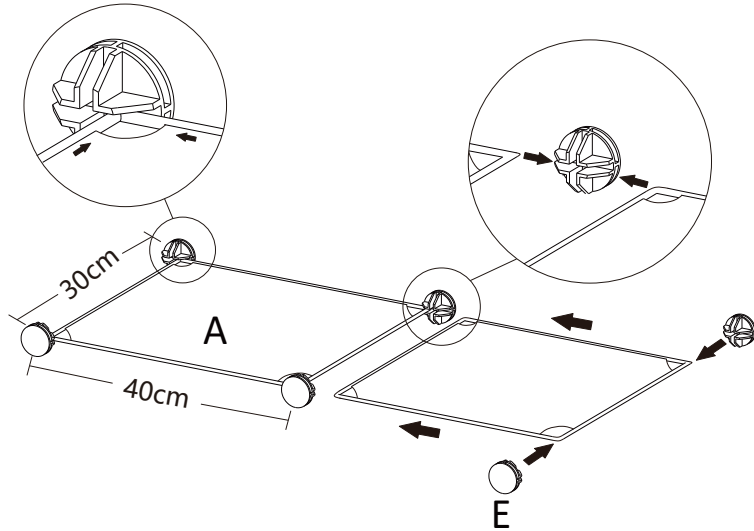
2 x 6 SHOE CABINET



	
① 20PC	② 9PC
	
③ 6 PC	④ 18PC
	
⑤ 24PC	

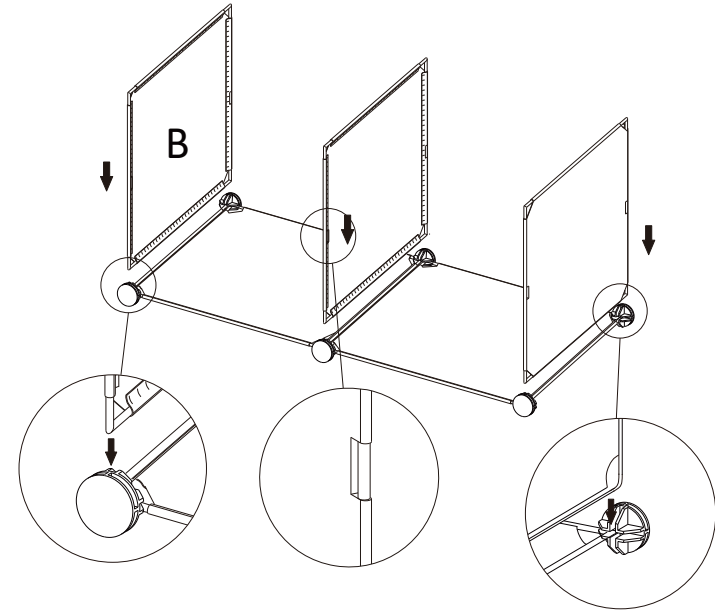
STEP 1

A: 2 PCS E: 6 PCS



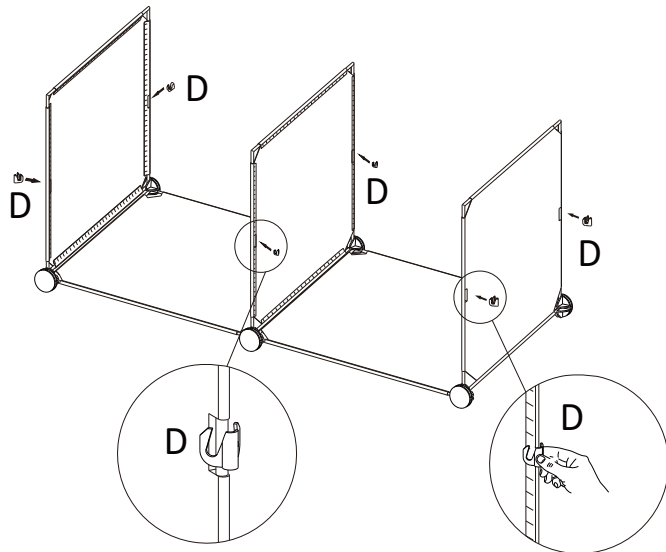
STEP 2

B: 3 PCS



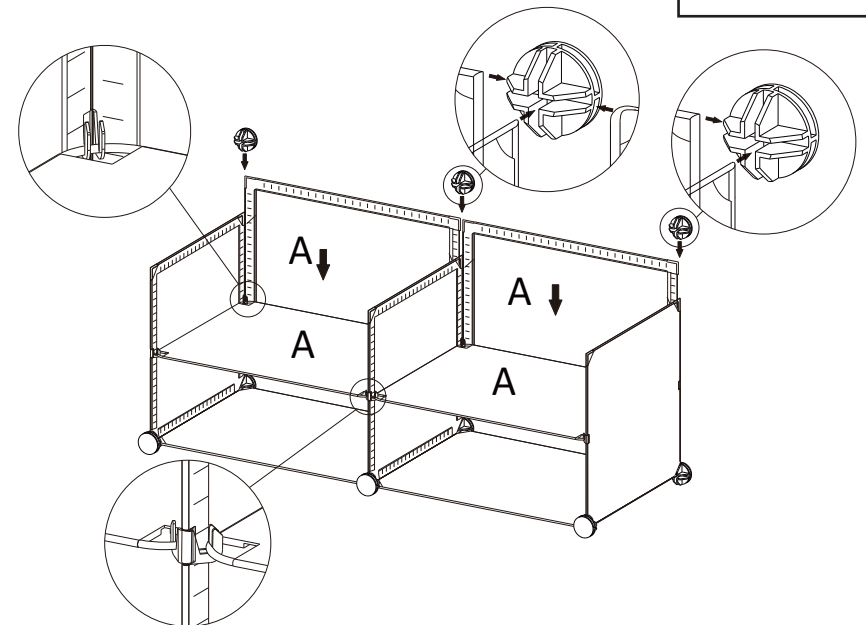
STEP 3

D: 6 PCS



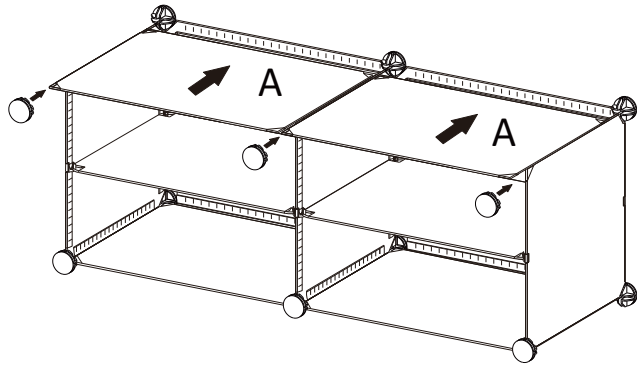
STEP 4

A: 4 PCS E: 3 PCS

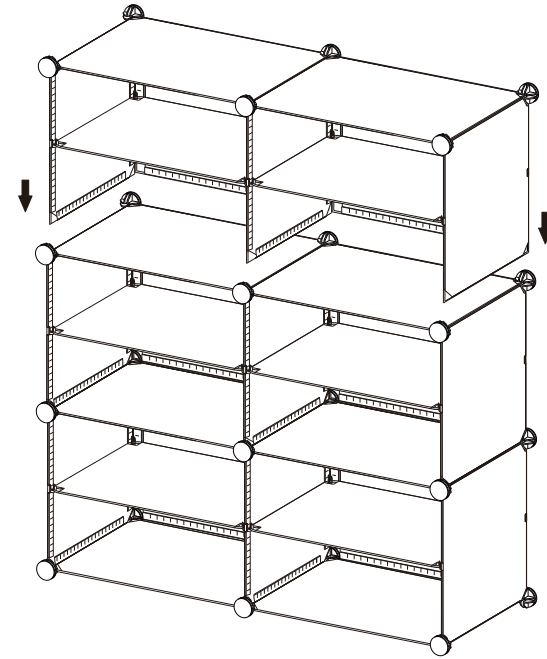


STEP 5

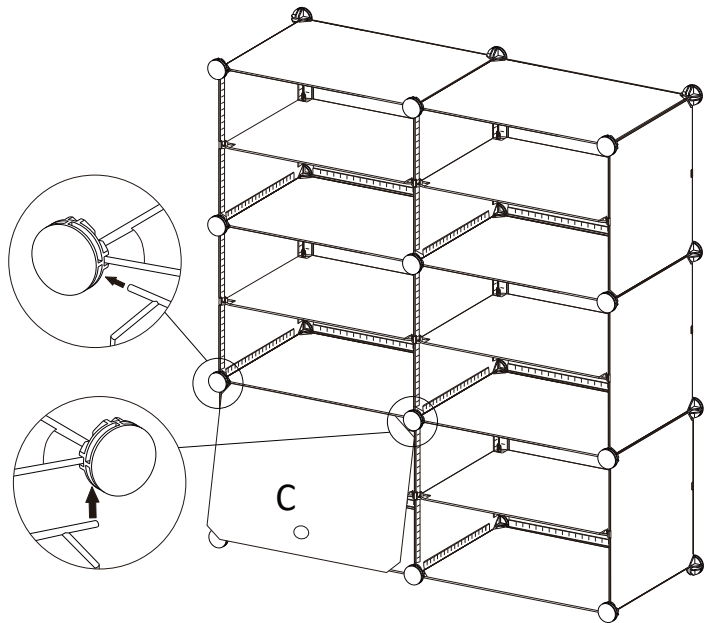
A: 2 PCS E: 3 PCS



STEP 6



STEP 7



STEP 8

