

Instruction Manual

K: 43393848 | T: 69358067 NARROW 4 DRAWER

CARE INSTRUCTIONS: Check and tighten all parts regularly. Wipe clean with a soft damp cloth.

WARNING: Do not stand, sit or lean on the trolley. Use only on a flat surface. Adult assembly required. Failure to follow these warning could result in serious injury.

MAXIMUM LOADING WEIGHT: 9kg for bottom drawer, 2kg for other three drawers

A



B X 3



C



D X 2



E



F X 6



G X 3



H



I X 3



J



K X 3



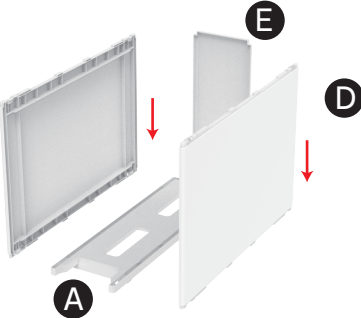
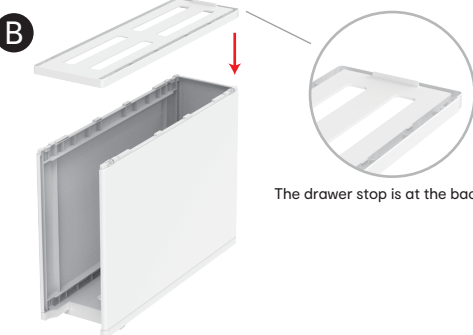
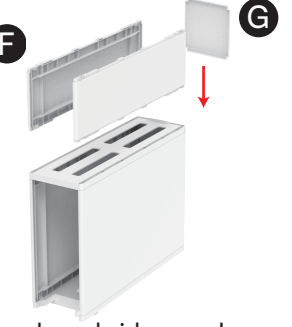
L



M X 6

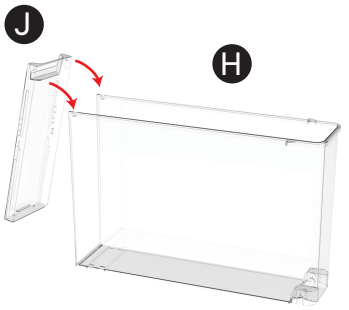
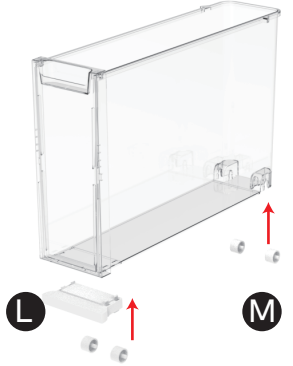
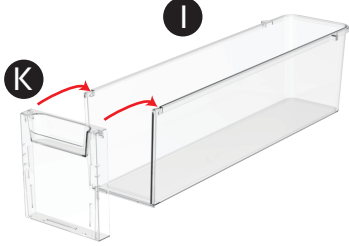




Instruction Steps

 <p>STEP 1 Assemble back and side panels.</p>	 <p>STEP 2</p>	 <p>STEP 3 Assemble back and side panels.</p>
--------------------------------------------------------------------------------------------------------------------------------	--------------------------------------------------------------------------------------------------	----------------------------------------------------------------------------------------------------------------------------------



STEP 4

 <p>STEP 5 Assemble large drawer.</p>	 <p>STEP 6 Assemble wheels for large drawer.</p>	 <p>STEP 7 Assemble small drawers.</p>	 <p>STEP 8 Put drawers into cabinet.</p>	 <p>STEP 9 Install the wheels.</p>
--------------------------------------------------------------------------------------------------------------------------	-------------------------------------------------------------------------------------------------------------------------------------	----------------------------------------------------------------------------------------------------------------------------	-------------------------------------------------------------------------------------------------------------------------------	-------------------------------------------------------------------------------------------------------------------------