




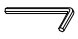


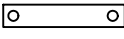
# Assembly Instructions

## 43393947 NOIR CONSOLE






**CARE INSTRUCTIONS:** WIPE CLEAN WITH A DAMP OR DRY CLOTH. DO NOT USE ABRASIVE MATERIALS AND SOLVENTS. KEEP AWAY FROM WATER AND DIRECT SUNLIGHT. STORE IN A DRY PLACE. FOR INDOOR AND DOMESTIC USE ONLY.

**WARNING:** DO NOT SIT OR STAND ON THIS TABLE. DO NOT DRAG OR KNOCK THE TABLE. DO NOT USE THIS TABLE UNLESS ALL BOLTS AND SCREWS ARE FIRMLY SECURED. THIS PACKAGE CONTAINS SMALL PARTS AND SHARP POINTS. KEEP AWAY FROM CHILDREN AND BABIES. ADULT ASSEMBLY REQUIRED. USE ONLY ON A FLAT SURFACE. FAILURE TO FOLLOW THESE WARNINGS COULD IN SERIOUS INJURY. A MILD ODOUR MAY BE PRESENT WHEN FIRST OPENING THIS CARTON. SIMPLY ALLOW TO AIR OUTSIDE AND THIS WILL FADE. **MAXIMUM SAFE LOAD: 10KG FOR EACH SHELF.**

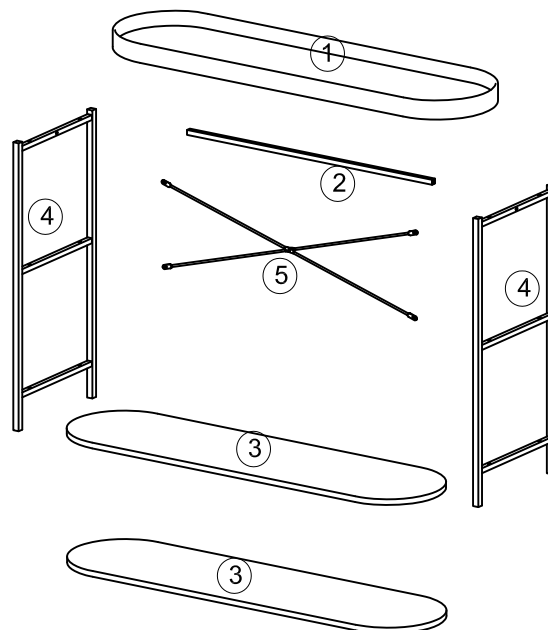
### 1 Hardware List

	A	M6x35mm	2pcs		B	M6x20mm	12pcs		C	M6*12mm	4pcs
	D	M4mm	1pcs		E	4*35mm	2pcs		F	6*30mm	2pcs
	G		2pcs								

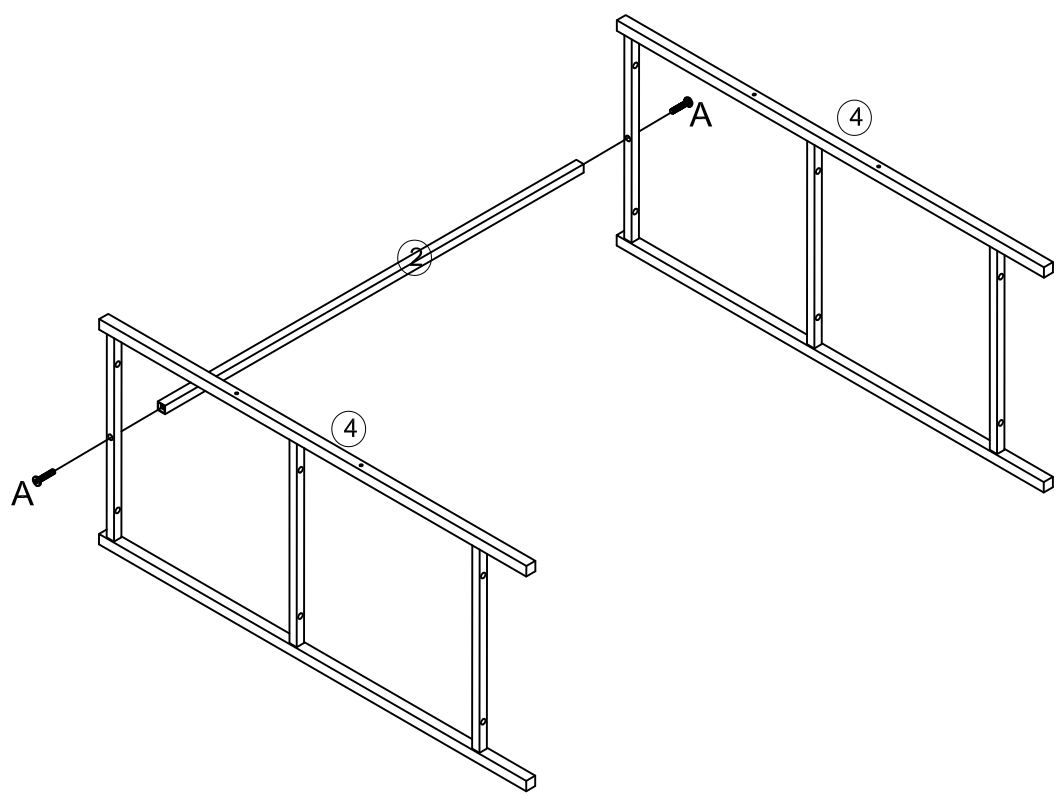
### 2 Parts List

							
①	1pc	②	1pc	③	2pcs	④	2pcs
							
⑤	1pcs						

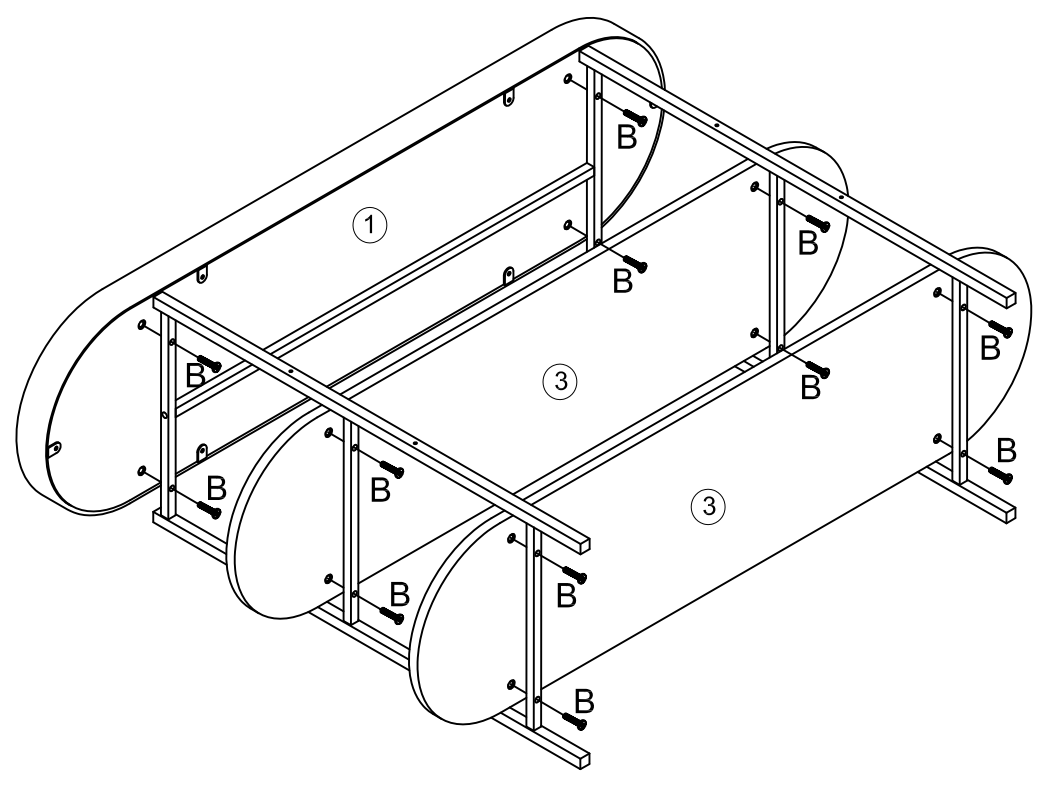
### 3




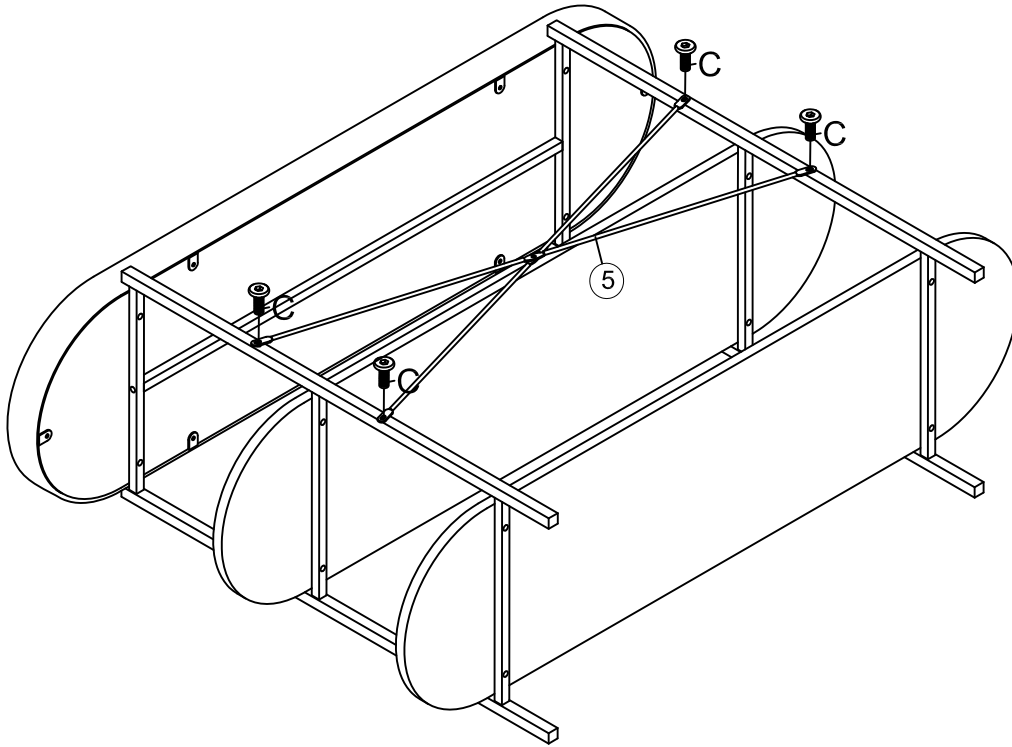
STEP 1 A-~ x 2



STEP 2 B-~ x 12

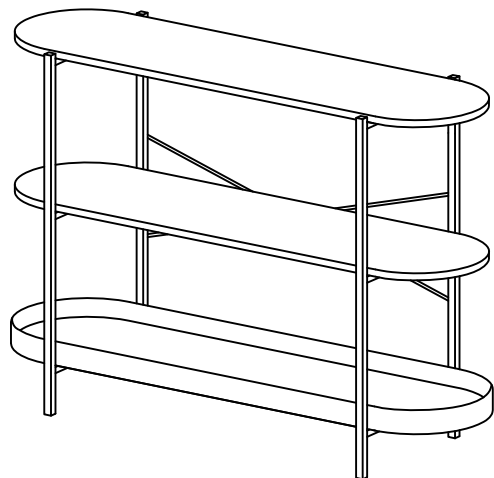
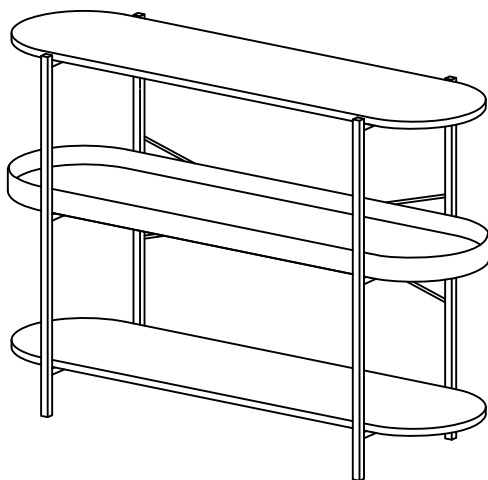


STEP 3 C -  x 4



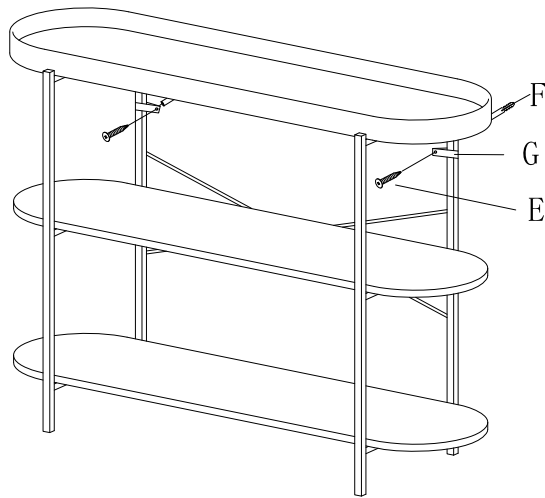
STEP 4

Remark: The tray can be installed in the middle or bottom.



## STEP 5

F -  x 2   G -  x 2   E -  x 2



### TOPPLING FURNITURE WARNING:

- **It is strongly recommended that this product is permanently fixed to the wall.**
- **Please seek professional advice if you are in doubt of what fixing device to use.**
- **Regularly check that anchors are securely maintained.**
- **Stability of tall items may be affected by thick pile carpet or uneven floors.**
- **Do not place unanchored televisions on furniture.**

**CAUTION:** for your safety when attaching the anchor fixings, please note the following:

- **Check any electrical wires or plumbing inside the wall before drilling any holes (if you are unsure please seek professional advice from a qualified tradesperson).**



**WARNING:** PLEASE SECURE YOUR FURNITURE WITH THE SUPPLIED WALL FIXING. SCAN THE CODE FOR MORE INFORMATION.

