

Assembly Instructions







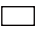

43394326 CARTER ARCHED SIDE TABLE








CARE INSTRUCTIONS: WIPE CLEAN WITH A DRY CLOTH. DO NOT USE ABRASIVE MATERIALS AND SOLVENTS. CHECK AND TIGHTEN ALL PARTS REGULARLY. DO NOT PLACE HOT ITEMS SUCH AS COFFEE CUPS DIRECTLY ON THE SURFACE. KEEP AWAY FROM WATER AND DIRECT SUNLIGHT. STORE IN A DRY PLACE. FOR DOMESTIC USE ONLY. FOR INDOOR USE ONLY. A MILD ODOUR MAY BE PRESENT WHEN FIRST OPENING THIS CARTON. SIMPLY ALLOW TO AIR OUTSIDE AND THIS WILL FADE.

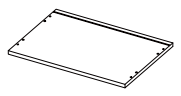
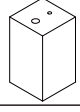
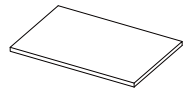
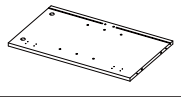
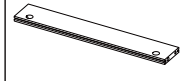
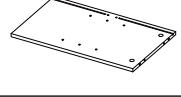
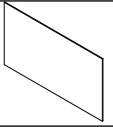
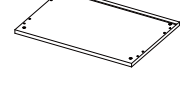
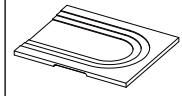
WARNING: DO NOT STAND OR SIT ON THIS UNIT. DO NOT USE THIS UNIT UNLESS ALL BOLTS AND SCREWS ARE FIRMLY SECURED. DO NOT KNOCK OR DRAG THIS UNIT. USE ONLY ON A FLAT SURFACE. ADULT ASSEMBLY REQUIRED. FAILURE TO FOLLOW THESE WARNINGS COULD RESULT IN SERIOUS INJURY. LOAD DRAWER EVENLY TO PREVENT FROM TIPPING OVER. THIS PACKAGE CONTAINS SMALL PARTS AND SHARP POINTS. KEEP AWAY FROM CHILDREN AND BABIES.

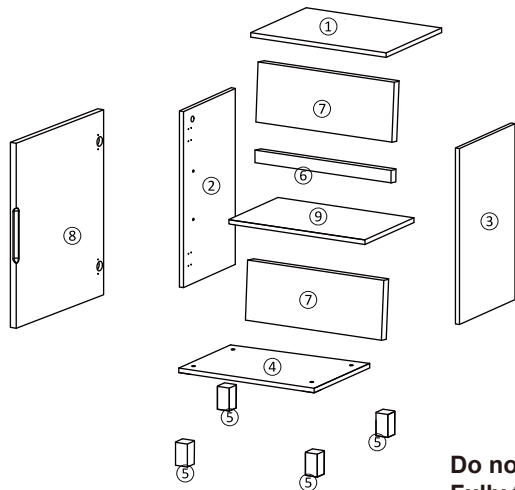
MAXIMUM SAFE LOAD: TOP 10KG, DRAWER:5KG.

Hardware list

	A		4pcs
	B	M6x30	10pcs
	C	M6x35	6pcs
	D	M15x10	6pcs
	E	M4x35	4pcs
	F	M5x40	4pcs
	G		4pcs
	H		2pcs

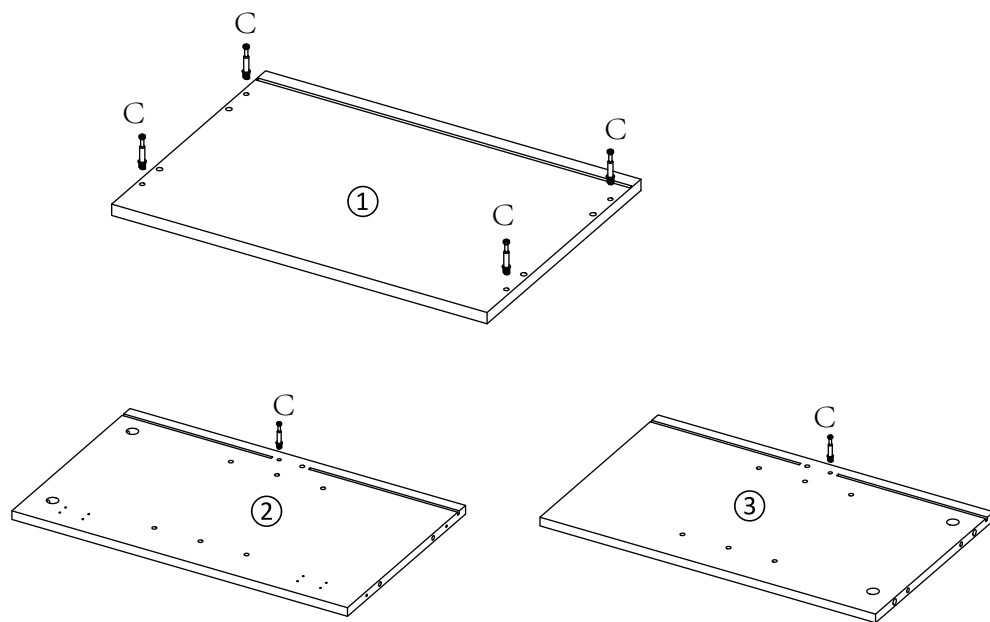
	I	M4x12	12pcs
	J		4pcs
	K	M3x14	4pcs
	L		1set
	M		1set
	N	M8x30	4pcs
	O		1pc


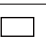


NO.	PICTURE	QTY	NO.	PICTURE	QTY	NO.	PICTURE	QTY
①		1	⑤		4	⑨		1
②		1	⑥		1			
③		1	⑦		2			
④		1	⑧		1			

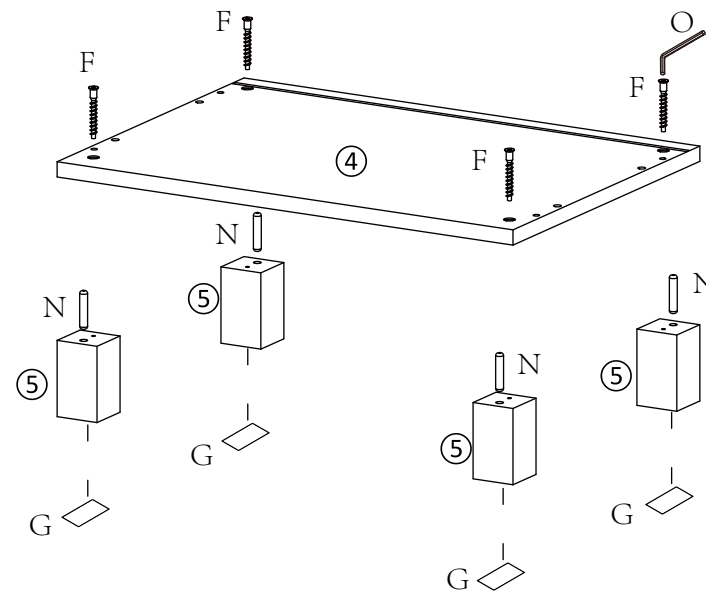


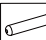

**Do not tighten the screws fully during assembly.
Fully tighten screws after the final assembly steps**

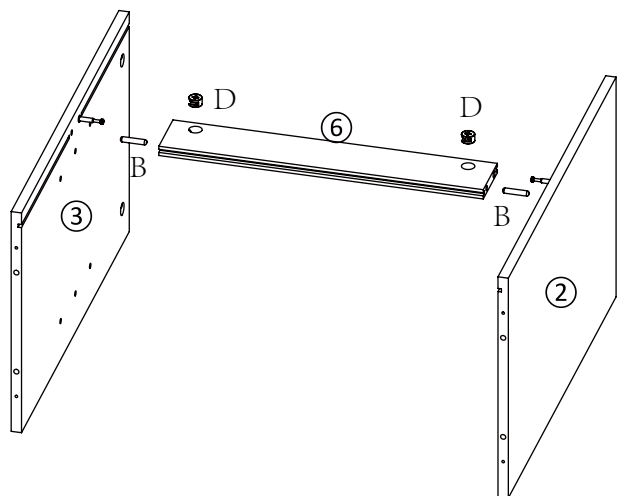
STEP 1  C x 6

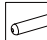



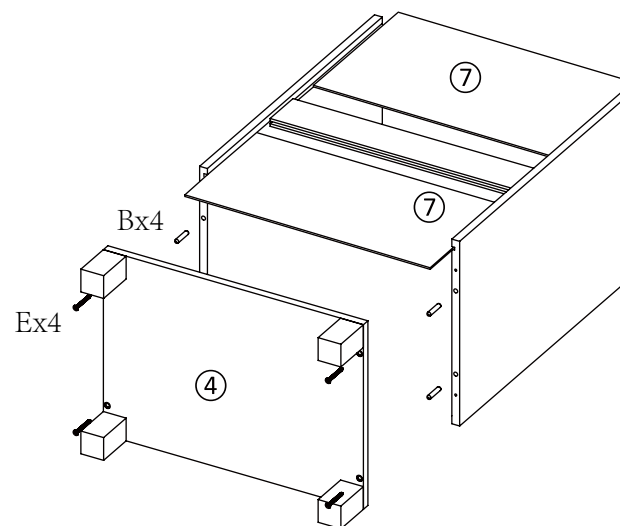
STEP 2  F x 4  G x 4  N x 4  O x 1




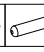
STEP 3  B x 2  D x 2

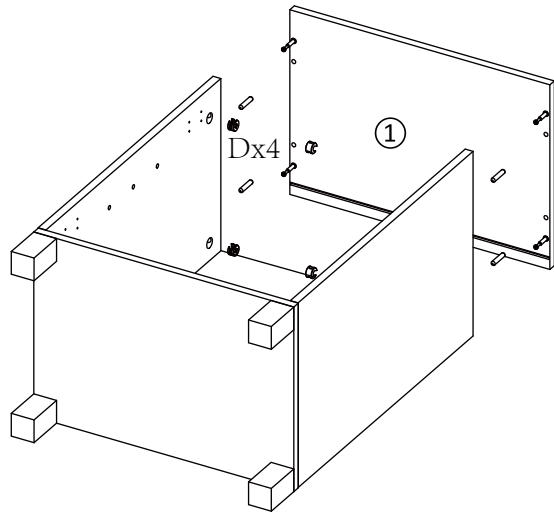


STEP 4  B x 4  E x 4





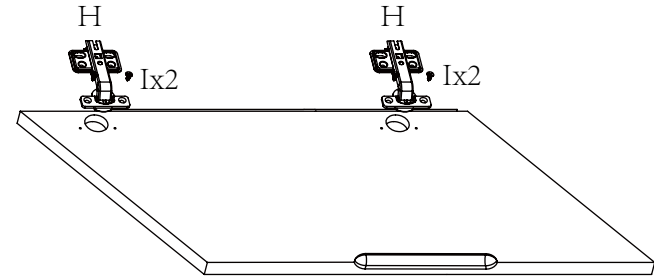
STEP 5

 D x 4  B x 4



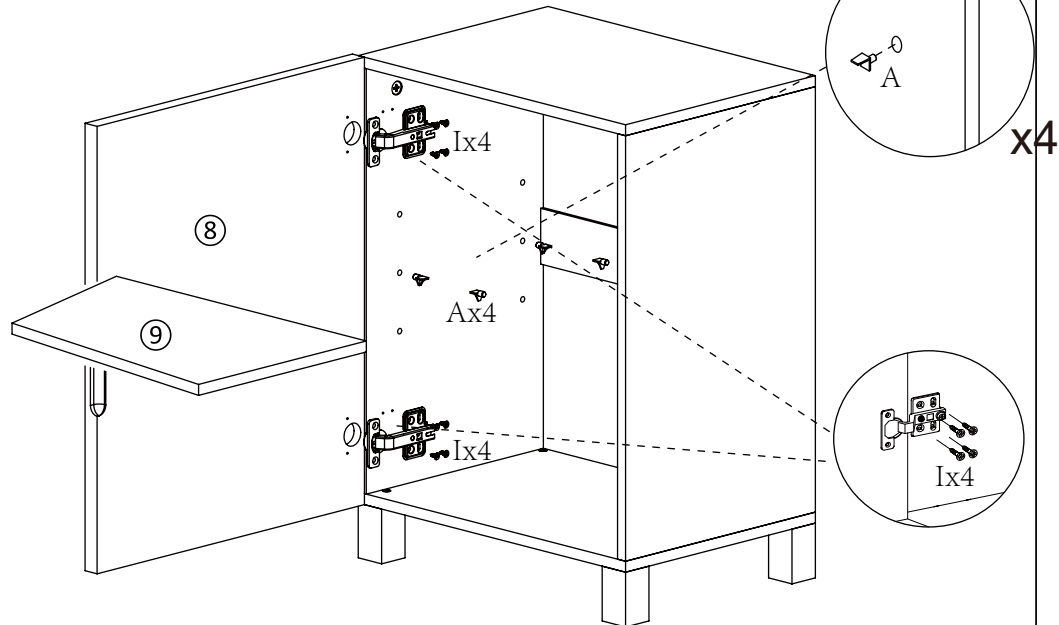
STEP 6

 H x 2  I x 4


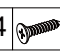



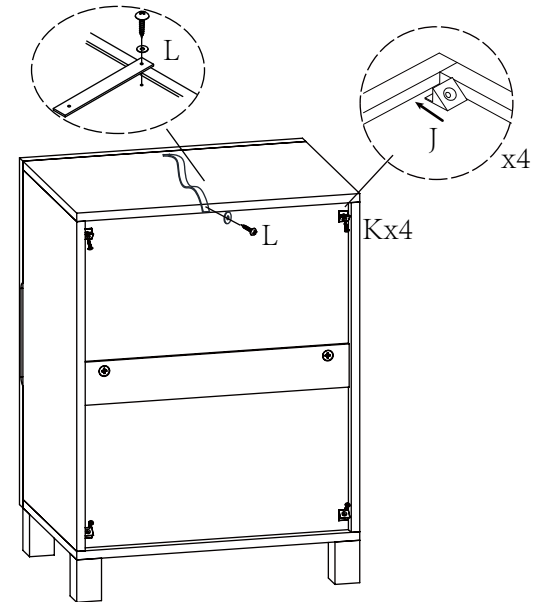
STEP 7

 A x 4  I x 4

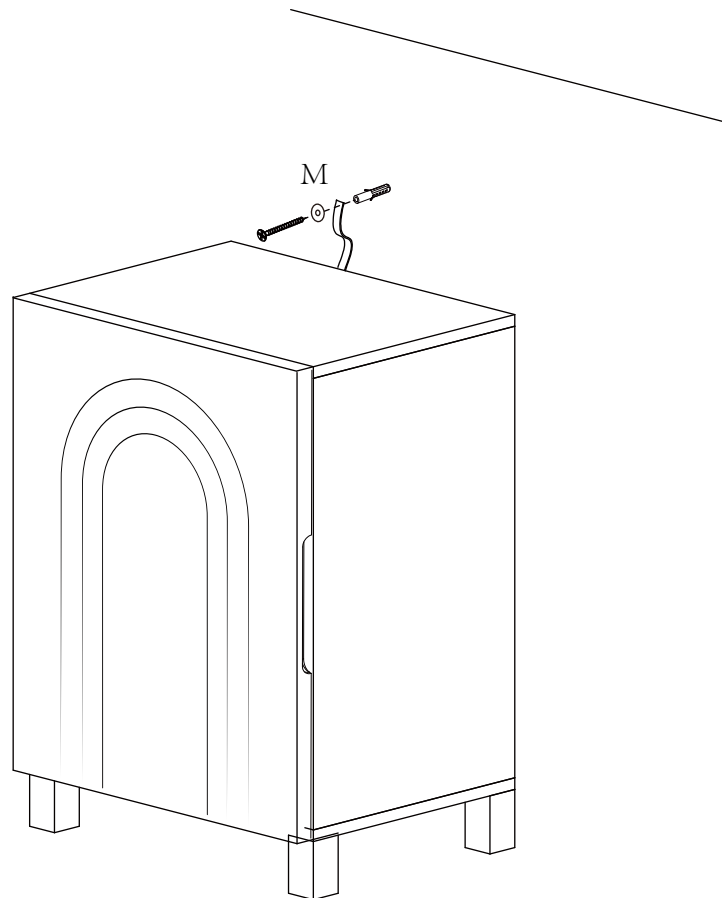


STEP 8

 J x 4  K x 4  L x 1



STEP 9



Warning:

- It is strongly recommended that this product is permanently fixed to the wall.
- Please seek professional advice if you are in doubt of what fixing device to use.
- Regularly check that anchors are securely maintained.
- Stability of tall items may be affected by thick pile carpet or uneven floors.
- Do not place unanchored televisions on cabinet.

Caution: for your safety when attaching the anchor fixings, please note the following:

- Check any electrical wires or plumbing inside the wall before drilling any holes (if you are unsure please seek professional advice from a qualified tradesperson).



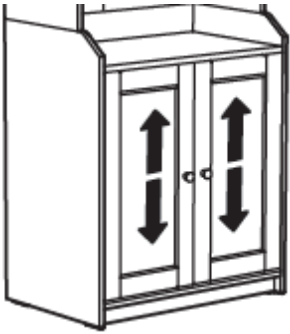
WARNING: PLEASE SECURE YOUR FURNITURE WITH THE SUPPLIED WALL FIXING. SCAN THE CODE FOR MORE INFORMATION.



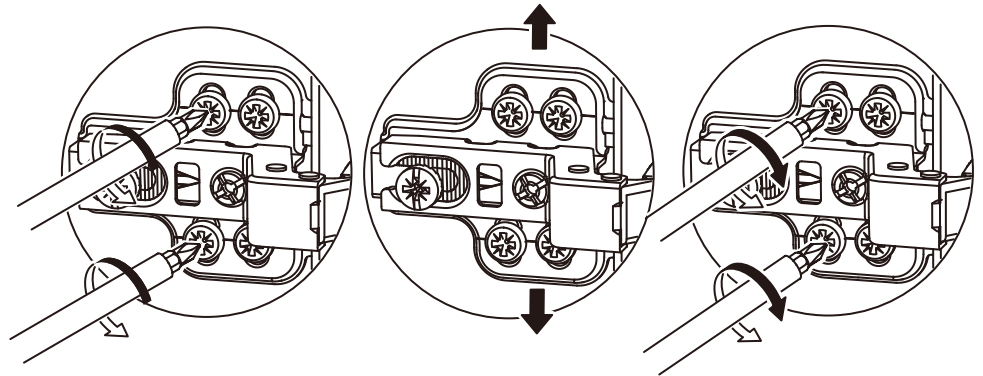
Hinger Adjustment Tips

Noted: The door might be scraping, bumping, misaligned when first assembly.

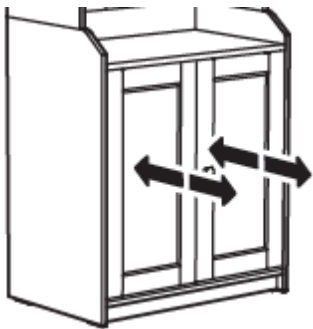
Please follow the below tips:



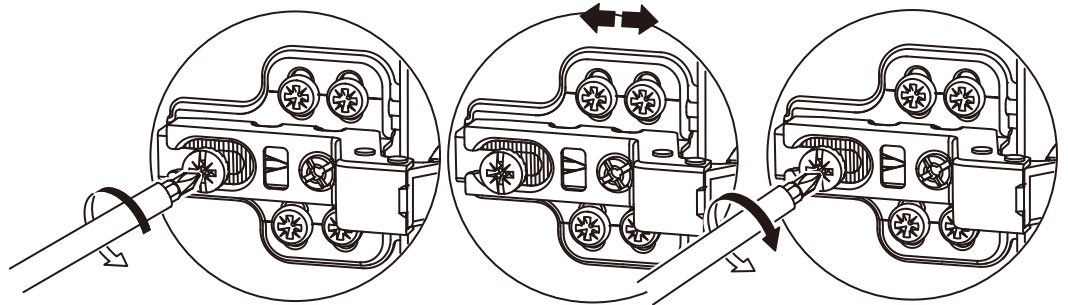
Adjust the door up and down



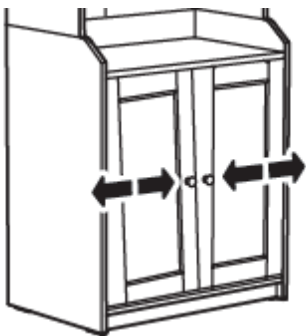
1. Loosen the two mounting screws on both hinges, but only slightly. ...
2. Gently close the cabinet door.
3. With the door still closed, adjust the cabinet door to the desired height.
4. Open the cabinet door again, being careful not to jostle the door out of position.
5. Retighten the screws by hand.



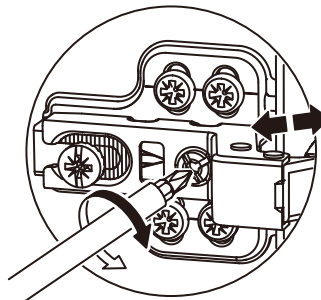
Move the door in and out



If the door doesn't meet the box at the top, adjust the top hinge toward the cabinet and/or adjust the bottom hinge away from the cabinet. If the door is gapped at the bottom, do the reverse.



Move the door right or left



You can adjust one or both hinges on each door, depending on how much correction it needs. If the door seems to be tilting down to the right, turn the side-to-side screw on the top hinge so the hinge pulls closer to the side of the cabinet box, moving the top of the door to the left.