

# Assembly Instruction

43394333 - ARCH SIDE TABLE SAGE



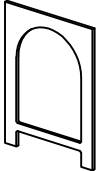

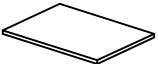
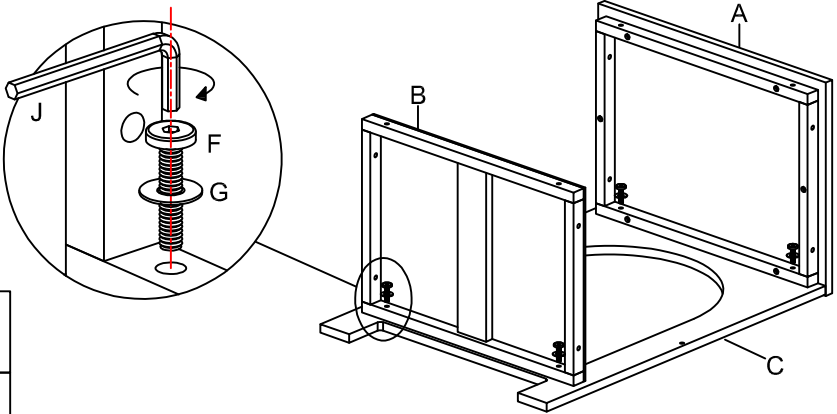
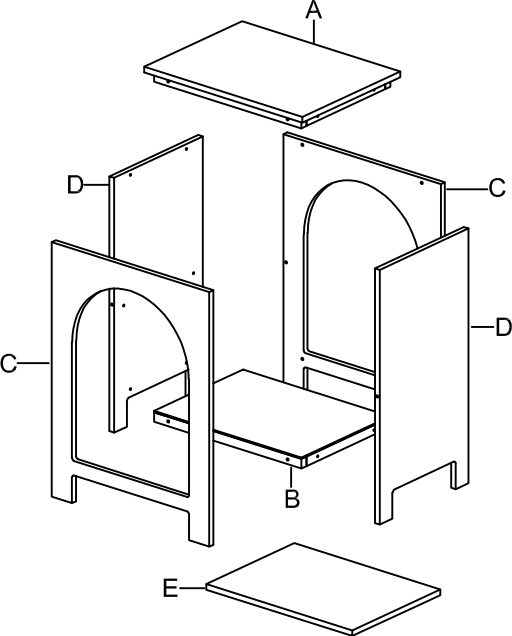


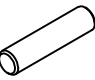


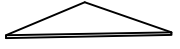
## CARE INSTRUCTIONS:

WIPE CLEAN WITH A SOFT DAMP CLOTH. DO NOT USE ABRASIVE MATERIAL AND SOLVENTS. CHECK AND TIGHTEN ALL PARTS REGULARY.

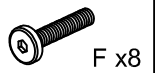
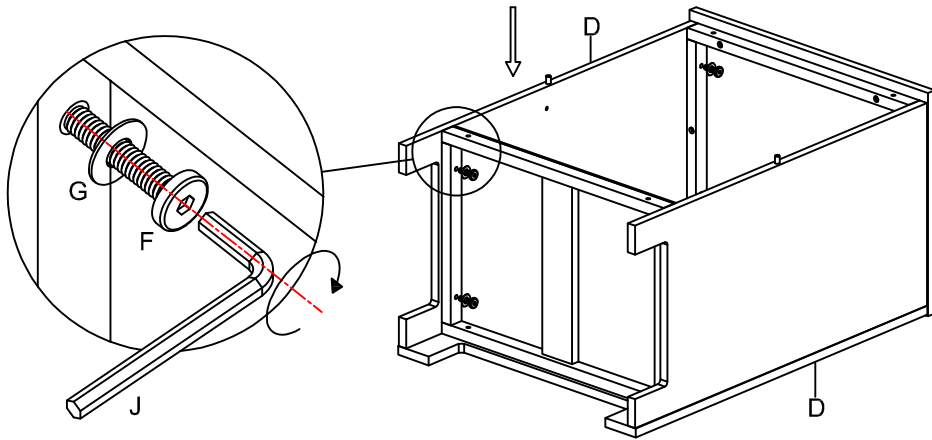
## WARNING:

DO NOT STAND ON THE UNIT. USE ONLY ON A FLAT SURFACE. DO NOT USE UNTIL ALL SCREWS, BOLTS AND KNOBS ARE FIRMLY SECURED. THIS PRODUCT CONTAINS SMALL PARTS AND SHARP POINTS, KEEP AWAY FROM CHILDREN AND BABIES. ADULT ASSEMBLY REQUIRED. FAILURE TO FOLLOW THESE WARNINGS COULD RESULT IN SERIOUS INJURY.

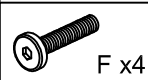
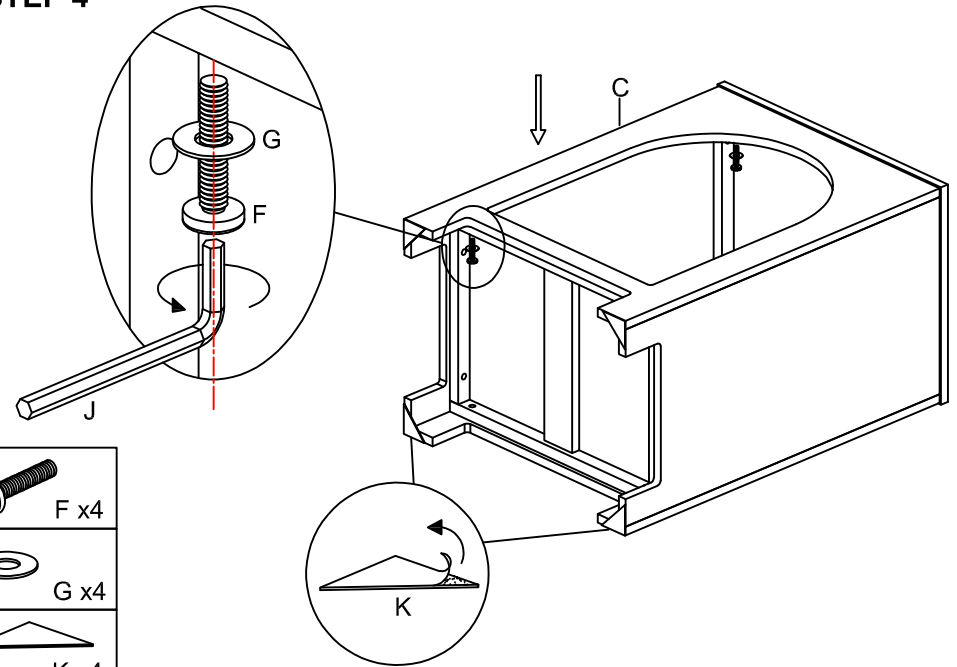
**MAXIMUM SAFE LOAD: 20kg for Top, 5kg for Shelf**

<p>A x1</p> 	<p>B x1</p> 	<p>C x2</p> 	<p>D x2</p> 	<p>E x1</p> 	<p><b>STEP 1</b></p> 
					
<p>Do not tighten the screws fully during assembly. Fully tighten screws after the final assembly steps.</p>					<p>F x16</p>  <p>G x16</p>  <p>H x4</p>  <p>I x4</p>  <p>J x1</p>  <p>K x4</p> 

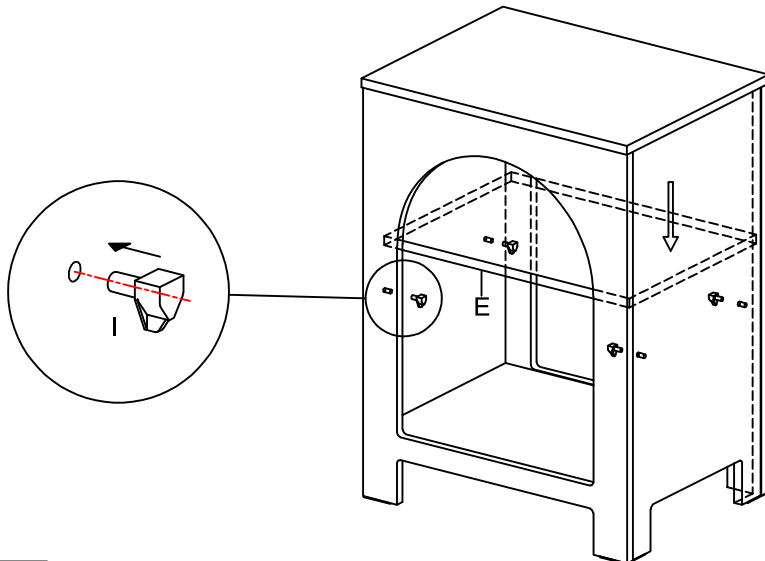
### STEP 3



### STEP 4



### STEP 5



### FINISH

