

## Cleaning & Maintenance:

- 1) Turn the appliance off before you start cleaning it.
- 2) Do not immerse the appliance in water. Clean the appliance surface with a dry cloth .
- 3) Do not use any lubricant, detergent, polishing agents, alcohol, steel wool, abrasive cleansers, chemicals or corrosive liquids on this appliance.

## Battery and appliance disposal:

1. This appliance has a lithium battery. Batteries contain substances harmful to our environment, please do not dispose of the appliance containing batteries with the normal household waste, instead hand it over to an official recycling point.

## 2.Trouble Shooting

Problem	Possible Cause	Solution
LED Light is not bright enough or it does not turn on	The battery is running low or is out of power	Charge the appliance as guided

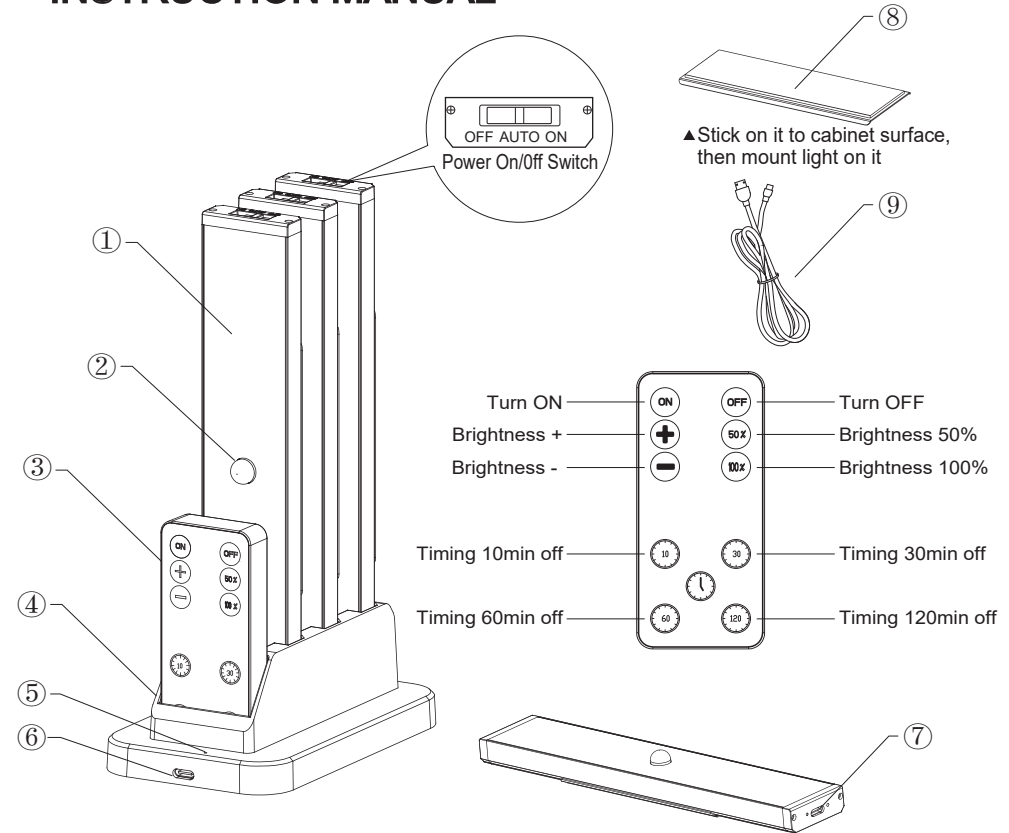
## Packing Included:

- 3 pcs motion sensor light
- 1 set charging base
- 3 pcs metal pad
- Type-C USB charging cable
- 1 pc remote control
- User Manual

# anko

MOTION SENSOR LIGHT KIT  
K: 43396481 | T: 69316760  
SLR-24901

## INSTRUCTION MANUAL



## Product Description:

## Safety Instructions:

To ensure proper operation of this appliance, please read this instruction manual carefully before you use the appliance and save it for further reference.

### ⚠ WARNING

- Check the appliance before you use it, do not use the appliance if it has any crack, gap or any other damage.
- Do not attempt to repair, disassemble, or modify the appliance by yourself to avoid accidents.
- The light source of this luminaire is not replaceable; when the light source reaches its end of life the whole luminaire shall be replaced.
- For indoor use only.

### ⚠ CAUTION

- This appliance has a lithium battery. Do not place or store the appliance for long periods of time in a hot or humid environment. If you do not intend to use the appliance for a long time, store the appliance after it is fully charged.
- This appliance contains battery and LED lights that are non-replaceable.
- Ensure charging power used is compatible with a 5VDC SELV 1.5A, 7.5W rating.

## Specifications:

- Charging Voltage / Current: 5V  $\overline{=}$  / 1500mA Max. 7.5W
- Type of Battery: Li-polymer 3.7V 650mAh
- Ta: 25°C

## Remote control parameter

- 2 \* 1.5V AAA batteries required (batteries not included)
- In the ON mode, when the remote control timing is over, the light bar needs to be woken up. Using the remote control or sliding the switch to wake up

## Assembly Instructions:

- 1) Clean the cabinet surface where you're going to install the light to keep it smooth & dry. Remove the protective film of the metal pad.
- 2) Stick on the metal pad to cabinet surface, press it to make sure it firmly sticks. Mount light on the metal pad. You can detach it when recharging.
- 3) Only charge the lamp with the supplied USB cable.

## Charging Base Introduction:

This is a base for charging motion sensor lights, which can charge three LED light bars at the same time, or charge a single cabinet light separately. It is not only a charging base, but also a good helper for storage space, keeping your desk top clean and tidy. There are 4 non-slip pads at the bottom to prevent the base from sliding.

## Using the Appliance:

For better use experience, please read below instructions carefully:

1. This appliance needs to be charged if the light ray is not bright enough. Please use 5VDC SELV 1.5A 7.5W adaptor (not included) to charge.
2. The base charging indicator (On the upper right side of the charging port) will be red while charging.
3. Turn on the switch to AUTO, the light will be auto-triggered by infrared motion sensor when detected movement only in the dark, auto-off after about 20 seconds of no motion detected. Most people select this mode for daily use.
4. If the light is not triggered (Motion-sensor-mode) for the first use, don't worry! Motion sensor will be only activated in the dark atmosphere with brightness below 30 Lux. Please try it again in your cabinet or somewhere dark enough.