

Assembly Instructions

43397785 ISLA BEDSIDE TABLE

CARE INSTRUCTIONS:





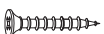


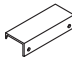



WIPE CLEAN WITH A SOFT DAMP CLOTH. NEVER USE SCOURERS, ABRASIVES OR CHEMICAL SOLVENTS. KEEP AWAY FROM MOISTURE AND DIRECT SUNLIGHT. STORE IN A DRY PLACE. FOR INDOOR USE ONLY.

WARNING:



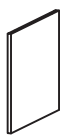
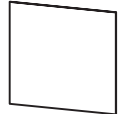








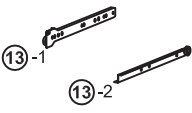
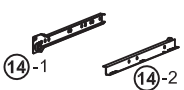
DO NOT STAND, SIT OR LEAN ON THE UNIT. DO NOT USE THIS UNIT AS A STEP LADDER. ENSURE THIS UNIT IS USED ONLY ON A FLAT SURFACE. DO NOT USE THIS UNIT UNLESS ALL BOLTS AND SCREWS ARE FIRMLY SECURED. DO NOT PLACE HOT OBJECTS SUCH AS COFFEE CUPS DIRECTLY ON THE SURFACE OF THIS FURNITURE ITEM. THIS ITEM IS FOR STORAGE PURPOSES ONLY. CONTAINS SMALL PARTS. IT IS TO BE ASSEMBLED BY AN ADULT. FAILURE TO FOLLOW THESE WARNINGS COULD RESULT IN SERIOUS INJURY.

MAXIMUM SAFE LOAD: TOP:10KG; DRAWER: 5KG.

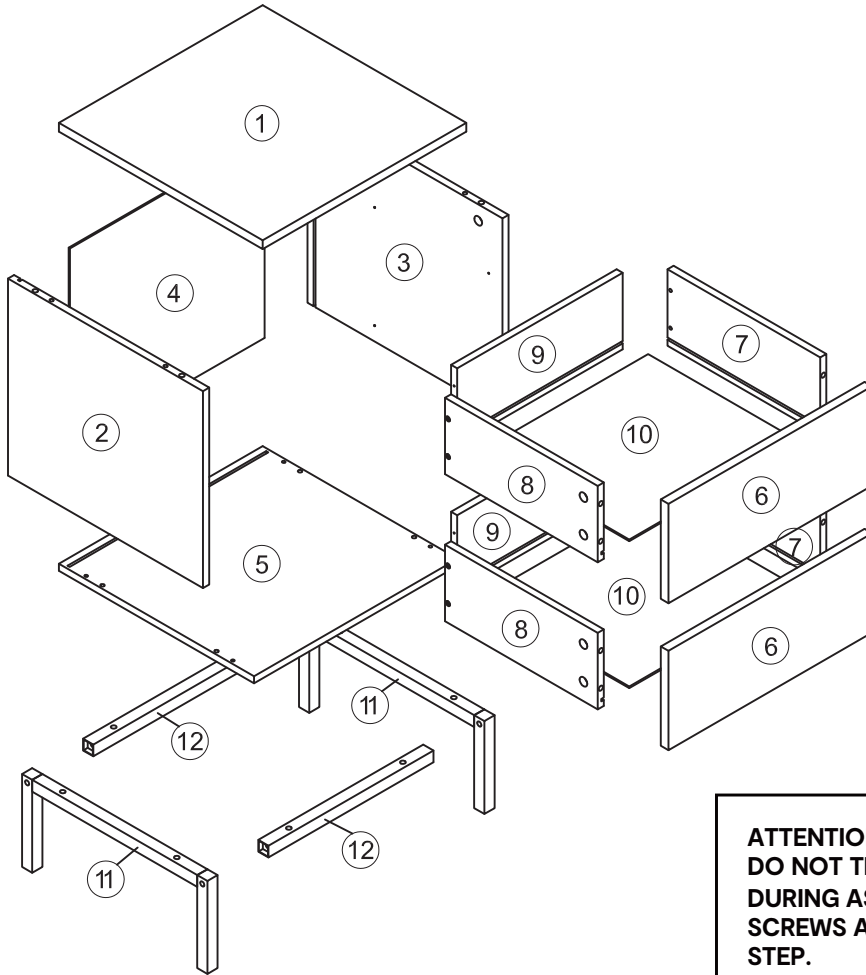
1 Hardware List

	A	M6x35mm	12pcs		B	Ø15x10mm	12pcs		C	Ø6x30mm	8pcs
	D	M3.5x12mm	32pcs		E	M4x35mm	12pcs		F	M6x28mm	8pcs
	G	M6x40mm	4pcs		H		2pcs		I		4pcs
	J	M4*12mm	4pc		K	M4mm	1pc				

2 Parts List

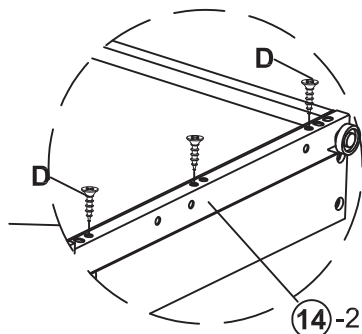
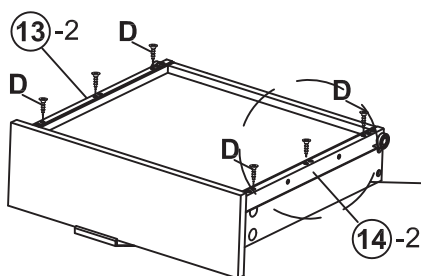
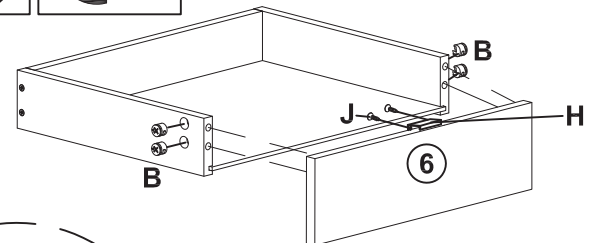
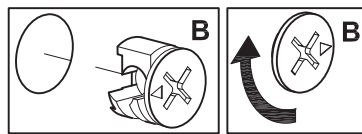
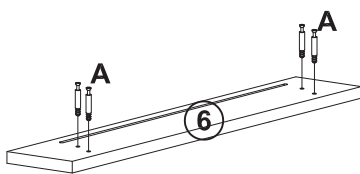
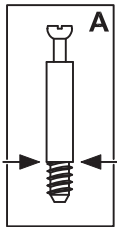
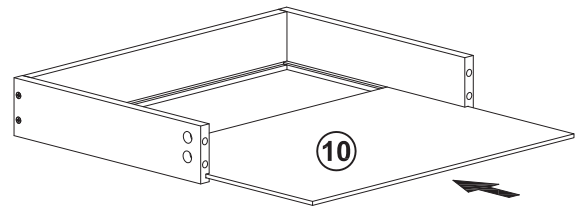
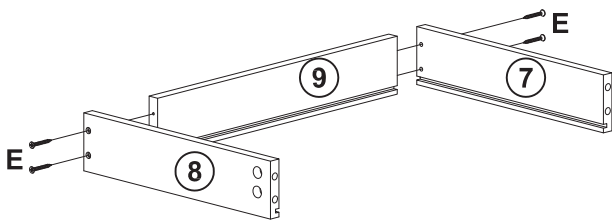
							
①	1pc	②	1pc	③	1pc	④	1pc
							
⑤	1pc	⑥	2pcs	⑦	2pcs	⑧	2pcs
							
⑨	2pcs	⑩	2pcs	⑪	2pcs	⑫	2pcs
							
⑬	2pcs	⑭	2pcs				

3



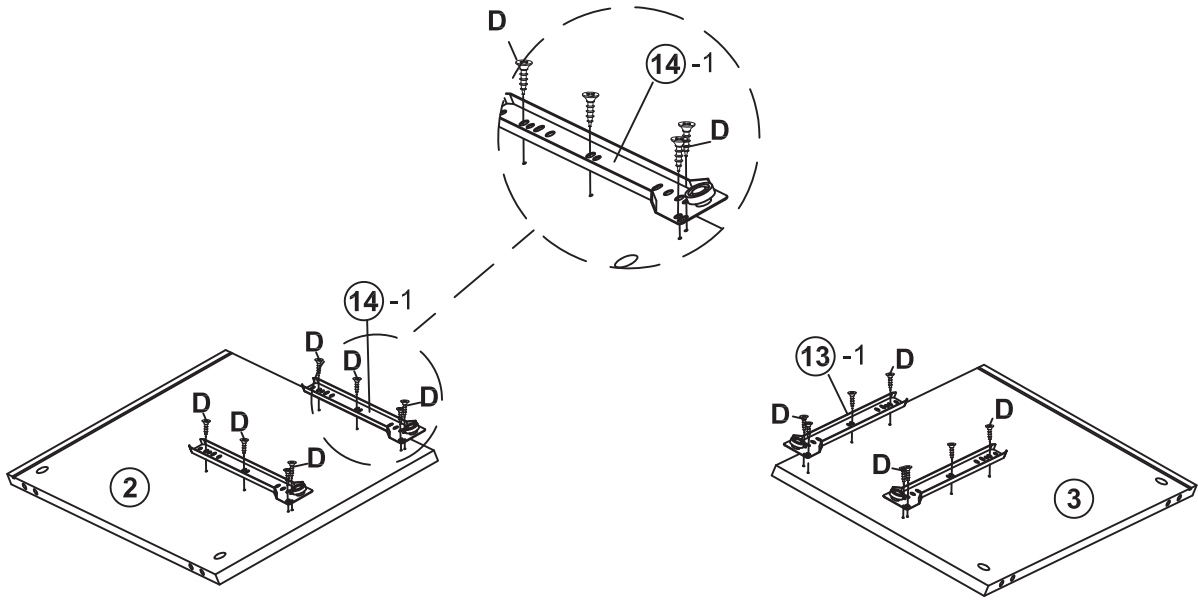
ATTENTION:
DO NOT TIGHTEN THE SCREWS FULLY DURING ASSEMBLY. FULLY TIGHTEN SCREWS AFTER THE FINAL ASSEMBLY STEP.




STEP 1 A - x 8 B - x 8 D - x 12 E - x 8 H - x 2 J - x 4

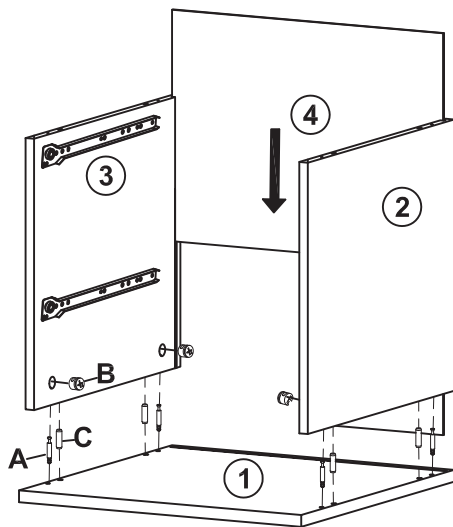




X2

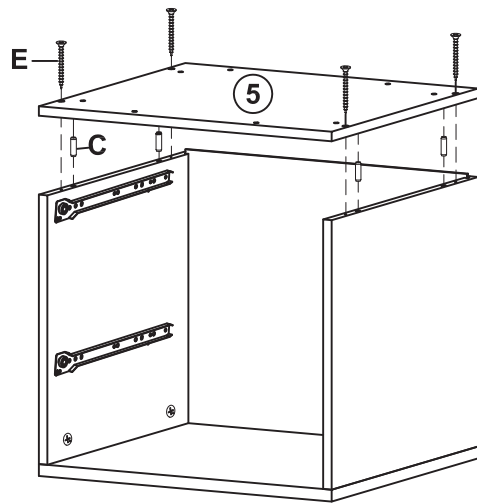
STEP 2 **D -  x 16**



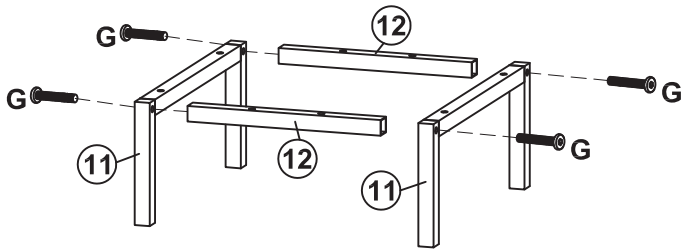
STEP 3 **A -  x 4** **B -  x 4** **C -  x 4**




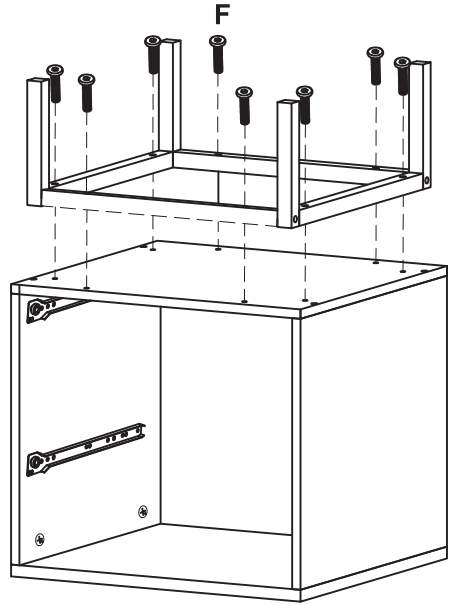
STEP 4 **C -  x 4** **E -  x 4**



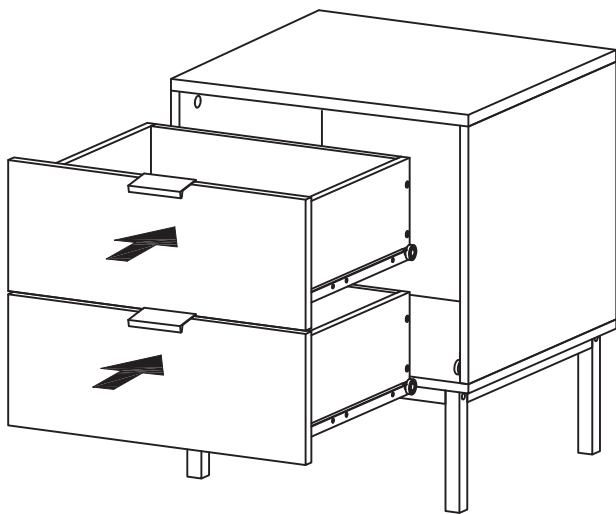
STEP 5 G -  x 4 K -  x 1



STEP 6 F -  x 8 K -  x 1



STEP 7



STEP 8 D -  x 4 I -  x 4

