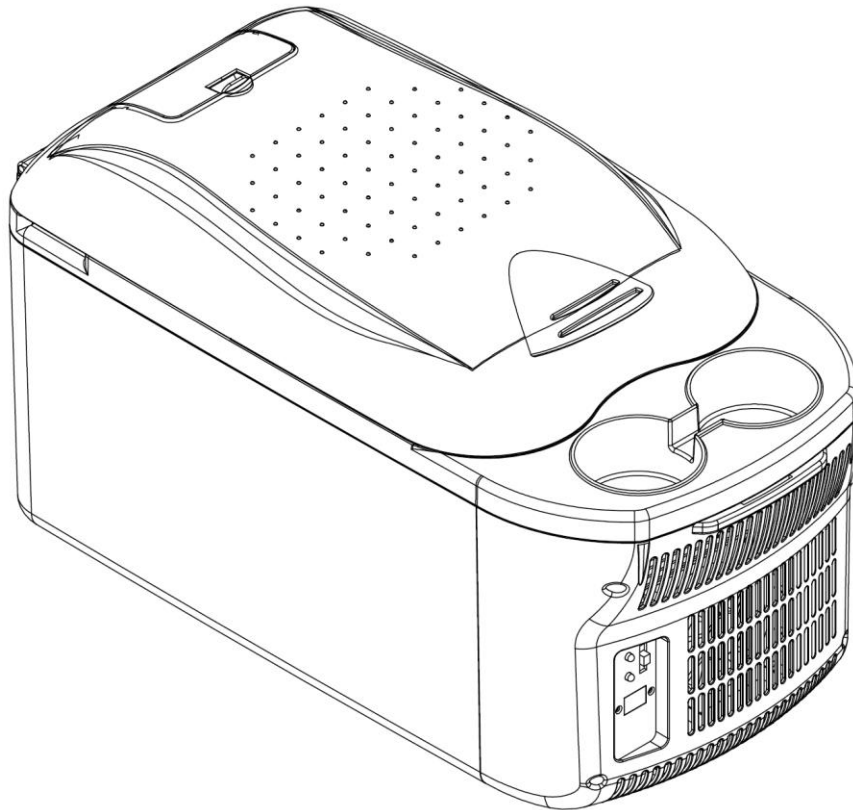


Thermoelectric Cooler and Warmer Instruction Manual

Keycode:43408795



Characteristics of our products:

Mini Thermoelectric Cooler and Warmer is a compact, lightweight unit ideal for travel

- Perfect for day trips, picnics, lunches or the beach
- Thermoelectric system cools or warms below or above the ambient temperature
- Insulated construction helps keep contents cool or warm, even after disconnecting from the power source.

Use as a cooler to keep canned drinks, bottled drinks, sandwiches, fruit, and salads fresh and cold without using ice or cold packs. Ideal for storing temperature sensitive medicines when travelling.

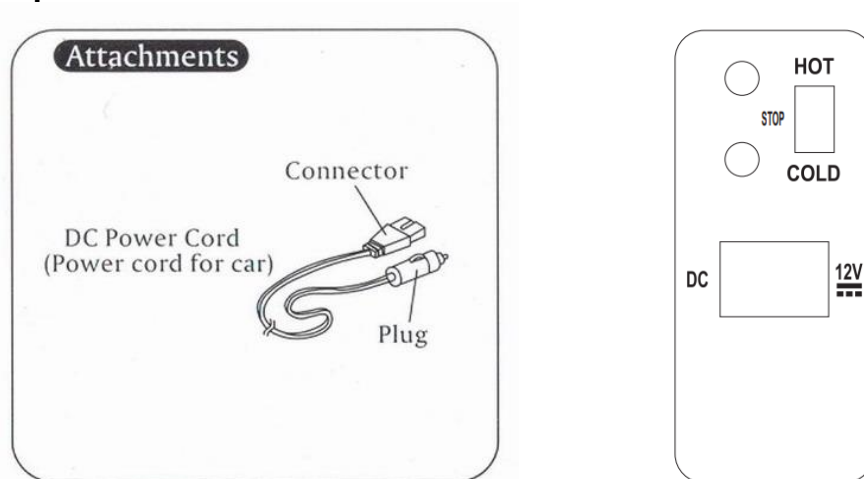
Use as a warmer to keep prepackaged/pre-heated meals, take away food, soup and stews, leftovers, baby food jars and baby bottles warm, and ready to eat while on the road.

Performance:

To obtain optimized cooling effect, we recommend putting in pre-chilled foods and drinks. It will take 2 or 3 hours to cool room temperature foods or drink.

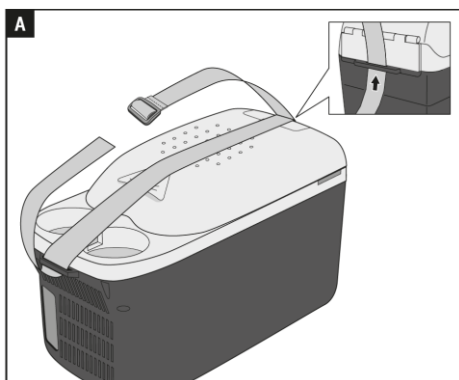
The cooler and warmer is not designed to heat cold food but to preserve hot food at a warm temperature. It can keep the food warm for hours.

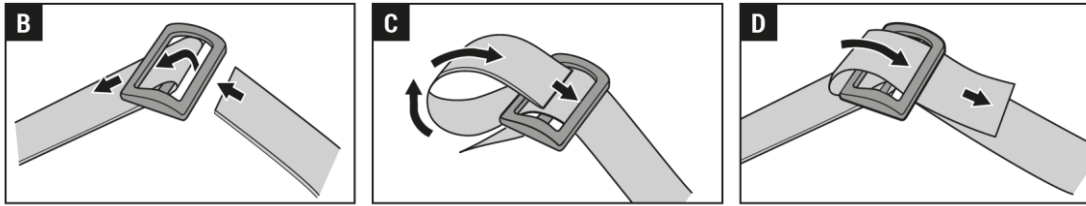
Operation Guide:



1. Car engine needs to be running. First make sure the switch at the side of the cooler and warmer is in STOP state.
2. Insert the connector of the DC power cord into the DC 12V socket on the panel of the product.
3. Insert the plug of the DC power cord into the cigarette lighter in the car.
4. Cooling: set the power switch at the position of COLD. The green indicator will be on indicating the unit is in cooling mode.
5. Heating: set the switch at the position of HOT. The red indicator will be on indicating the unit is in heating mode.

Attaching the carrying strap





You can attach the carrying strap to make it easier to transport.

1. Pass the release end of the strap through the strap holder on the front and back of the device (see Fig. A).
2. Thread the loose end of the strap through the belt adjuster that this fits well (see Fig. B-D)

Cleaning Tips:

1. Turn off the Cooler and Warmer and unplug it.
2. Wipe the inside and outside surfaces with a soft damp cloth.
3. Do not wash the Cooler and Warmer directly in water.
4. Do not use abrasive cleaners.

Warning and Notice:

For correct operation, please read carefully below instructions before using the appliance. Misuse of the appliance may cause harm and injuries and break the appliance.

1. Prevent the fans from being stuck. The fans being stuck will heat the engine and cause fire. Do not place anything over the fan.
2. Please prevent poor contacts of the socket from heating up, causing broken or even burning.
3. Keep the appliance away from the flammable items and dampness.
4. Do not switch the function from cool to warm directly. Switch to Stop for 30 minutes then change.
8. Do not expose to rain.
9. Children should be supervised to ensure that they do not play with the appliance.
10. This appliance is not intended for use by persons (including children) with reduced physical, sensory, mental capabilities, or lack of experience and knowledge, unless they have been given supervision or instruction concerning use of the appliance by a person responsible for their safety.



MADE IN CHINA