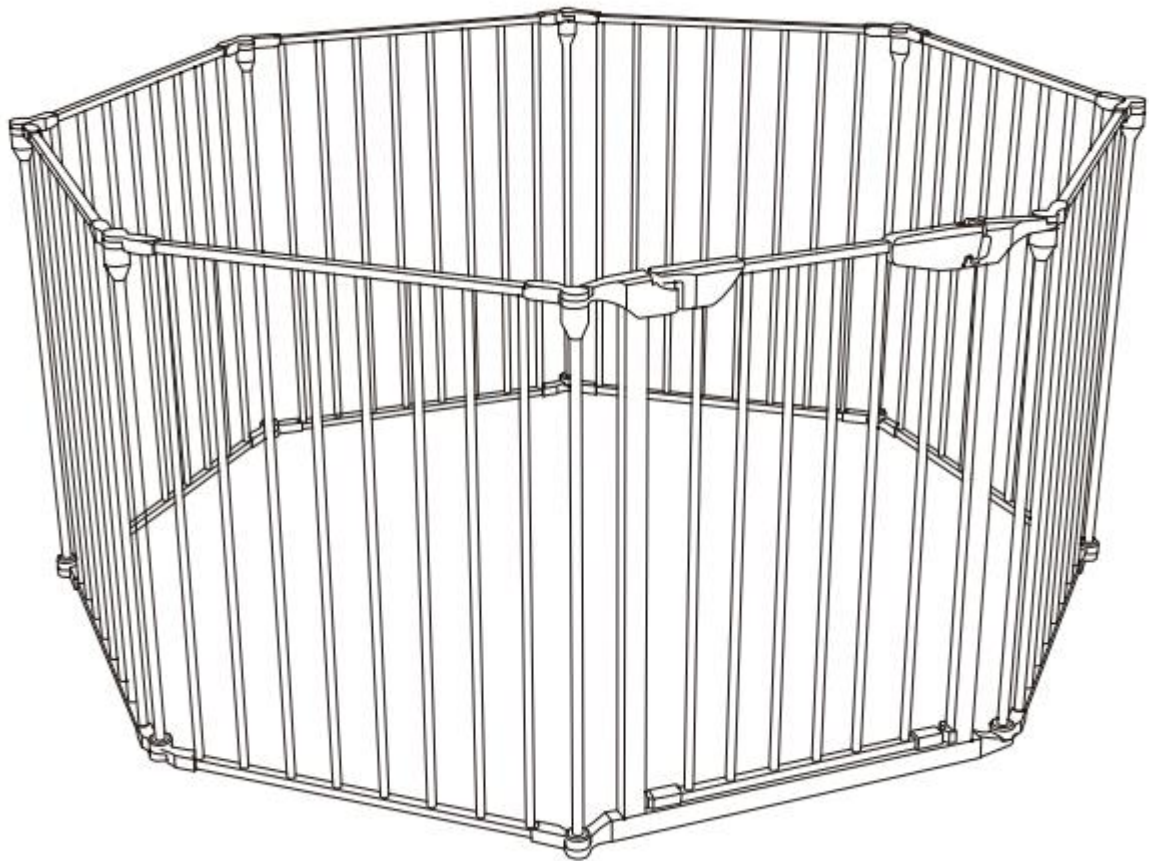
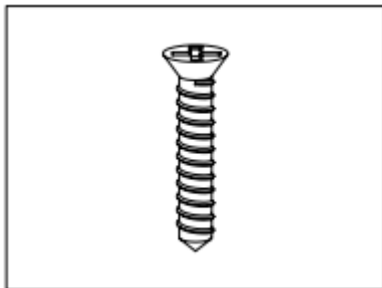
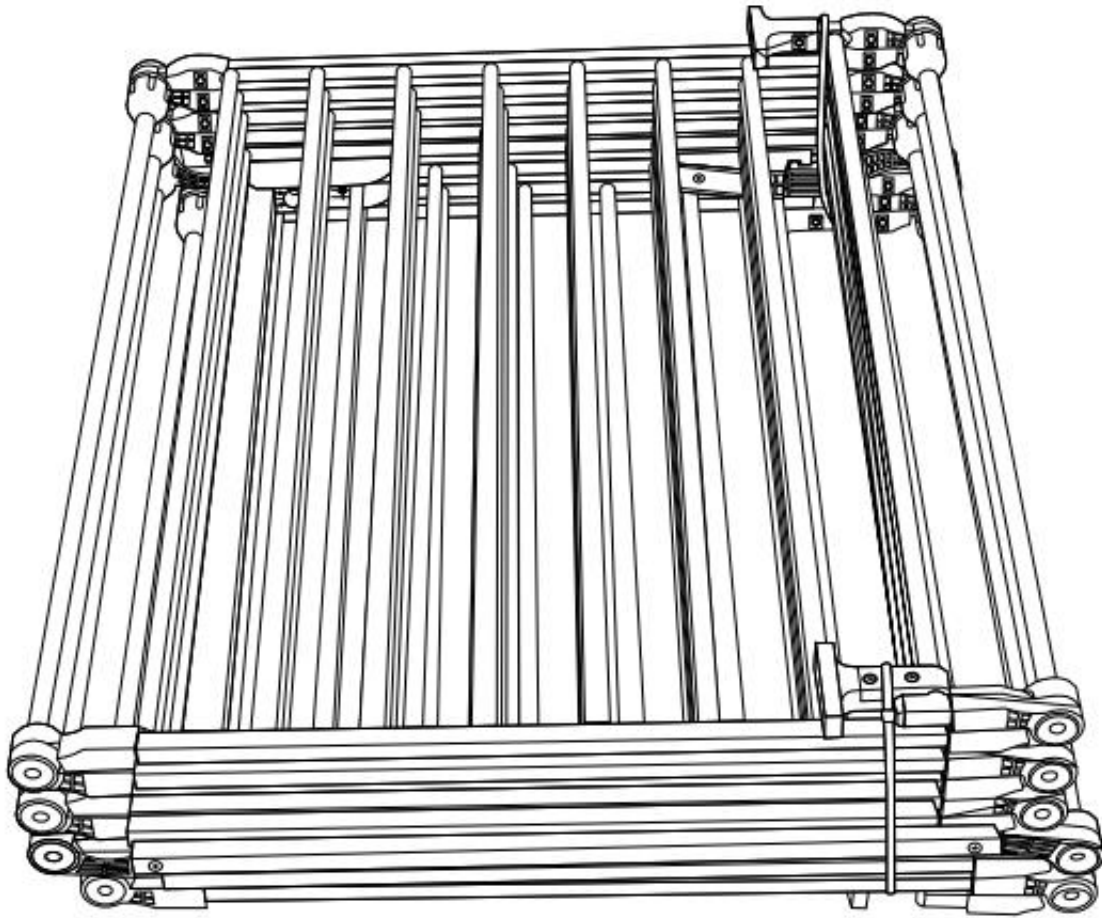


anko

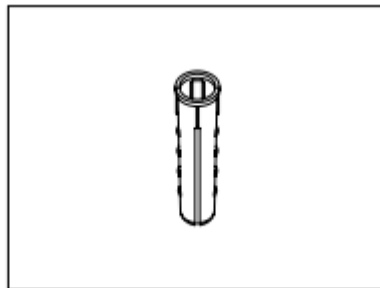
PET 2 IN 1 GATE ENCLOSURE



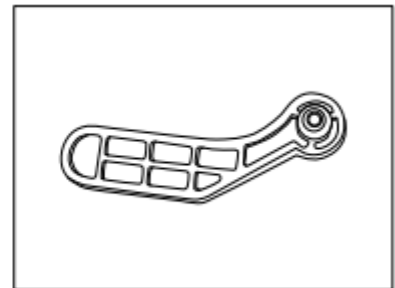
Instructions



Screws x 8pcs



Masonry Plugs x 8pcs

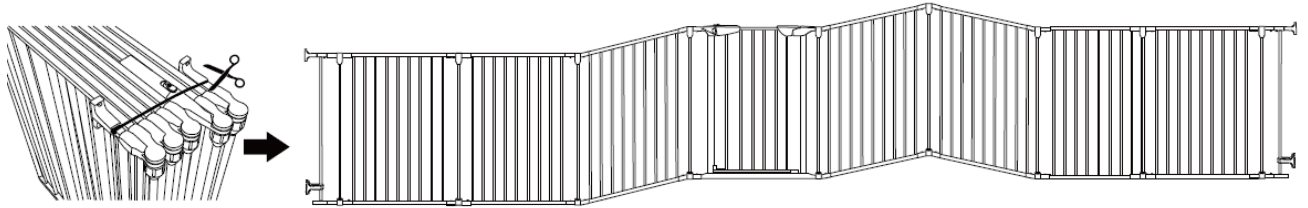


Plastic Key x 1pc

To use as barrier gate

Step 1.

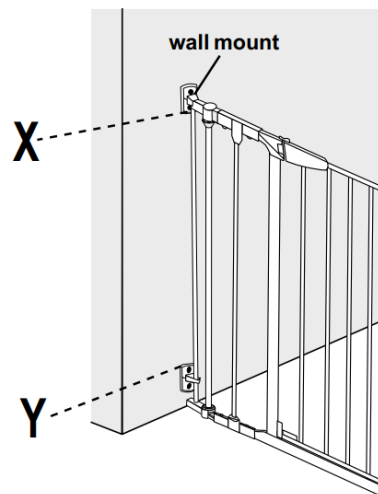
Cut tie and unfold barrier panels and gate panel.



Step 2.

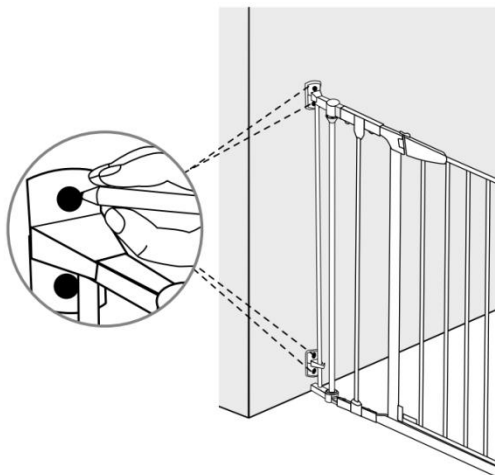
Position in desired location with wall mounts flat against the wall. Make sure that the gate is mounted firmly and evenly in vertical position.

Keep maximum distance between fittings X and Y.
Position Y as close to the ground as possible.
If mounting above skirting boards install Y directly above and touching the top edge of skirting board.



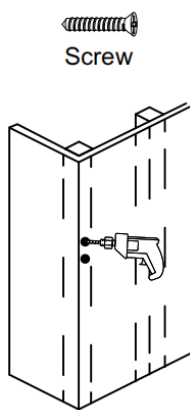
Step 3.

Use pencil to mark screw holes position.



Step 4.

Remove barrier gate and drill pilot holes for screws.

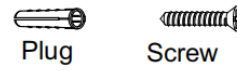


Screw

FOR TIMBER

● = hole
2mm

NOTE: For plaster/gyprock surface, locate the timber beam or stud behind and mount in this location (mounting on plaster/gyprock alone is not strong enough and not safe).



Plug

Screw

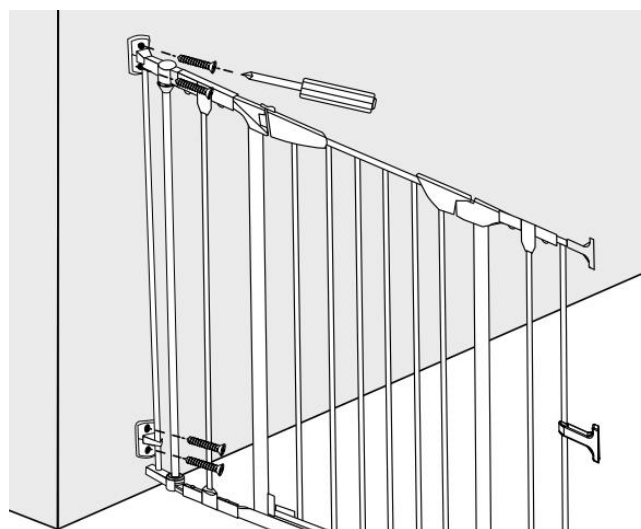
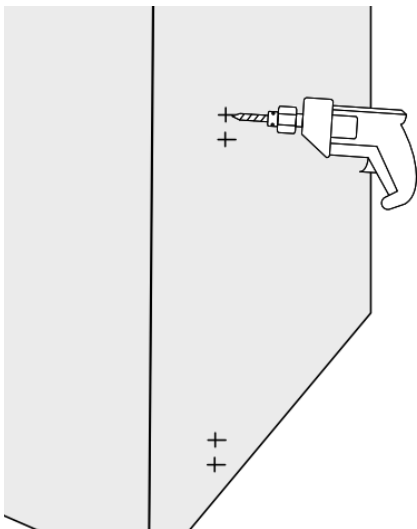
FOR BRICK

● = hole
5.5mm

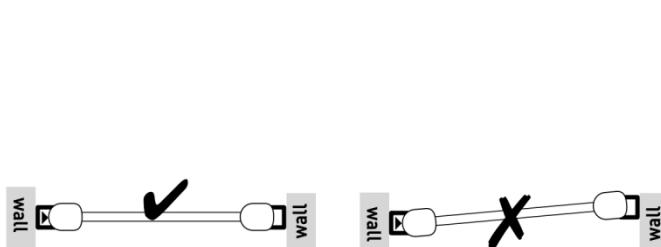
NOTE: For brick use plugs

Step 5.

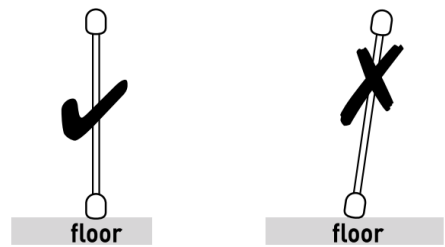
Reposition barrier gate and drill screws into place.



Make sure that the gate is mounted firmly and evenly in vertical position.



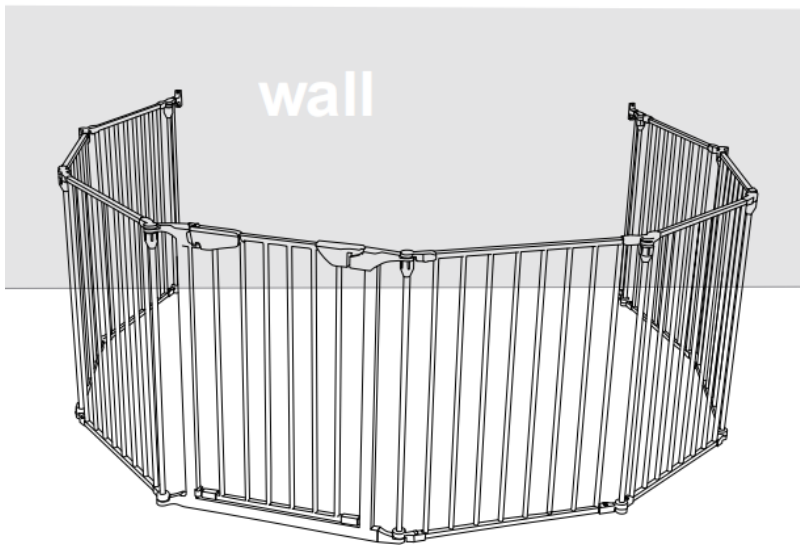
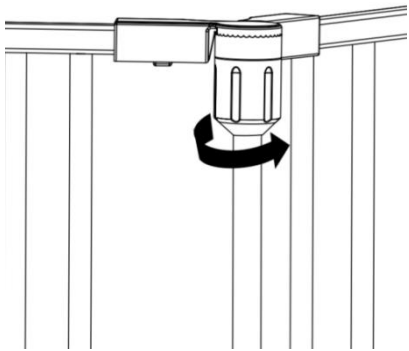
Top view of the gate



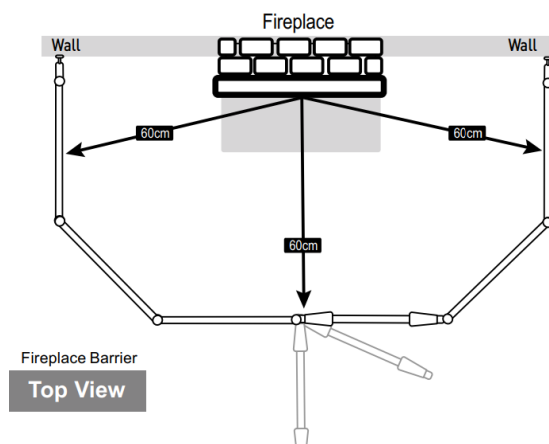
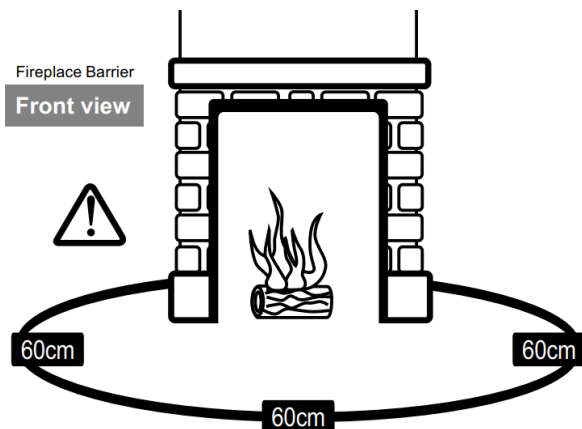
Side view of the gate

Step 6.

Tighten each tension knob to secure the position.



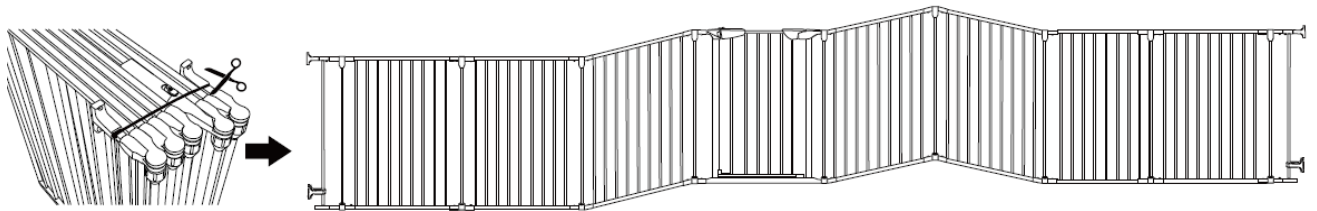
Caution: If using as a fireplace barrier, ensure fireplace barrier is installed at least 60cm from fire source.



To use as playpen

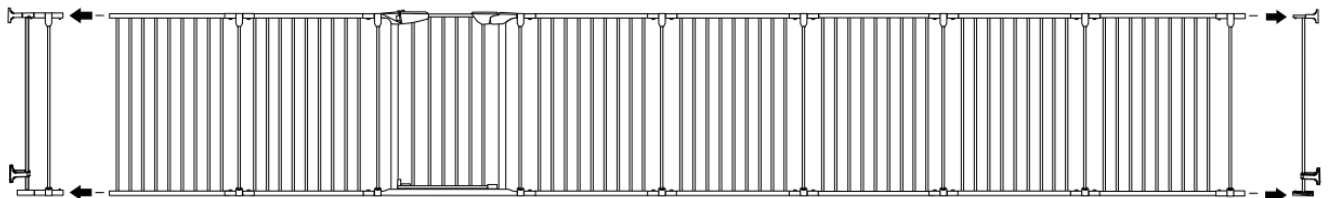
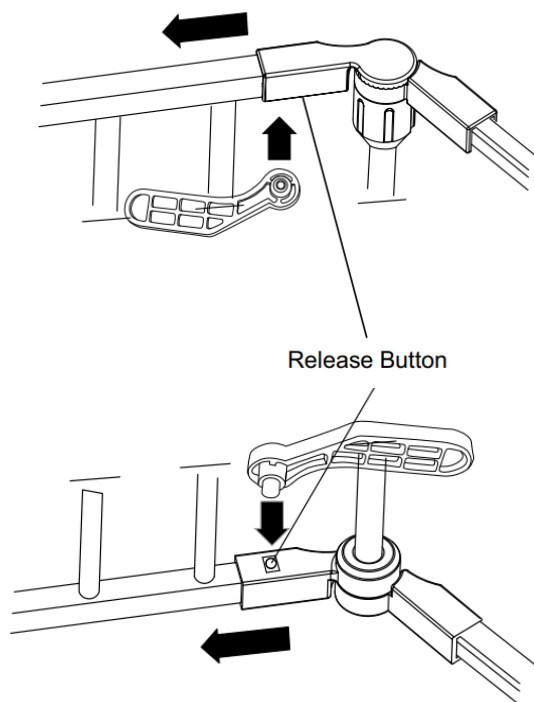
Step 1.

Cut tie and unfold barrier panels and gate panel.



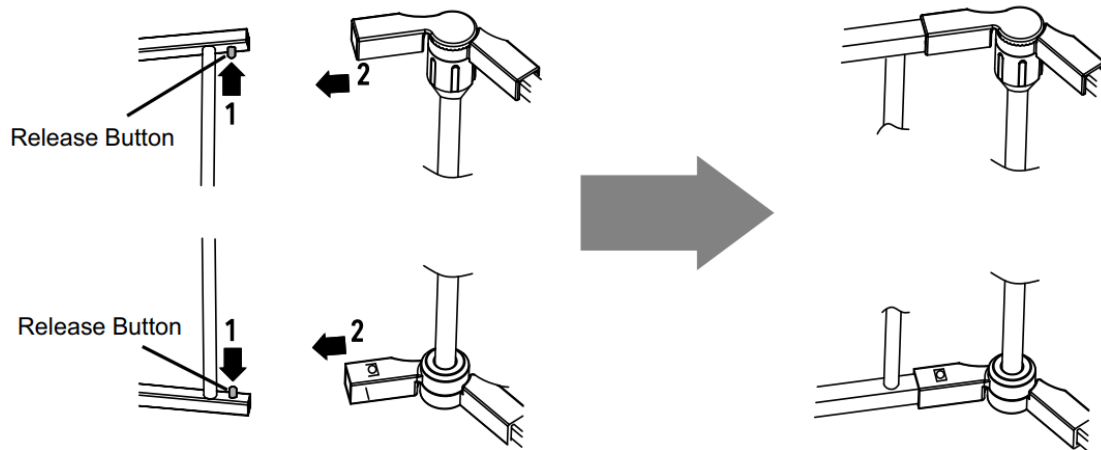
Step 2.

Use plastic key to depress the release button and pull the panel at the same time. Then Remove wall mounts from the end of barrier panel. Please refer to below image.

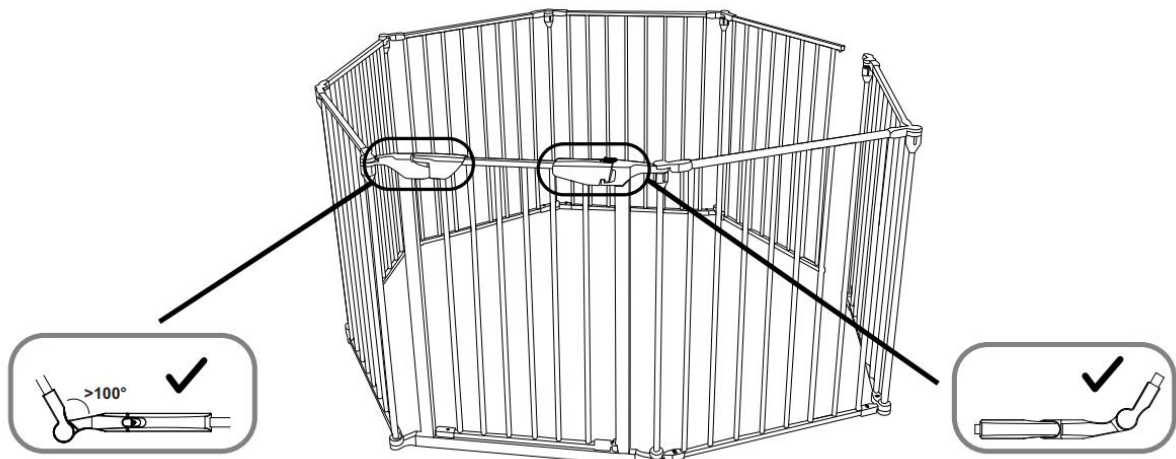


Step 3.

Push release button and click into place.

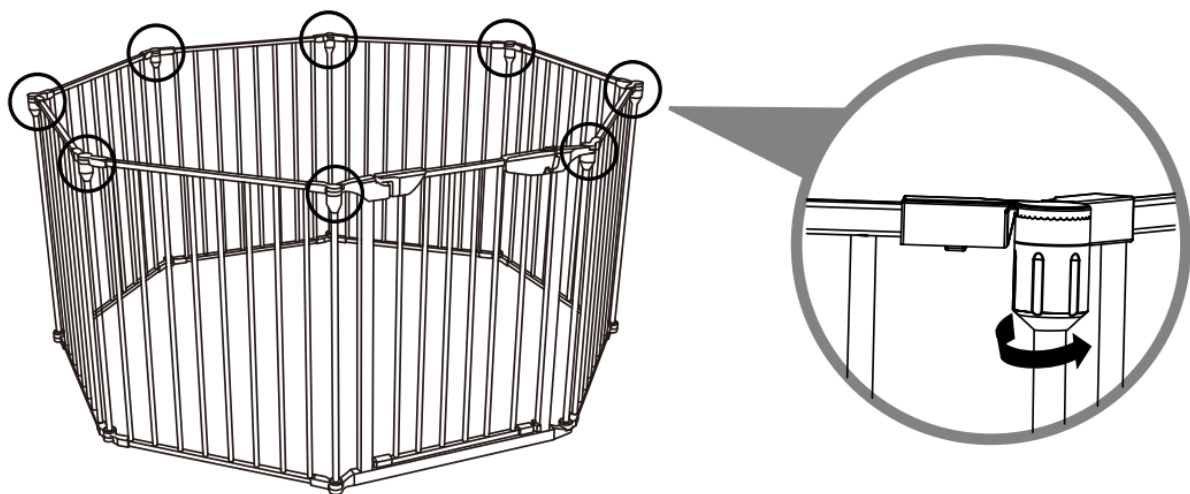


The open angle should be larger than 100°



Step 5.

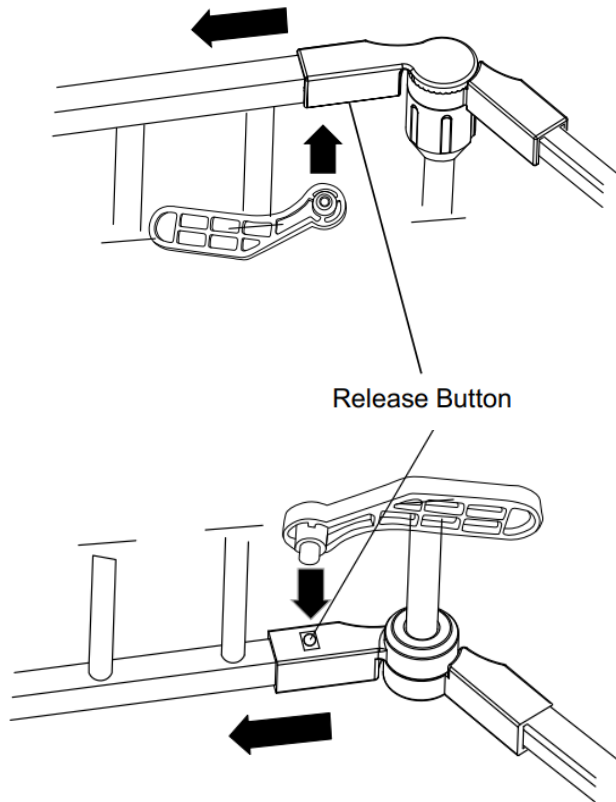
Tighten each Tension knob after positioning so the playpen is secure. Check the tension before use.



To remove or add panels

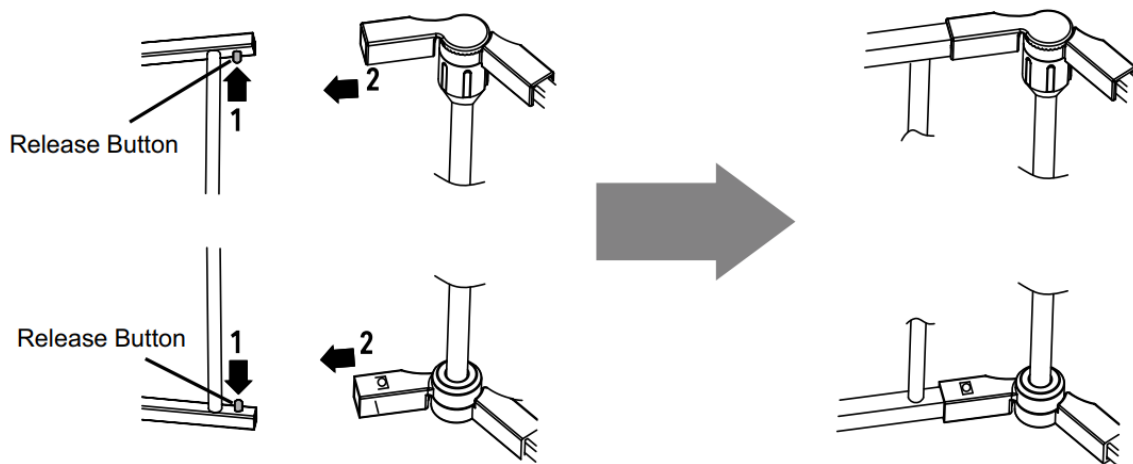
1. To remove panels or wall mounts:

Use a plastic key to depress the release button and pull the panel at the same time.



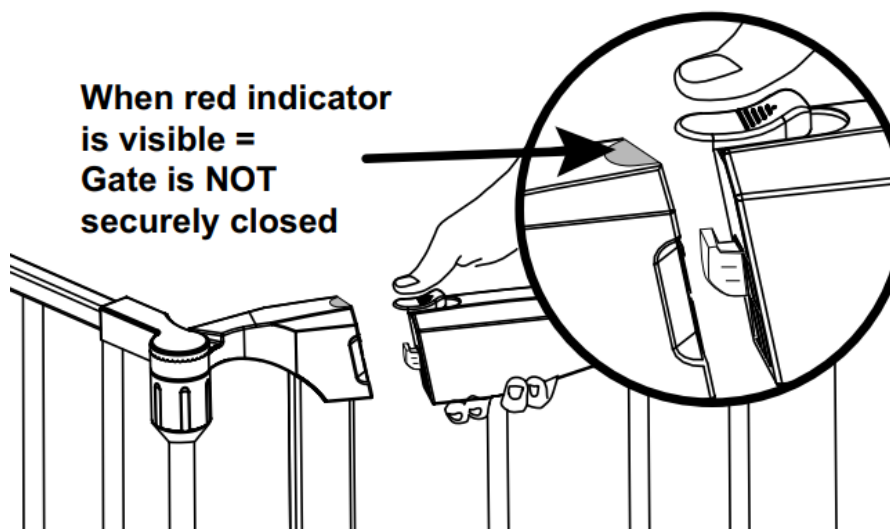
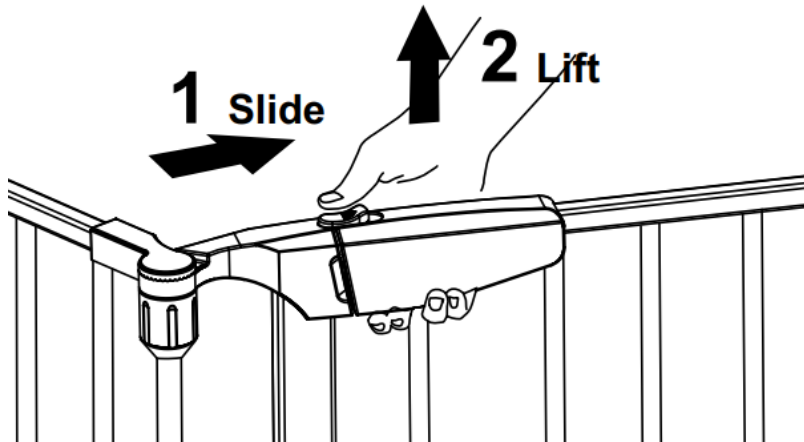
2. To add panels:

Push release button and click into place.

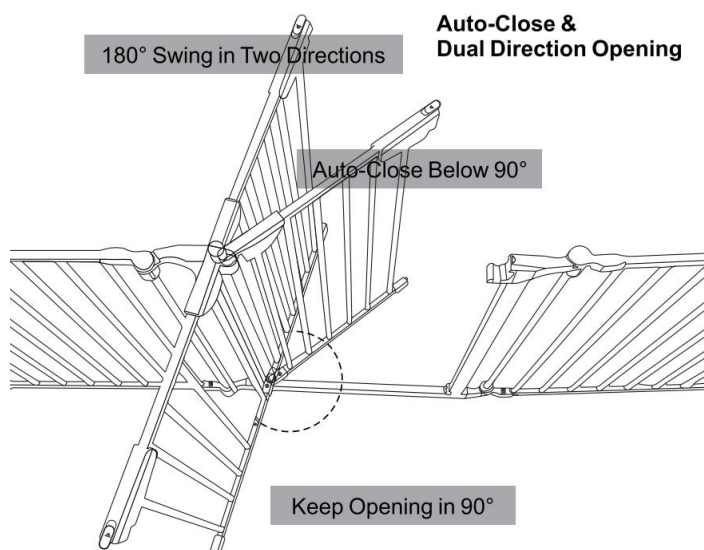


Gate operation

1. Slide the release switch and lift gate panel.



3. The door is movable 180° in both directions. When equal to 90°, the door will keep open. When below 90°, the door will be auto-close.



WARNING:

This enclosure is for pet use only.

Install the enclosure securely and inspect the components are tight regularly.

Do not place the enclosure close to an open fire or other heat source.

For your pet's safety, inspect regularly and remove if damaged.

MAINTENANCE

Clean the product with damp fabric.