



WARNING: DO NOT PUT FOREIGN MATTER INTO THE PRODUCT. DO NOT USE THE PRODUCT WHILE CHARGING. INSTALL BATTERIES TO CORRECT POLARITY. DO NOT USE DIFFERENT TYPES OF BATTERIES. INSTALLATION BY ADULT REQUIRED. DISPOSE OF BATTERIES RESPONSIBLY. DO NOT DISPOSE OF IN FIRE. SMALL PARTS. KEEP AWAY FROM CHILDREN UNDER 3 YEARS.

MADE IN CHINA

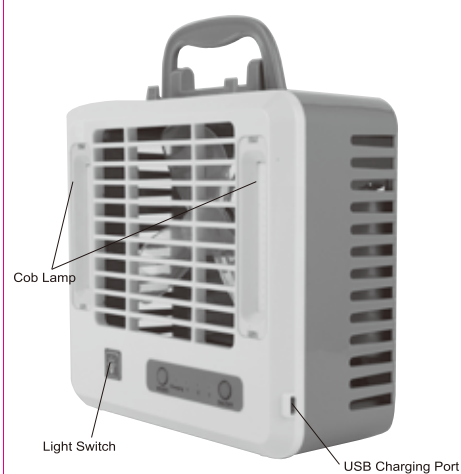
CUSTOMER SERVICE:

KMART AU: 1800 124 125
KMART NZ: 0800 945 995
TARGET AU: 1300 753 567

USER MANUAL

RECHARGEABLE EVAPORATIVE COOLER
 KEY CODE: 43408931

IMPORTANT SAFETY INSTRUCTIONS

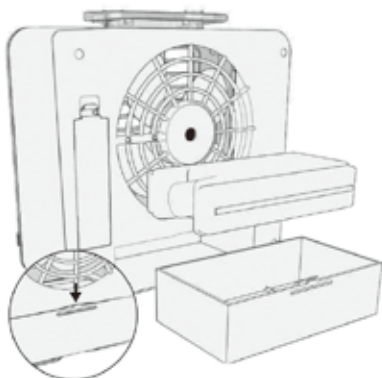


Step 1

Shake the coolant pack before freezing. Place flat in the freezer. When frozen, remove from freezer and place into coolant tray. Insert tray into cooler and close firmly.

Please press down the tray buckle (as the lower left of the following figure shown) and pull out coolant tray.

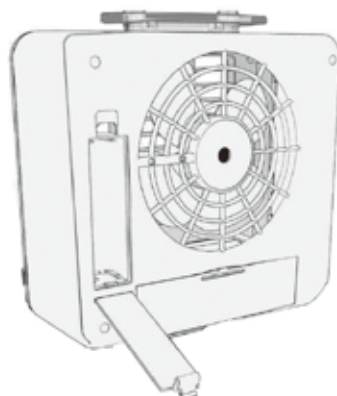
If the coolant pack be freezed too long time, it may bulge, so please leave it at room temperature until the bulge disappears before use.



Step 2

Insert the 1200mAh Li-ion rechargeable battery (included) according to the symbol of positive and negative anodes.

DISPOSE OF OLD BATTERIES AT A BATTERY RECYCLE CENTRE



Step 3

When the battery power is too low (or affects the work of fan), need to charge the product. Please insert the USB cable (included), and connect a power supply (DC 5V = 0.5~1A).

Red Light: Charging.
 Green Light: Full Charge.

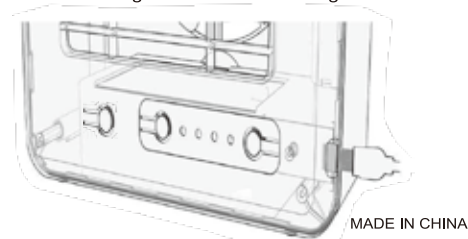
Operation

Press the ON/OFF (Red) Button to turn the cooler on. (low speed)

Press the MODE (Blue) Button to cycle through speeds. (high, medium, low)

Press the ON/OFF (Red) Button to turn the cooler off.

Press the light switch to turn the light on/off.



MADE IN CHINA