

Assembly Instructions















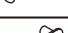




43409983 LINEAR CHEST OF DRAWERS

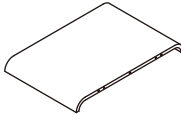
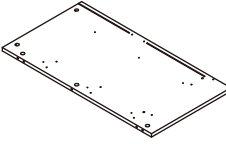
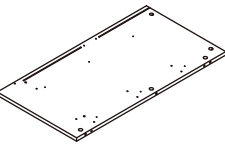
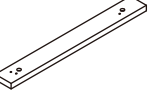
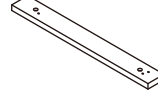
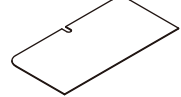
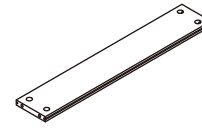
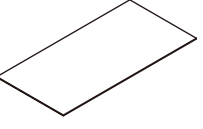
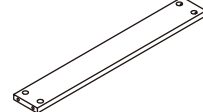
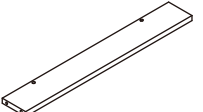
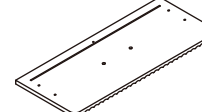
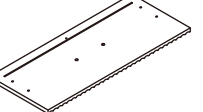
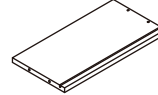
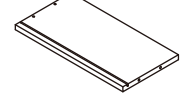
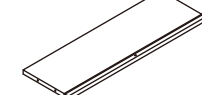


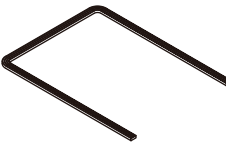
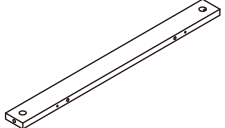
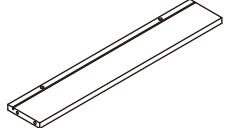
CARE INSTRUCTION: Wipe clean with a soft dry or damp cloth. Keep away from water and direct sunlight. For indoor and domestic use. Check and tighten all parts regularly.

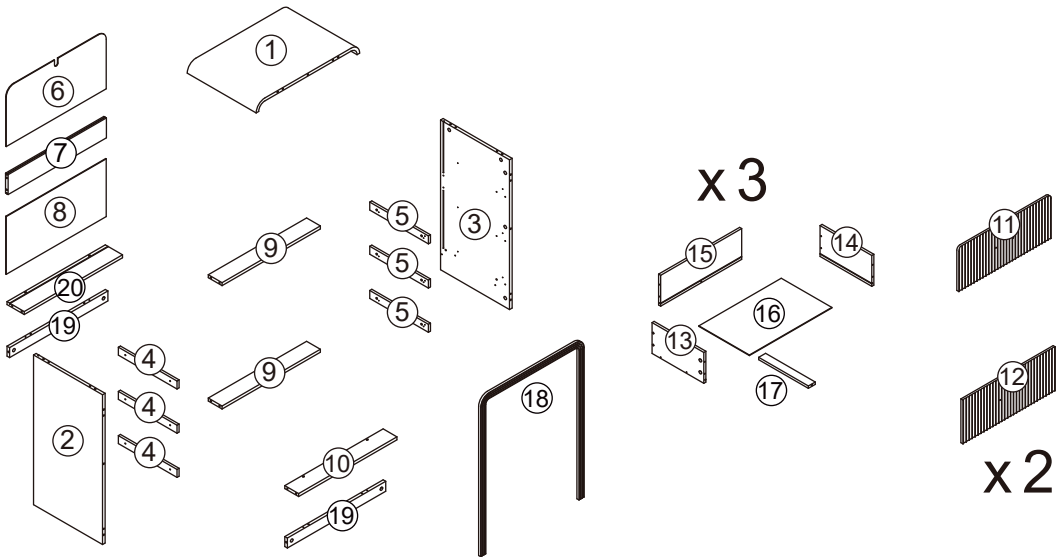
WARNINGS: Do not stand or sit on the unit. Do not lean on the product. Do not drag the product. Use only on a flat surface. Do not use until all screws, bolts and knobs are firmly secured. This product contains small parts and sharp points, keep away from children and babies. Adult assembly required. Failure to follow these warnings could result in serious injury.

MAXIMUM TOTAL LOADING WEIGHT: 15KGS FOR TOP PANEL, 7KGS FOR EACH DRAWER, 36KGS IN TOTAL.

Hardware list

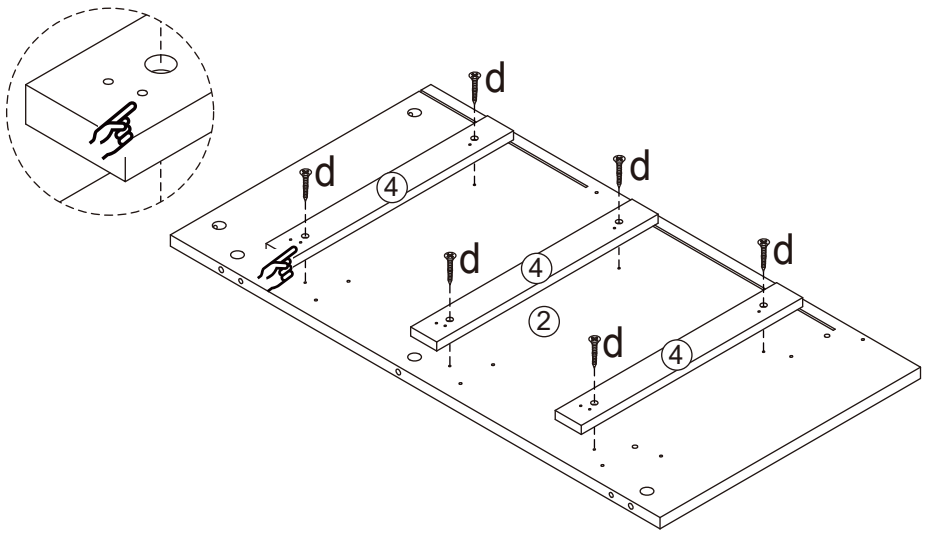
	a		48PCS		j	4X12mm	1PC
	b		48PCS		k	4X30mm	1PC
	c	6X30mm	18PCS		l		1PC
	d	4X25mm	12PCS		m		1PC
	e	4X30mm	19PCS		n		3PCS
	f	3X12mm	30PCS		o		3PCS
	g		8PCS		p		3PCS
	h	3X14mm	8PCS		q		3PCS
	i		3PCS		r	4X16mm	6PCS
					s		2PCS

			
① 1 PC	② 1 PC	③ 1 PC	④ 3 PCS
			
⑤ 3 PCS	⑥ 1 PC	⑦ 1 PC	⑧ 1 PC
			
⑨ 2 PCS	⑩ 1 PC	⑪ 1 PC	⑫ 2 PCS
			
⑬ 3 PCS	⑭ 3 PCS	⑮ 3 PCS	⑯ 3 PCS
			
⑰ 3 PCS	⑱ 1 PC	⑲ 2 PCS	⑳ 1 PC

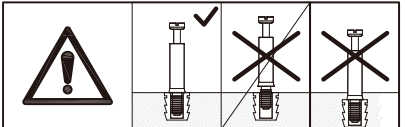
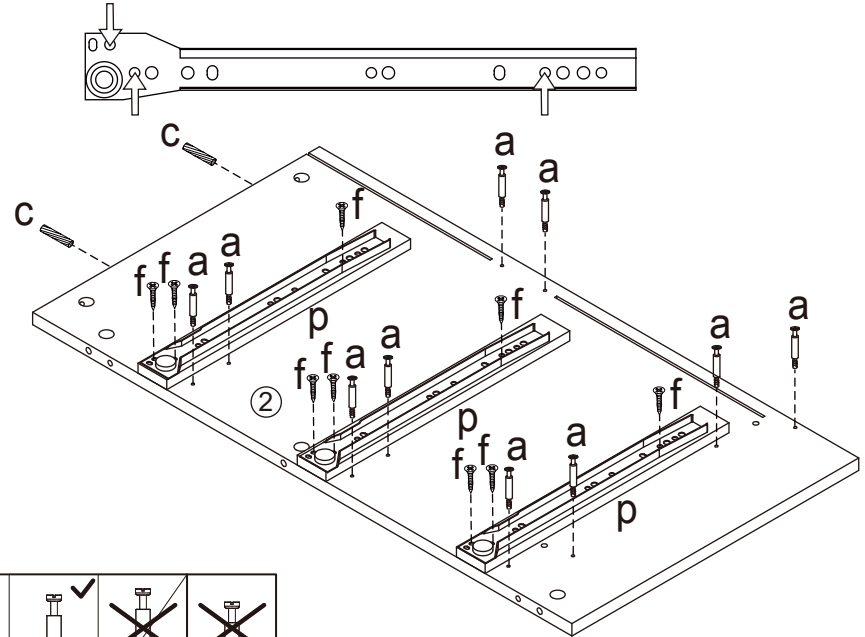


DO NOT TIGHTEN THE SCREWS UNTIL THE PRODUCT IS FULLY ASSEMBLED.

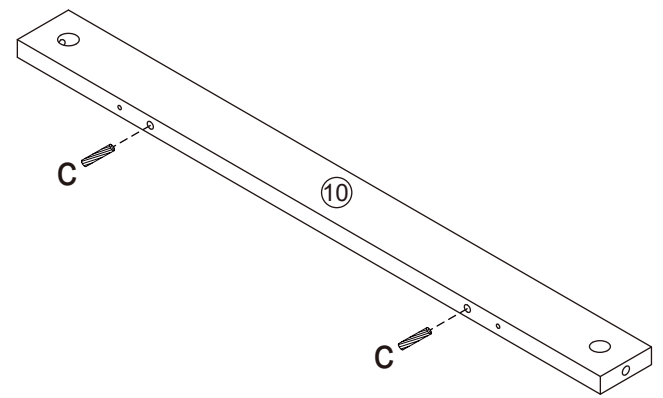
STEP 1  X6



STEP 2  X10  X2  X9  X3

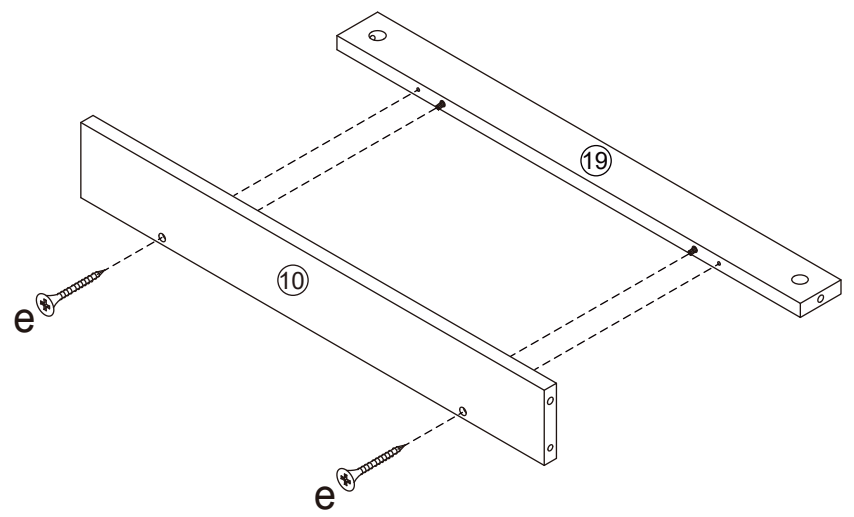


STEP 3  X4



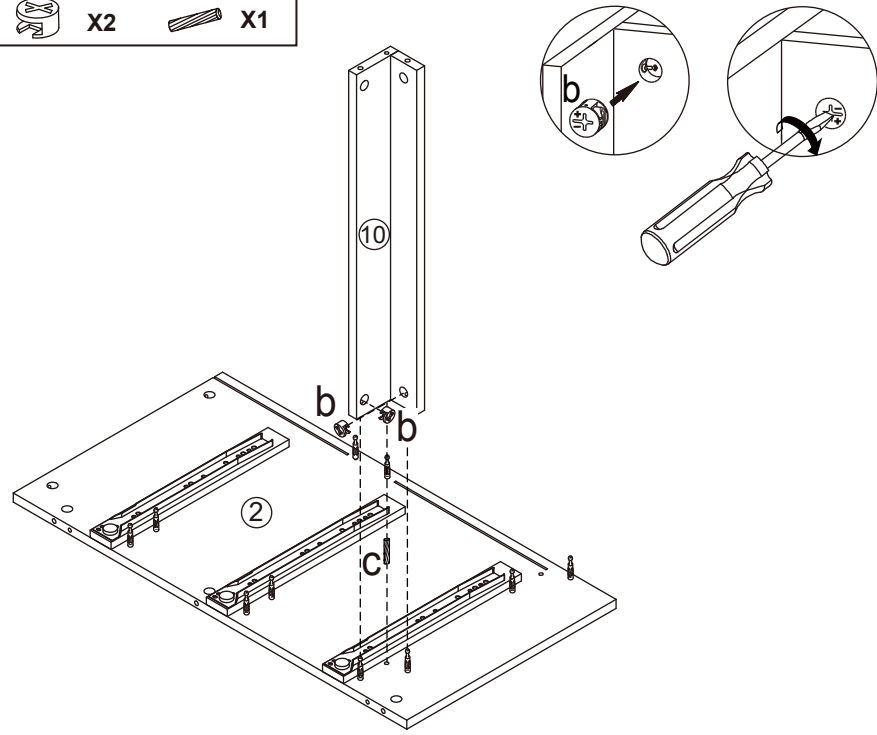
x2

STEP 4  X2



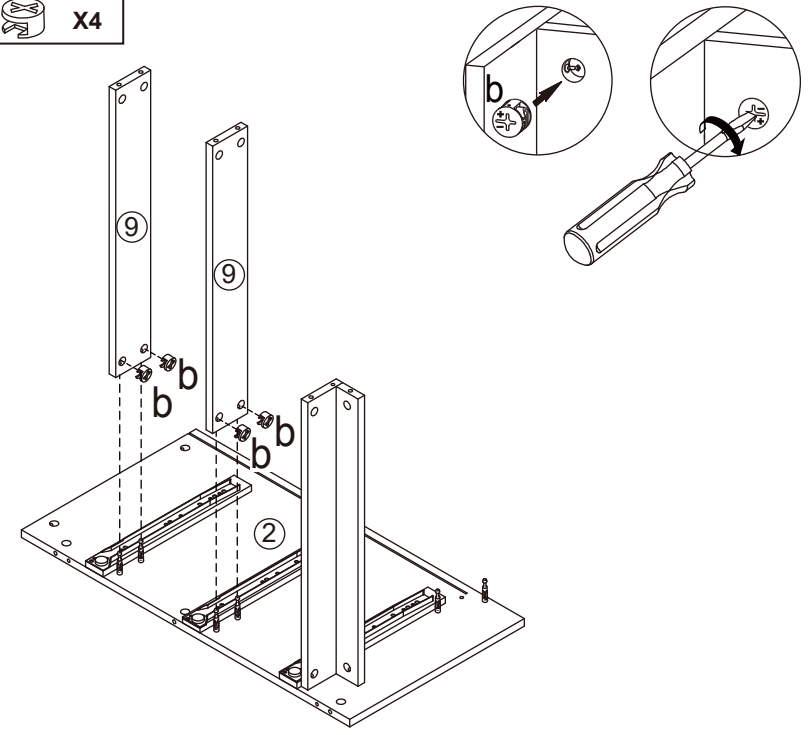
STEP 5

 X2  X1



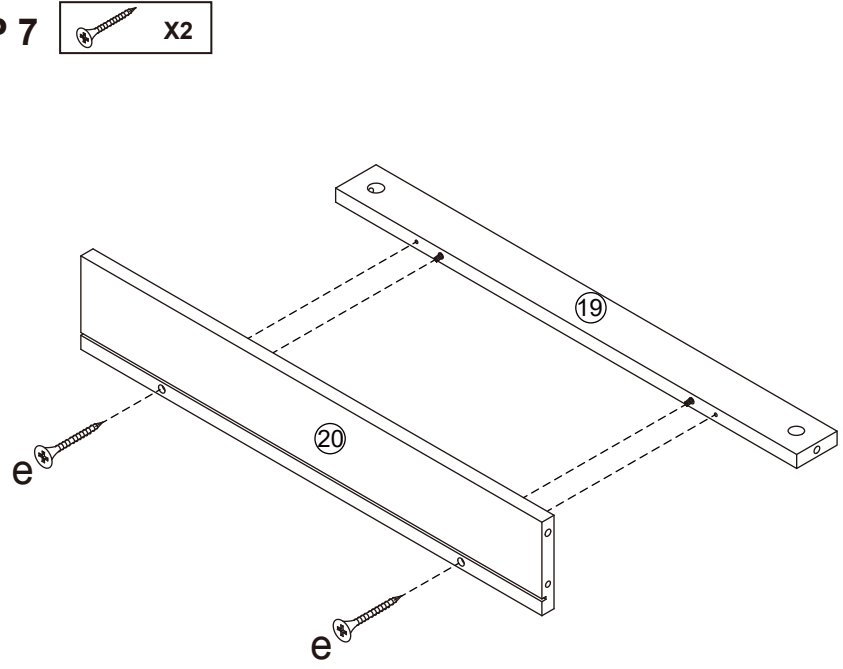
STEP 6

 X4



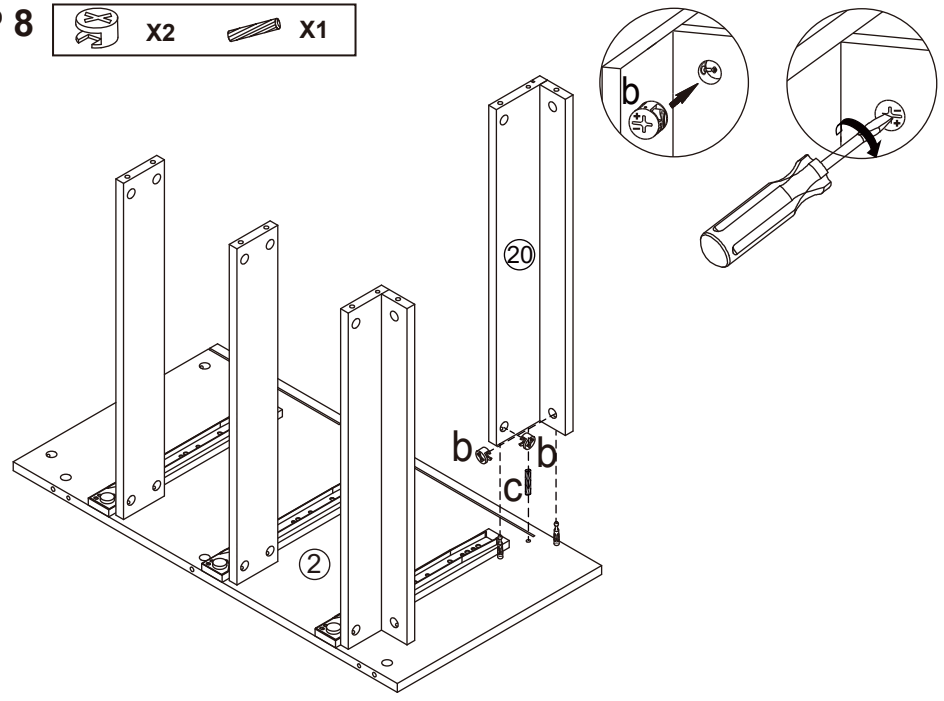
STEP 7

 X2

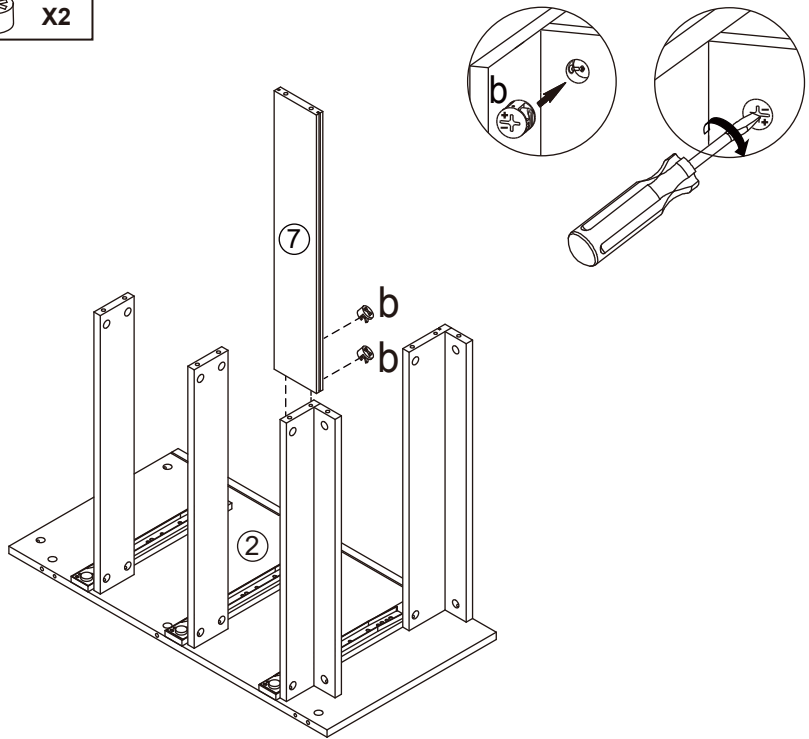


STEP 8

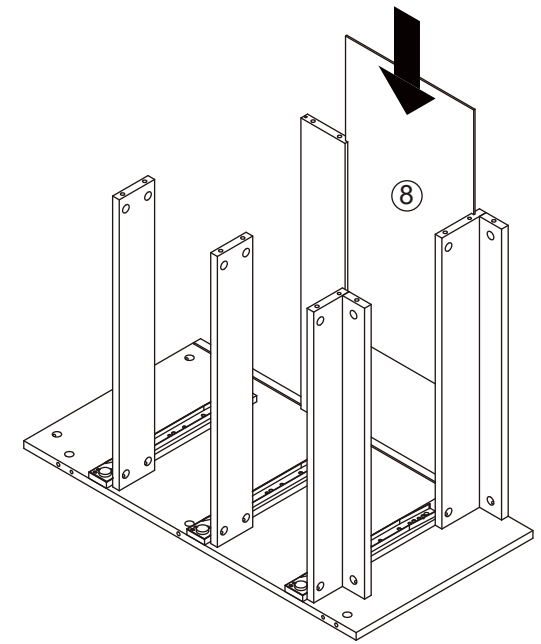
 X2  X1



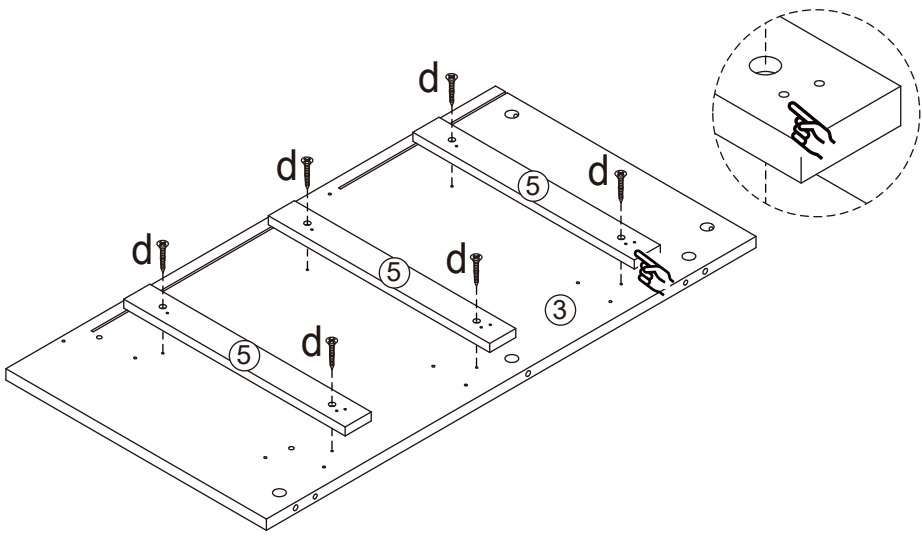
STEP 9  X2



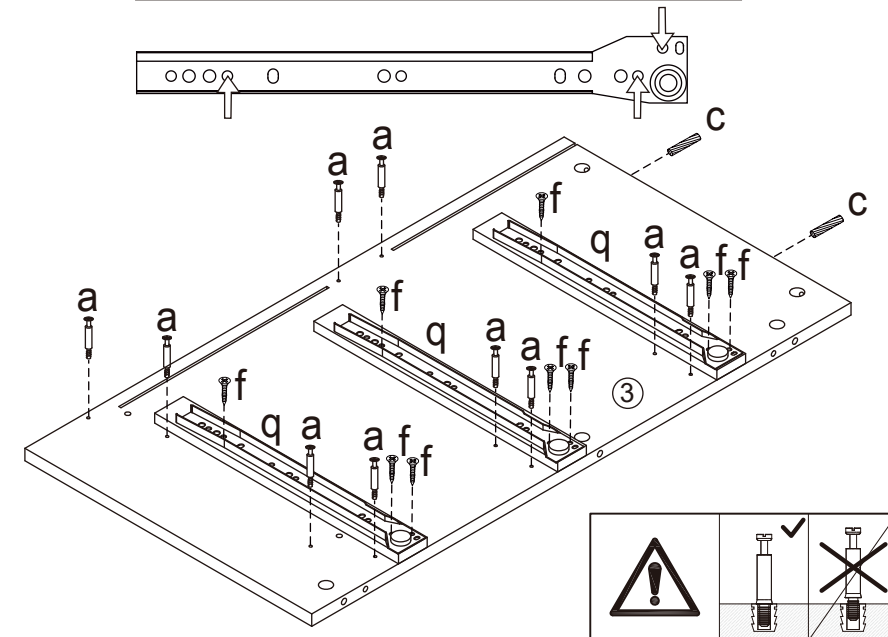
STEP 10





STEP 11  X6

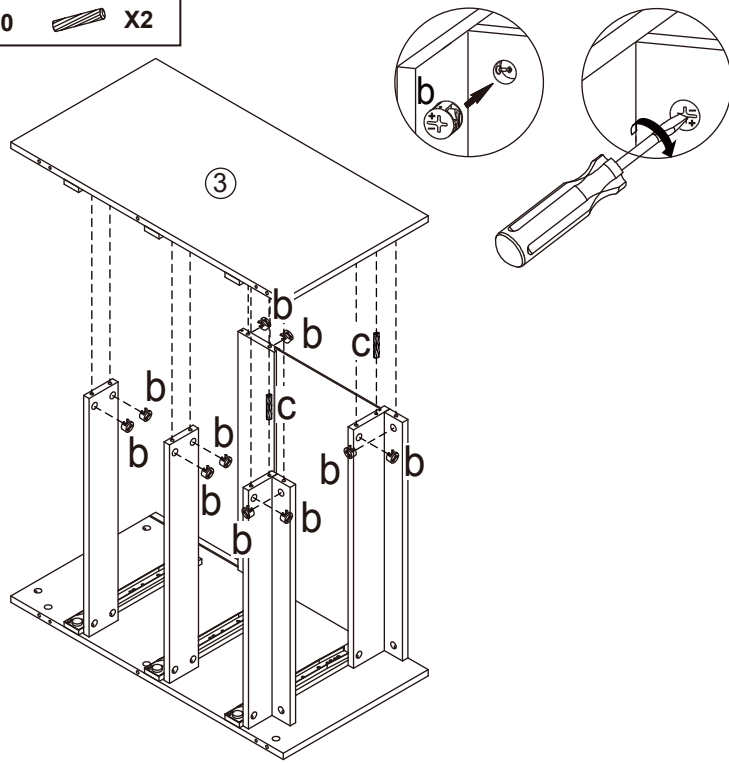


STEP 12  X10  X2  X9  X3

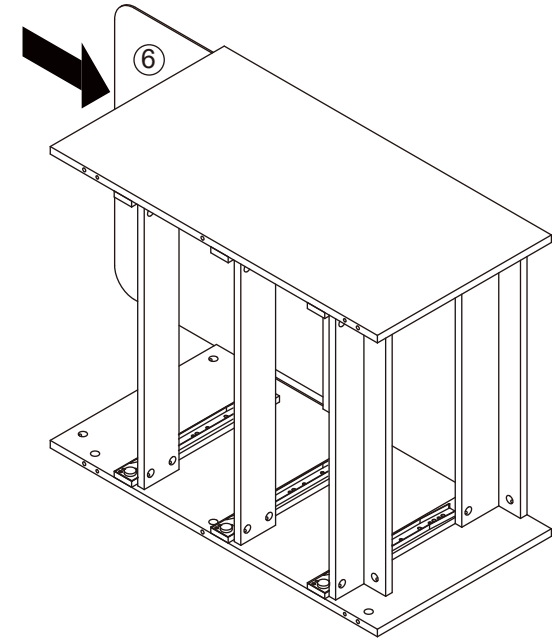


STEP 13

 X10  X2

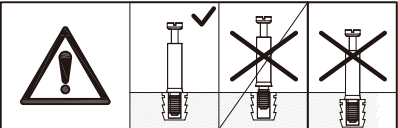
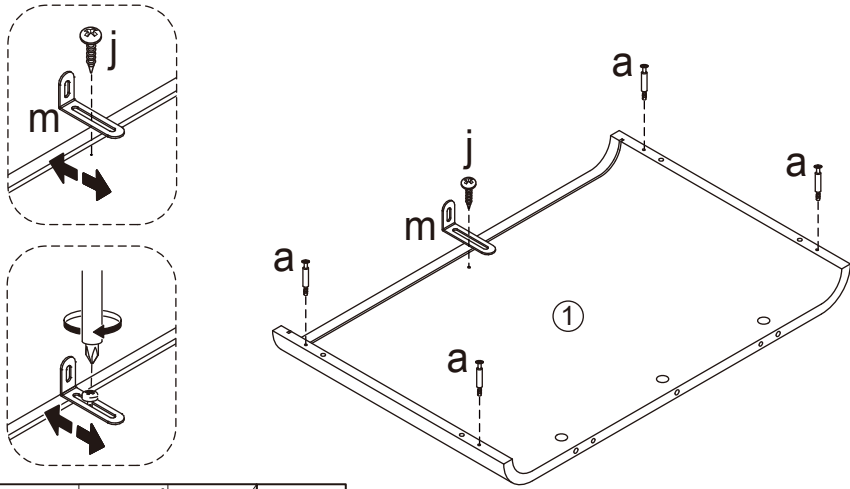


STEP 14



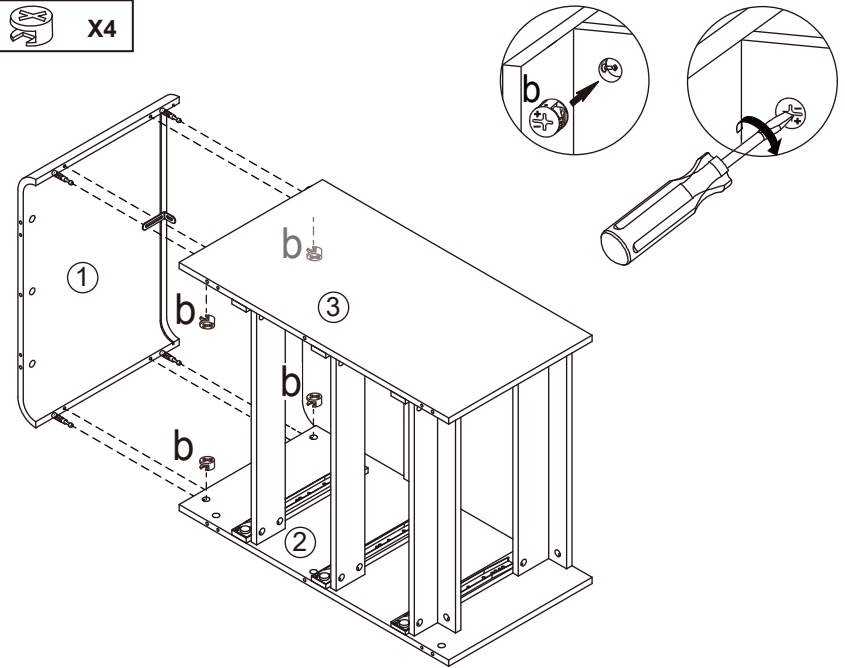
STEP 15

 X4  X1  X1

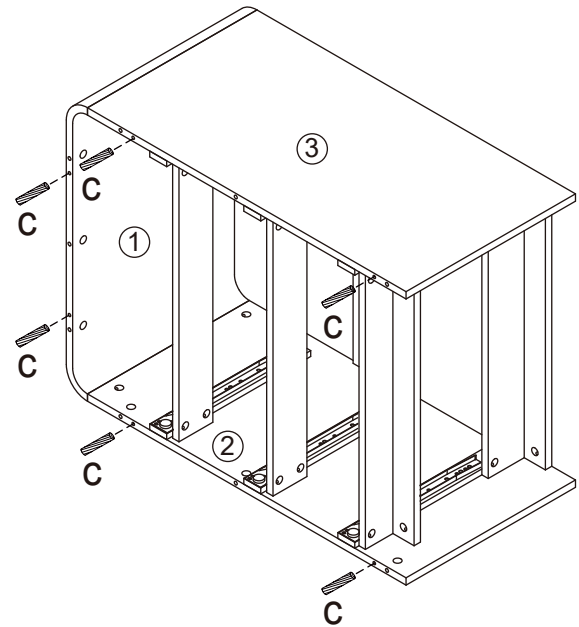


STEP 16

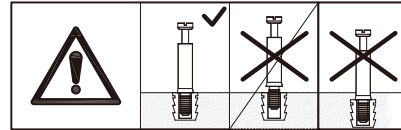
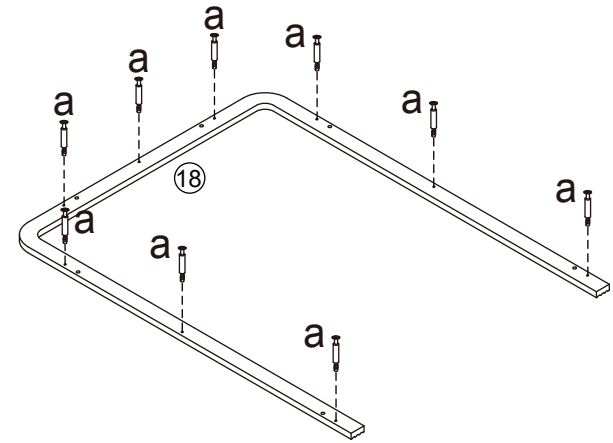
 X4



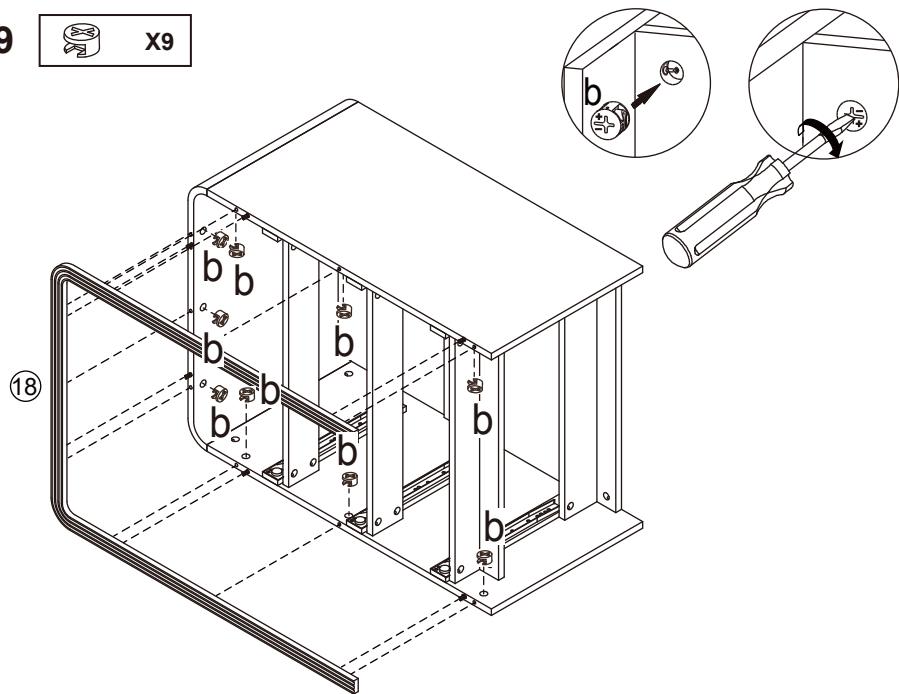
STEP 17  X6



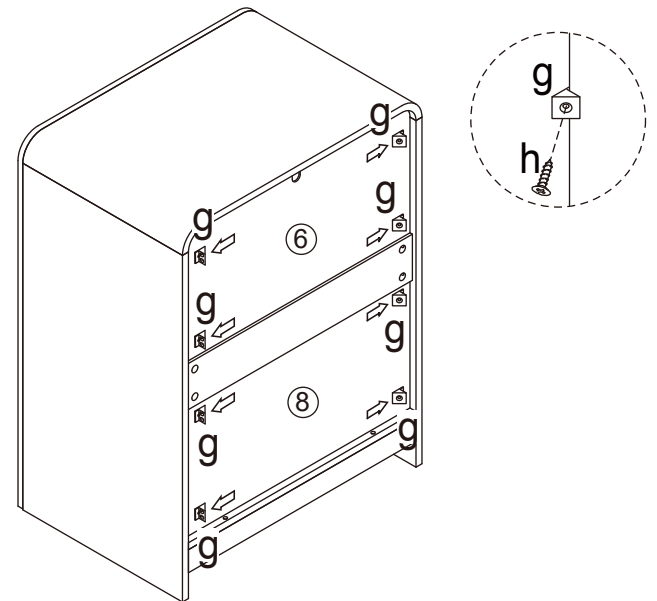
STEP 18  X9



STEP 19  X9



STEP 20  X8  X8



STEP 21



Warning:

- It is strongly recommended that this product is permanently fixed to the wall.
- Please seek professional advice if you are in doubt of what fixing device to use.
- Regularly check that anchors are securely maintained.
- Stability of tall items may be affected by thick pile carpet or uneven floors.
- Do not place unanchored televisions on cabinet.

Caution: for your safety when attaching the anchor fixings, please note the following:

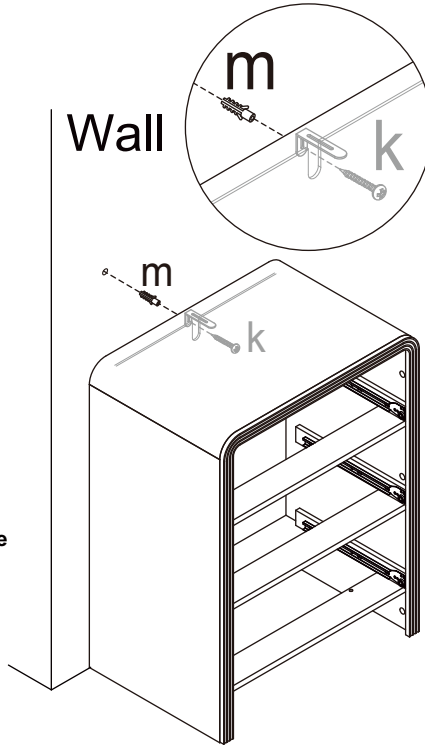
- Check any electrical wires or plumbing inside the wall before drilling any holes (if you are unsure please seek professional advice from a qualified tradesperson).



WARNING: PLEASE SECURE YOUR FURNITURE WITH THE SUPPLIED WALL FIXING. SCAN THE CODE FOR MORE INFORMATION.



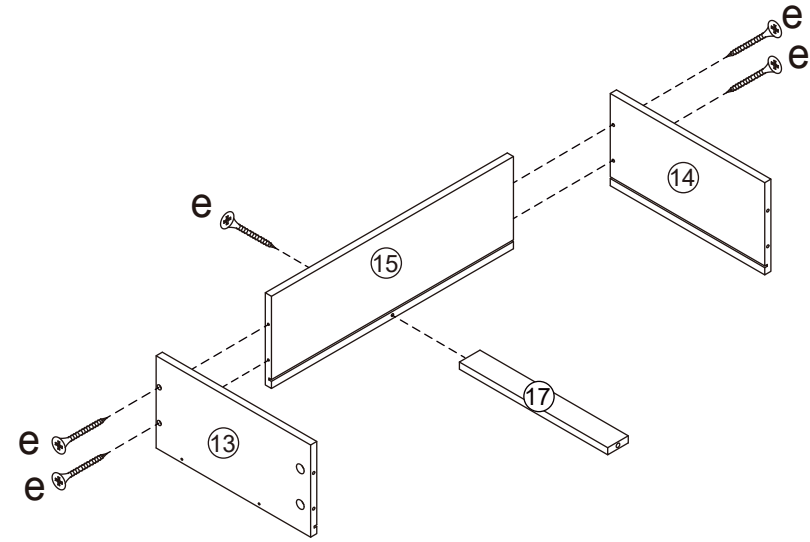
Wall



STEP 22

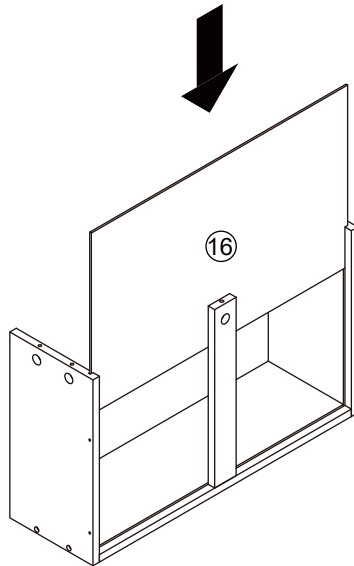


x 3



STEP 23

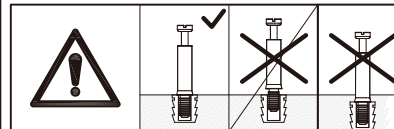
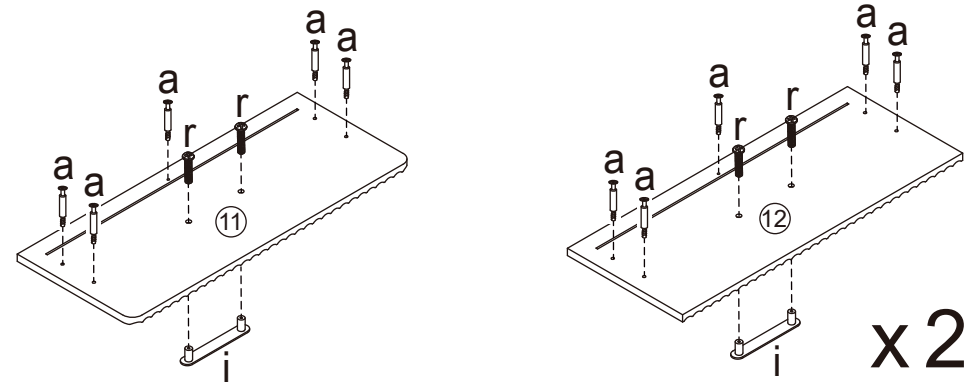
x 3



STEP 24

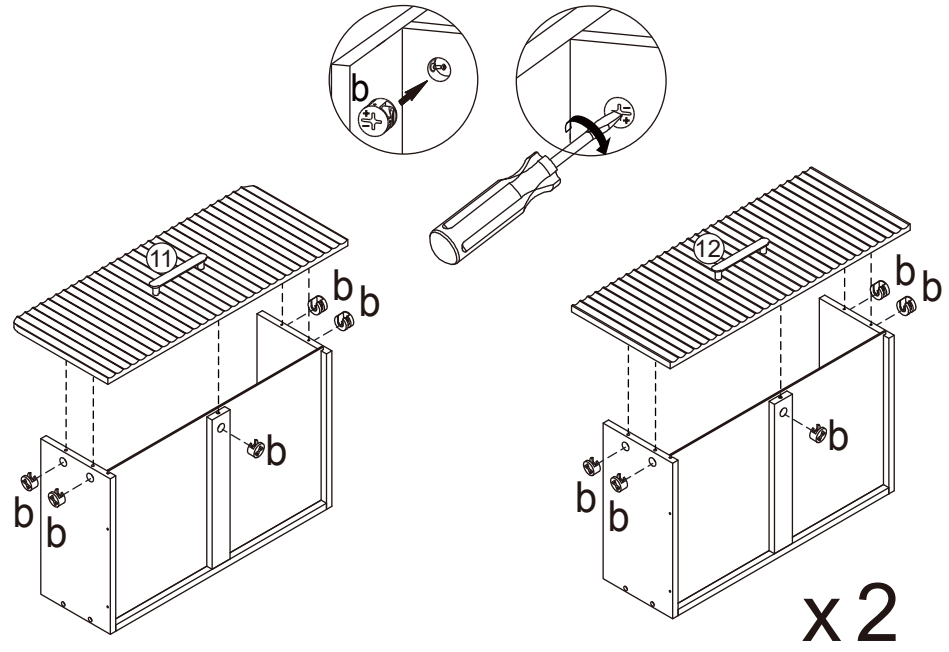


x 2



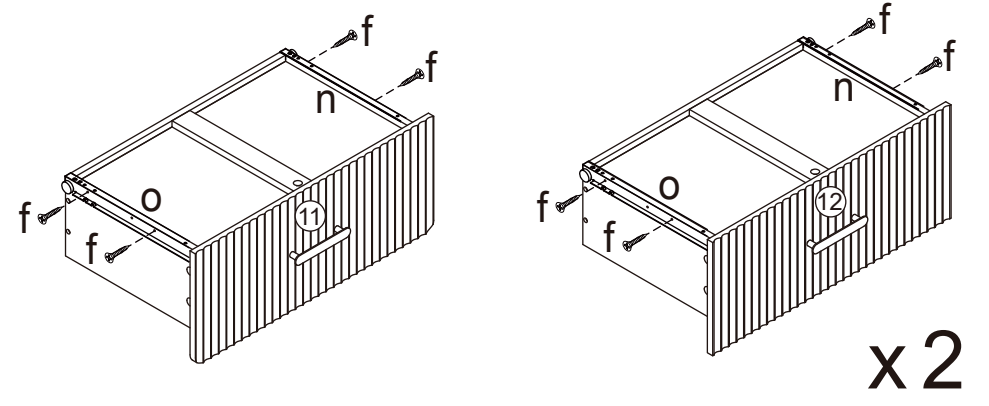
STEP 25

 X15

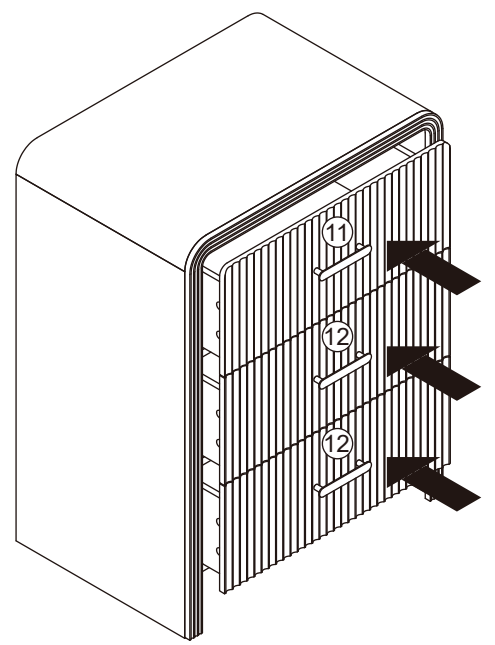


STEP 26

 X12  X3  X3



STEP 27



STEP 28

 X2

