

Assembly Instructions

43410705 TEXTURE CONSOLE

CARE INSTRUCTIONS:


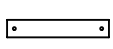









WIPE CLEAN WITH A DRY CLOTH. DO NOT USE ABRASIVE MATERIALS AND SOLVENTS. CHECK AND TIGHTEN ALL PARTS REGULARLY. PLEASE LAY FURNITURE ON THE CARPET TO AVOID ANY DIRTY OR DAMAGE ON THE TEXTURE DURING ASSEMBLY. KEEP AWAY FROM WATER AND DIRECT SUNLIGHT. STORE IN A DRY PLACE. FOR INDOOR AND DOMESTIC USE ONLY. A MILD ODOUR MAY BE PRESENT WHEN FIRST OPENING THIS CARTON. SIMPLY ALLOW TO AIR OUTSIDE AND THIS WILL FADE.

WARNING:

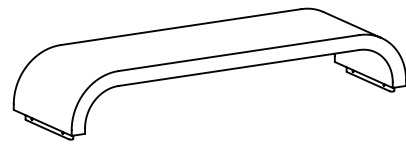
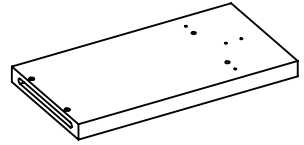
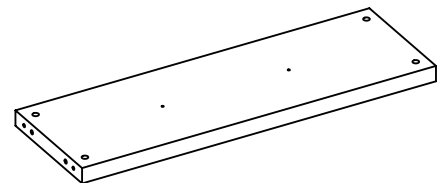
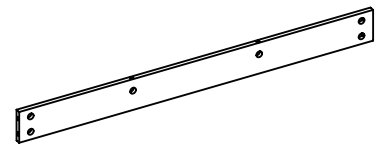
DO NOT STAND OR SIT ON THIS UNIT. DO NOT USE THIS UNIT UNLESS ALL BOLTS AND SCREWS ARE FIRMLY SECURED. DO NOT KNOCK OR DRAG THIS UNIT. USE ONLY ON A FLAT SURFACE. DO NOT PLACE HOT ITEMS SUCH AS COFFEE CUPS DIRECTLY ON THE SURFACE. ADULT ASSEMBLY REQUIRED. FAILURE TO FOLLOW THESE WARNINGS COULD RESULT IN SERIOUS INJURY. THIS PACKAGE CONTAINS SMALL PARTS AND SHARP POINTS. KEEP AWAY FROM CHILDREN AND BABIES.

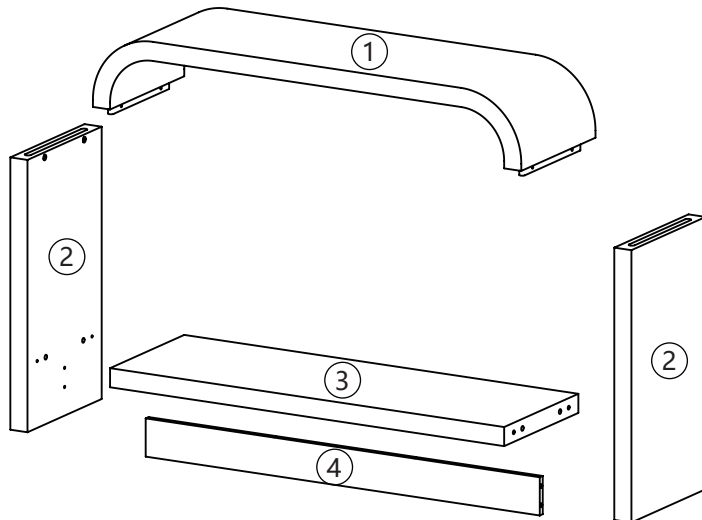
MAXIMUM SAFE LOAD: 15KG FOR TOP, 10KG FOR SHELF.

Hardware list

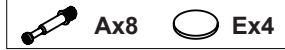
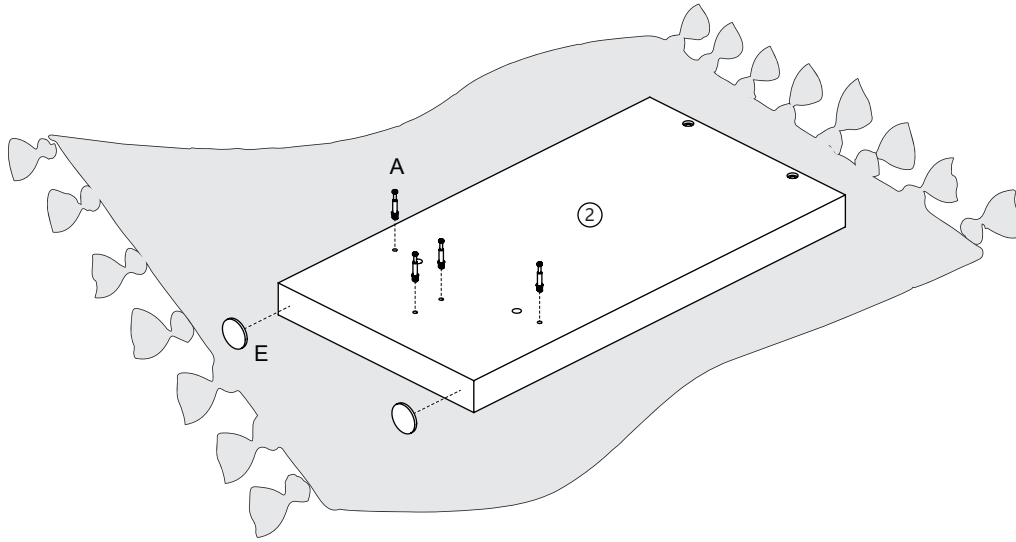
	A		10PCS		G		2PCS
	B		10PCS		H	M4X12mm	2PCS
	C	M10X40mm	4PCS		I	M4X35mm	2PCS
	D	M6X20mm	4PCS		J		2PCS
	E		4PCS		K		1PC
	F		4PCS				

Parts List

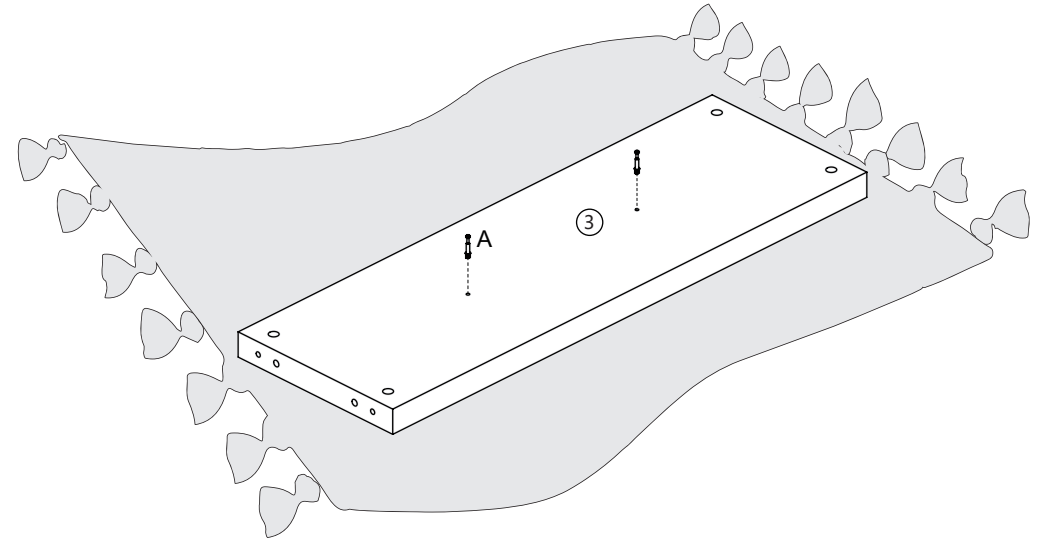
	
① 1 PC	② 2 PCS
	
③ 1 PC	④ 1 PC



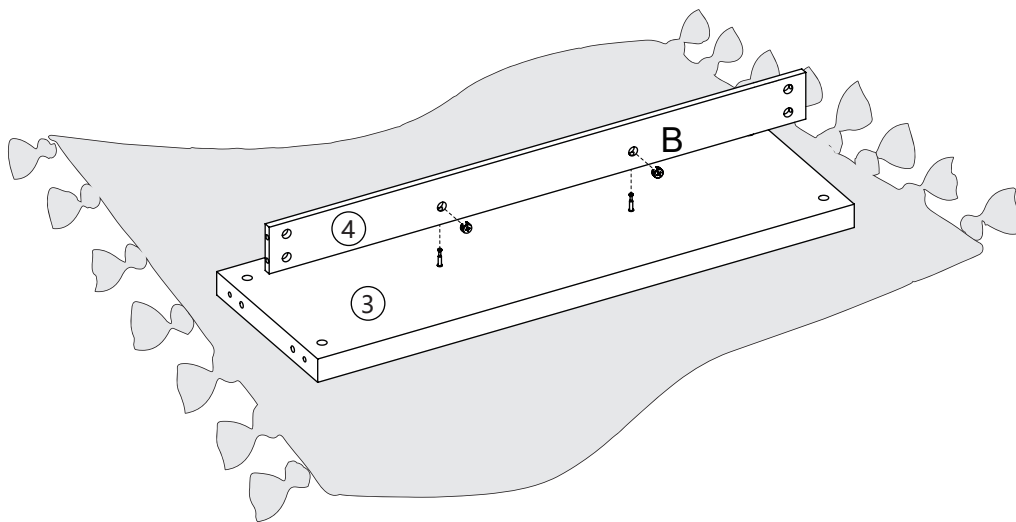
Do not tighten the screws fully during assembly.
Fully tighten screws after the final assembly steps

STEP 1**x2**

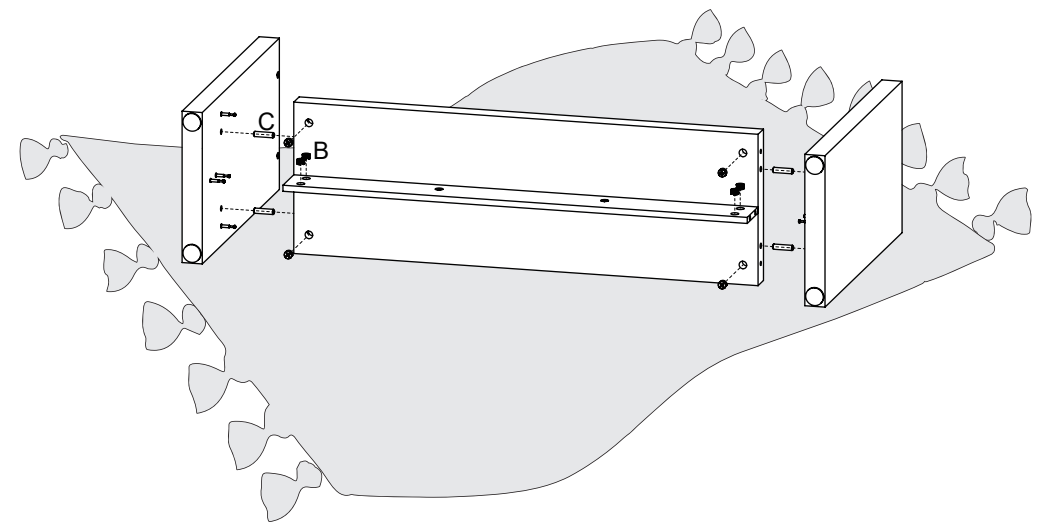
Please lay furniture on the carpet to avoid any dirty or damage on the texture during assembly.

STEP 2

Please lay furniture on the carpet to avoid any dirty or damage on the texture during assembly.

STEP 3

Please lay furniture on the carpet to avoid any dirty or damage on the texture during assembly.

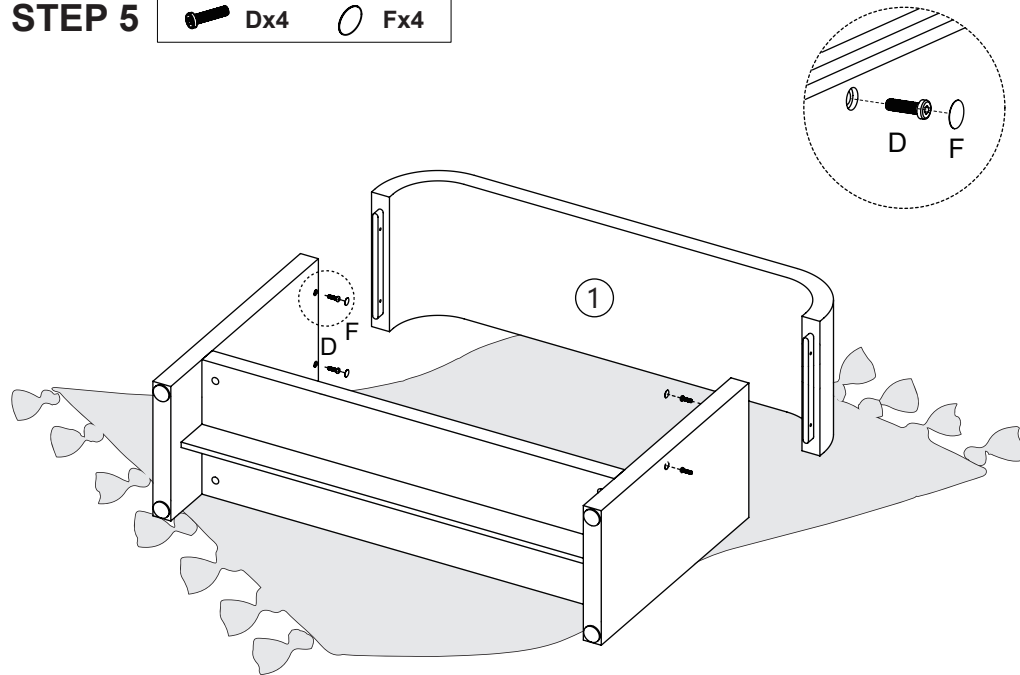
STEP 4

Please lay furniture on the carpet to avoid any dirty or damage on the texture during assembly.

STEP 5

 Dx4

 Fx4

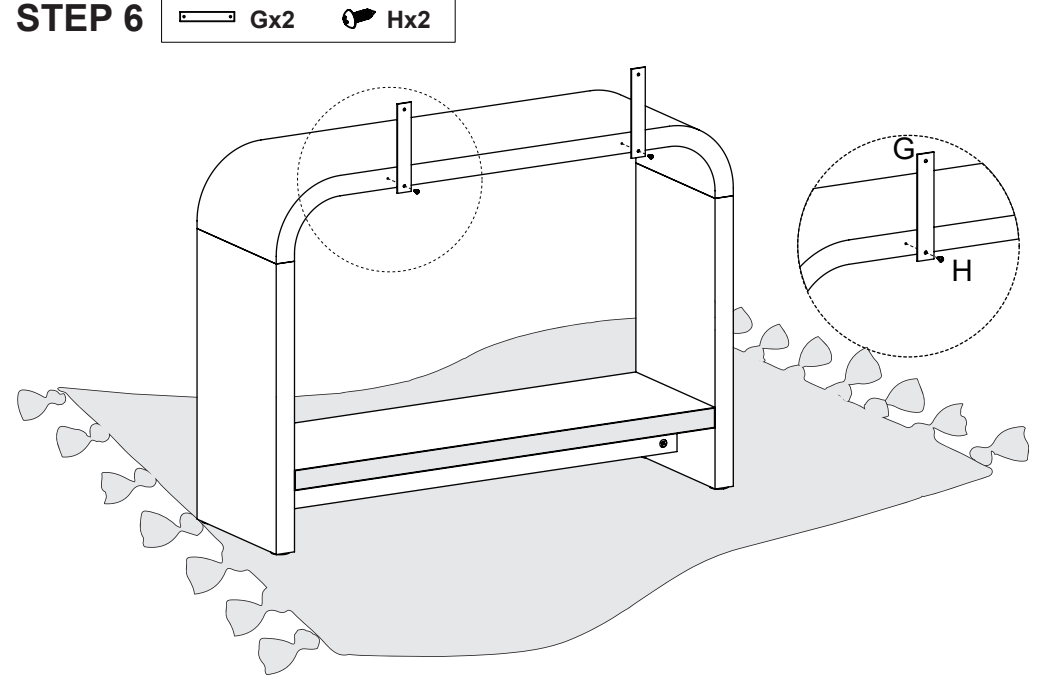


Please lay furniture on the carpet to avoid any dirty or damage on the texture during assembly.

STEP 6

 Gx2

 Hx2

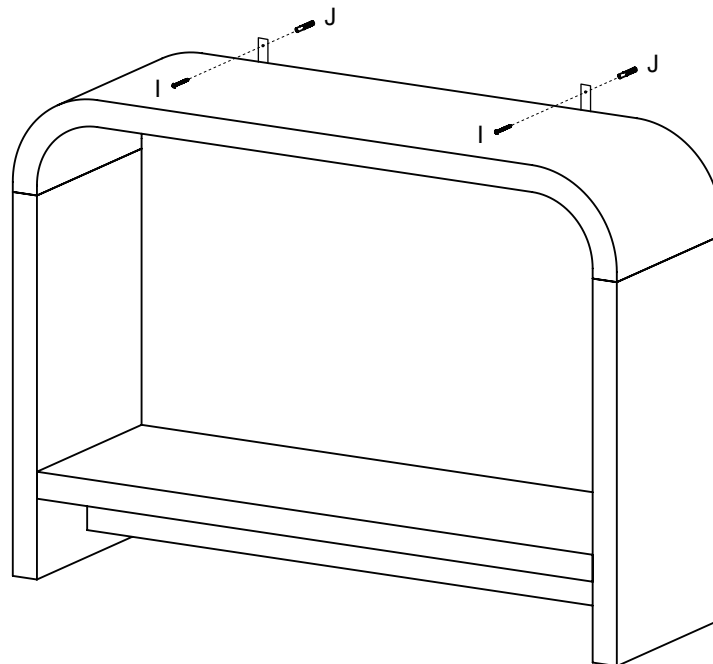


Please lay furniture on the carpet to avoid any dirty or damage on the texture during assembly.

STEP 7

 Ix2

 Jx2



User instructions should include the wording:

- **It is strongly recommended that this product is permanently fixed to the wall.**
- **Please seek professional advice if you are in doubt of what fixing device to use.**
- **Regularly check that anchors are securely maintained.**
- **Stability of tall items may be affected by thick pile carpet or uneven floors .**
- **Do not place unanchored televisions on furniture .**

CAUTION: for your safety when attaching the anchor fixings, please note the following:

- **Check any electrical wires or plumbing inside the wall before drilling any holes (if you are unsure please seek professional advice from a qualified tradesperson).**



WARNING: PLEASE SECURE YOUR FURNITURE WITH THE SUPPLIED WALL FIXING. SCAN THE CODE FOR MORE INFORMATION.

