

Assembly Instructions

43410767 RYDER BEDSIDE TABLE

CARE INSTRUCTIONS:









WIPE CLEAN WITH A DRY CLOTH. DO NOT USE ABRASIVE MATERIALS AND SOLVENTS. CHECK AND TIGHTEN ALL PARTS REGULARLY. KEEP AWAY FROM WATER AND DIRECT SUNLIGHT. STORE IN A DRY PLACE. FOR INDOOR AND DOMESTIC USE ONLY. SIMPLY ALLOW TO AIR OUTSIDE AND THIS WILL FADE.

WARNING:

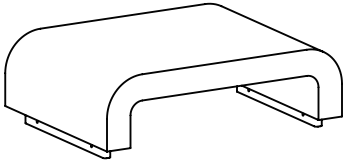
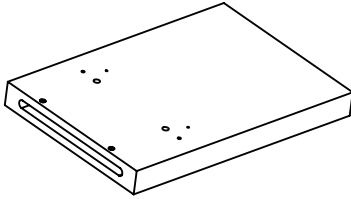
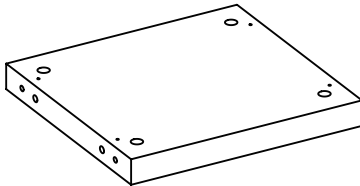
DO NOT STAND OR SIT ON THIS UNIT. DO NOT USE THIS UNIT UNLESS ALL BOLTS AND SCREWS ARE FIRMLY SECURED. DO NOT KNOCK OR DRAG THIS UNIT. USE ONLY ON A FLAT SURFACE. DO NOT PLACE HOT ITEMS SUCH AS COFFEE CUPS DIRECTLY ON THE SURFACE. ADULT ASSEMBLY REQUIRED. FAILURE TO FOLLOW THESE WARNINGS COULD RESULT IN SERIOUS INJURY. THIS PACKAGE CONTAINS SMALL PARTS AND SHARP POINTS. KEEP AWAY FROM CHILDREN AND BABIES.

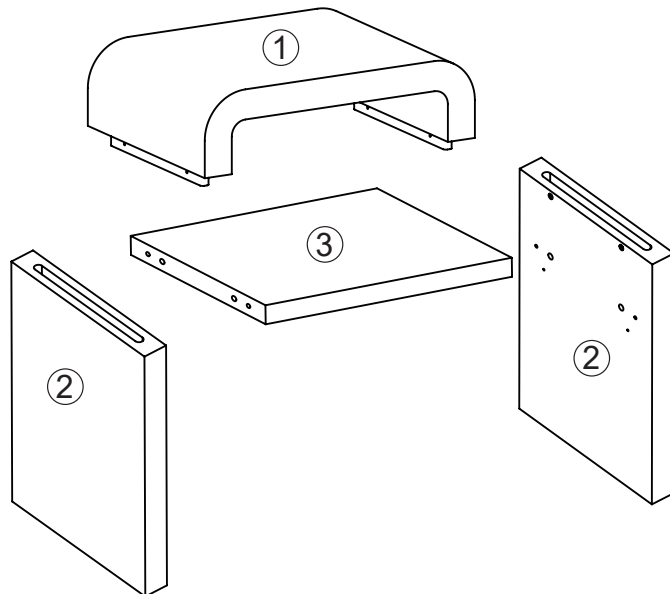
MAXIMUM SAFE LOAD: 5KG.

Hardware list

	A		4PCS		E		4PCS
	B		4PCS		F		4PCS
	C		4PCS		G		4PCS
	D	M4X30mm	4PCS		H	M4X12mm	8PCS

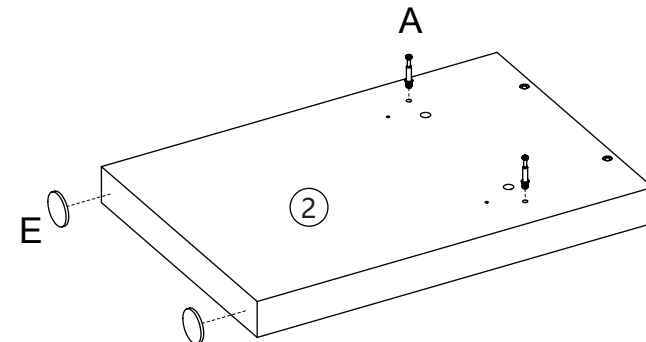
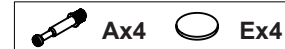
Parts List

	①	1 PC		②	2 PCS
	③	1 PC			



Do not tighten the screws fully during assembly.
Fully tighten screws after the final assembly steps

STEP 1



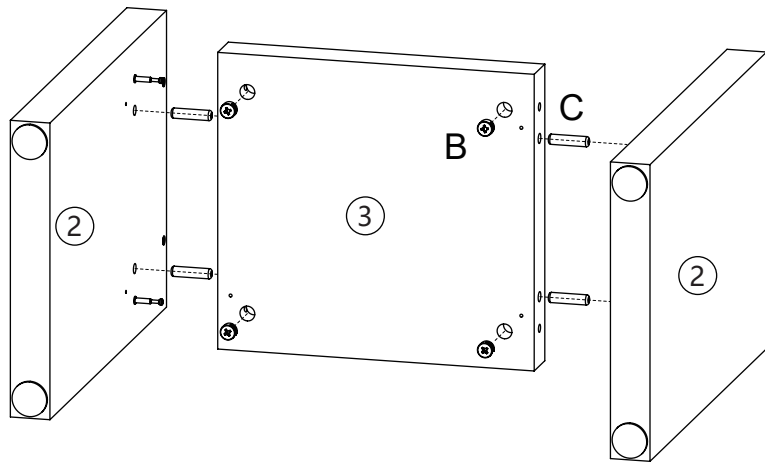
x2

STEP 2

Bx4



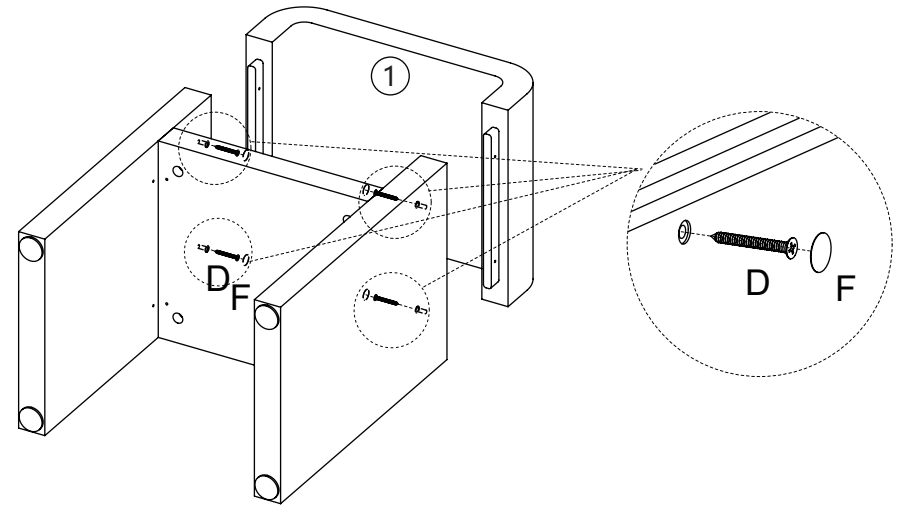
Cx4

**STEP 3**

Dx4



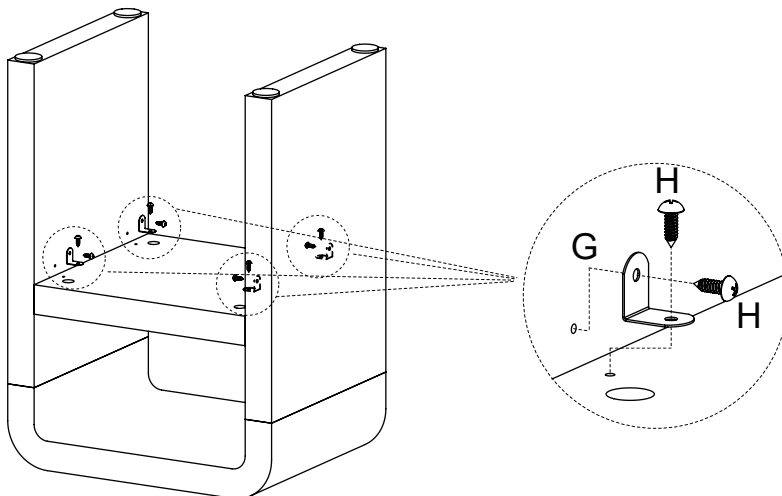
Fx4

**STEP 4**

Gx4



Hx8

**STEP 5**