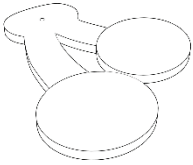
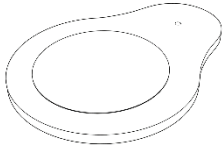
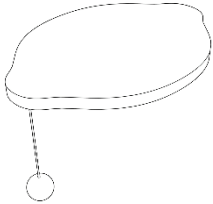
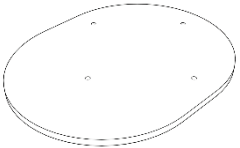
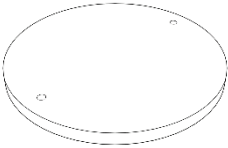
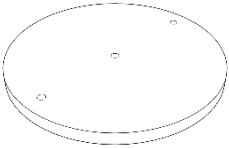
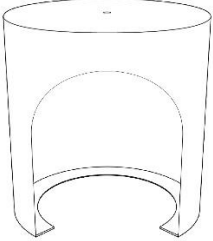
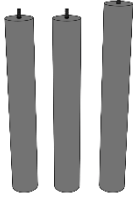
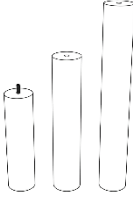
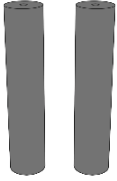


anko





## Cat Scratcher Novelty Fruit



**Contents :**

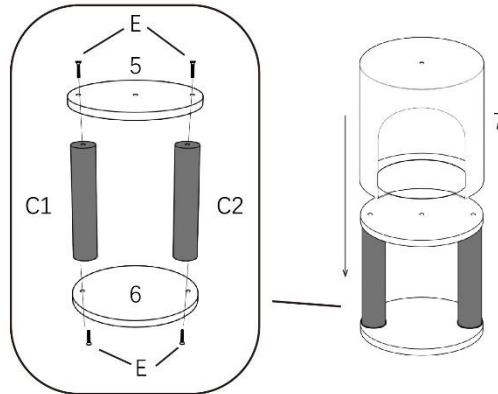
 <p>1 420mm*450mm*18mm</p>	 <p>2 400mm*300mm*14mm</p>	 <p>3 350mm*250mm*14mm</p>
 <p>4 500mm*400mm*14mm</p>	 <p>5 280mm*280mm*14mm</p>	 <p>6 280mm*280mm*12mm</p>
 <p>7 280mm*280mm*290mm</p>	 <p>A1 A2 A3 A1/A2 60mm*60mm*400mm A3 60mm*60mm*430mm</p>	 <p>B1 B2 B3 B1 60mm*60mm*215mm B2 60mm*60mm*295mm B3 60mm*60mm*400mm</p>
 <p>C1 C2 C1/C2 55mm*55mm*255mm</p>		

**Accessory**

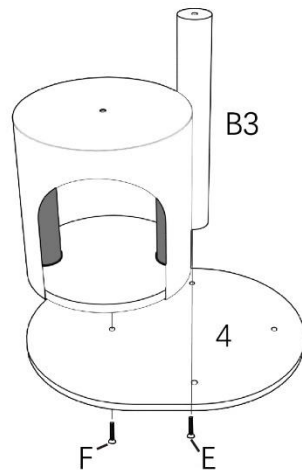
 <p>D</p>	<p>2PCS 8mm*55mm</p>
 <p>E</p>	<p>8PCS 8mm*35mm</p>
 <p>F</p>	<p>1PCS 8mm*30mm</p>
 <p>G</p>	<p>1PCS 5mm</p>

**Instructions:**

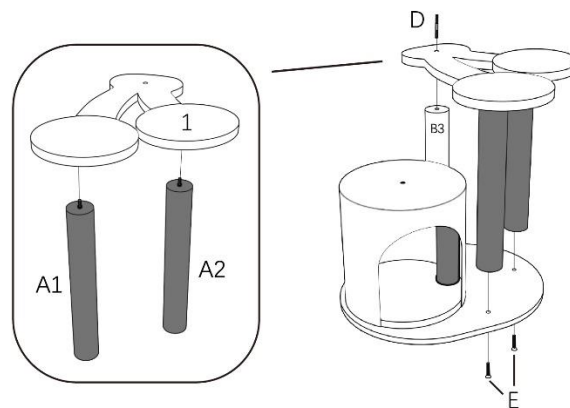
Step 1 Using the hex key(G\*1) and screws(E\*4) assemble pole C1, pole C2 and board (NO.5\*1 and NO.6\*1) together. Then put the fabric (NO.7) cover on.



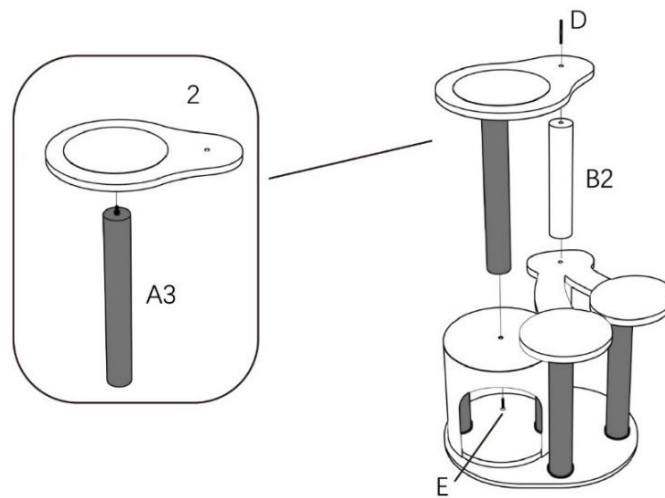
Step 2 Using the hex key (G\*1) and screws (E\*1, F\*1) screw the playhouse with board (NO.4\*1) together and screw B3 with board together as well.



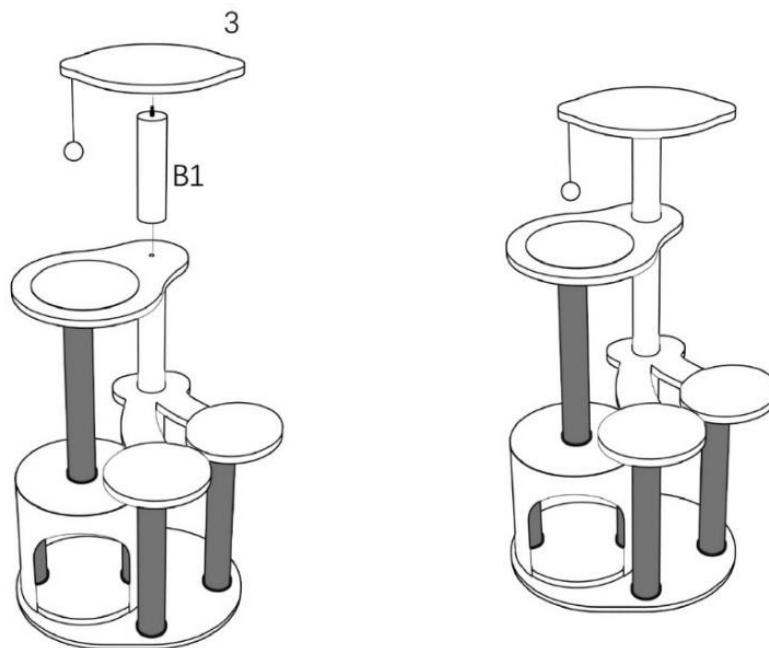
Step 3 Screwing the A1 and A2 together with the "Cherry (NO.1\*1)" board, and screw the Cherry board (NO.1\*1) and B3 together by screw (D\*1).



Step 4 Screwing pole (A3) with “Avocado (NO.2\*1)” board together. Assemble “Avocado (NO.2\*1)” board with the “Cherry” board and playhouse by screwing B2.



Step 5 Finally assemble NO.3 by screwing pole B1.



**WARNING:**

FOR INDOOR USE ONLY.

FOR YOUR PET'S SAFETY, INSPECT REGULARLY AND REMOVE IF DAMAGED.