

PRINCESS BUBBLE SCOOTER INSTRUCTIONS

K: 43419555 | T: 69508288

WARNING! Assembly by an adult.

WARNING! Not suitable for children younger than 2 years old, due to danger of falling.

WARNING! Protective equipment should be worn.

WARNING! Not suitable for children with a body mass of more than 20kg.

WARNING! Do not use on public roads.



Remove the scooter and all the parts from the box. Set out all the parts and read the assembly instructions prior to use. Keep the packaging until assembly is complete.

General instructions

- This scooter must be assembled by a responsible adult. Prior to use, make sure that the scooter has been assembled properly. Remove all the parts which are not necessary for play before giving the scooter to your child. Due to the skill it requires, the scooter must be used with care in order to avoid falls or collisions likely to injure the user or others.
- To be used with suitable protective equipment, including a helmet, shoes, elbow, wrist and knee protection. Teach the child how to use it safely and responsibly.
- The scooter is not a toy for children under the age of 2 years.
- Check all screws, bolts and fittings are secure before giving to a child.
- Wheels are glow in dark. Need to absorb solar energy during the daytime.

Directions

- a) The scooter can be dangerous and can lead to traffic accident when used on public highways. Do not use on the public roads.
- b) For use on smooth, paved surfaces only.
- c) Avoid bumps and drainage grates that may cause an accident.
- d) Avoid streets and surfaces with water, sand, gravel, dirt, leaves and other debris. Wet weather impairs traction, braking and visibility.
- e) This product has no brake. Please put feet on floor to stop.
- f) The scooter does not include any headlights or lights. It is therefore not suitable for use at night or during periods when visibility is limited.

- g) Use protective equipment such as a helmet, gloves, knee-pads and elbow-pads.
- h) Always use under adult supervision.
- i) Do not allow more than one child to ride the scooter at the same time.
- j) Avoid excessive speed associated with downhill rides.
- k) Check and secure all locking devices are engaged before every ride.
- l) Replace all worn and broken parts immediately.
- m) A parent's decision to allow his or her child to ride this product should be based on the child's skill, maturity and ability.

During use

- Place one foot on the deck and push forward with the other foot. Steer with both hands on the handgrips. Turn handlebar left or right in the direction you wish to travel.
- Braking: This product has no brake. Step-off to stop.
- Shoes are mandatory and we strongly advise you to wear pants and long sleeve shirts to avoid injury if you fall.
- Children should be reminded that the scooter should be used with caution, since it requires skill, so as to avoid falls or collisions causing injury to the user or third parties.

Assembly Instructions:

SCOOTER PARTS LIST:

1. FRONT WHEEL AND FORK X 1
2. REAR WHEEL X 2
3. SCOOTER BODY X 1
4. HANDLE BAR X 1
5. STEERING POLE X 1
6. REAR WHEEL COVER X 2
7. BUBBLE MACHINE X 1

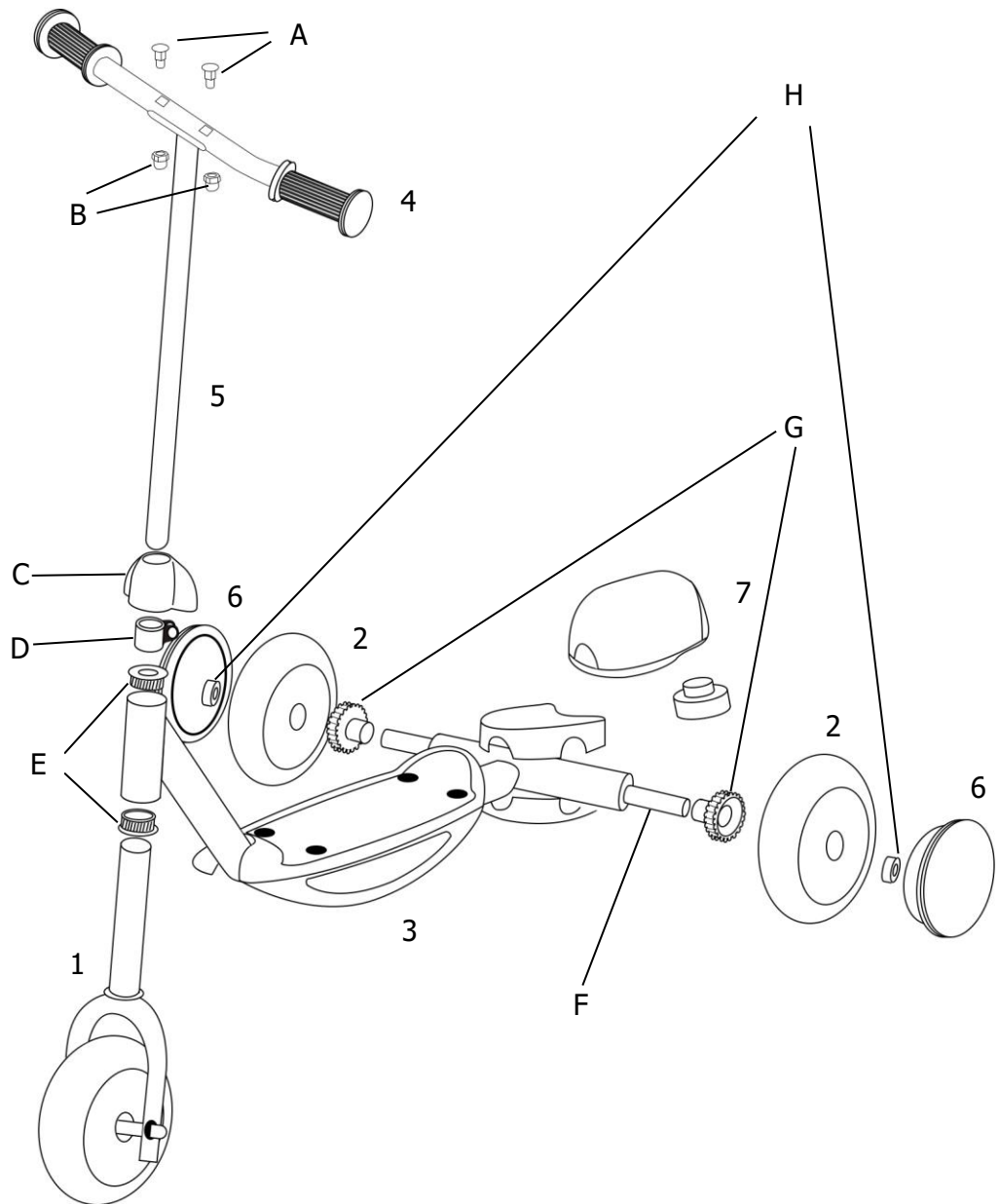
SPARE PARTS LIST:

- A. LARGE BOLT X 2
- B. SMALL NUT X 2
- C. PLASTIC COVER X 1
- D. COLLAR CLAMP X 1
- E. PLASTIC COVER X 2
- F. REAR WHEEL AXLE X 1
- G. REAR WHEEL HUB X 2
- H. LARGE NUT X 2

ASSEMBLING TOOLS LIST:

SPANNERS X 2

ALLEN KEYS X 2



1. ASSEMBLE THE REAR WHEELS

Step 1: Attach rear wheel hubs(G) to back of scooter(3).

Step 2: Put rear wheel axle(F) through the wheel hubs.

Step 3: Attach rear wheels(2) to rear wheel axle on both sides.

Step 4: Using the two spanners(provided) to tight large nuts(H) with the axle on both sides at the same time.

Step 5: Insert the rear wheel covers(6) on two sides.

2. ASSEMBLE THE FRONT FORK & WHEEL AND STEERING POLE

Step 1: Make sure both plastic covers(E) are installed at the top and bottom of the front of the scooter body(3) before assembling.

Step 2: Put the front wheel and fork(1) through the scooter body from the bottom-up.

Step 3: Put the plastic cover(C) over the steering pole(5).

Step 4: Put the collar clamp(D) over the front wheel and fork, make sure the bolt and nut points to the back of the scooter.

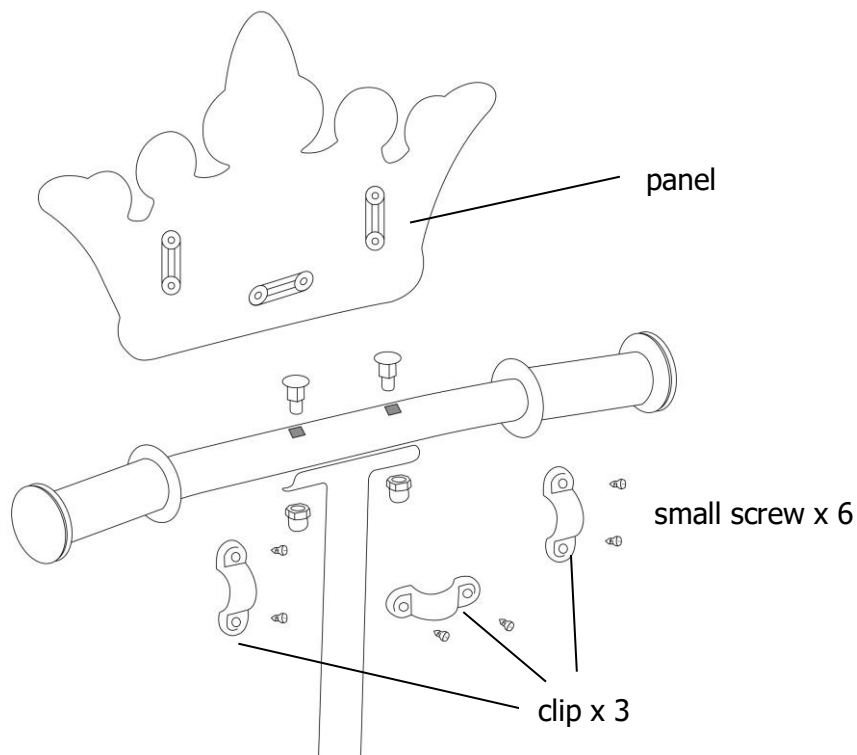
Step 5: Insert the steering pole into the fork, using the spanner(provided) to tighten the collar clamp. Move the plastic cover(C) to cover the collar clamp.

3. ASSEMBLE THE HANDLE BAR AND PANEL

Step 1: Put the handle bar(4) on the steering pole, make sure that the square hole is on top as per picture and put the two large bolts(A) through the holes.

Step 2: Using the spanner(provided) to tighten the small nuts(B) with the bolts and secure the handle bar to the steering pole.

Step 3: Put the panel and clips as below picture, using allen keys(provided) to tighten the screws.



4. HOW TO LIGHT UP YOUR SCOOTER

Batteries not included. You need to prepare 3 X AA (1.5V) batteries.

Step 1: Use allen keys(provided) to loosen screw on battery compartment cover on underside of deck and then release the cover.

Step 2: Insert/replace 3 X AA (1.5V) batteries as per the polarity diagram signified in the battery compartment.

Step 3: After batteries are inserted/changed, place the cover back onto the battery compartment and screw again to firmly secure the cover.

Step 4: Switch on to light up your scooter.

WARNINGS: Insert batteries with the correct polarity and always follow the manufacturer's instructions.

Do not mix new and used batteries or alkaline, standard (carbon-zinc), or rechargeable (nickel-cadmium) batteries.

Remove batteries if product will be stored for an extended period.

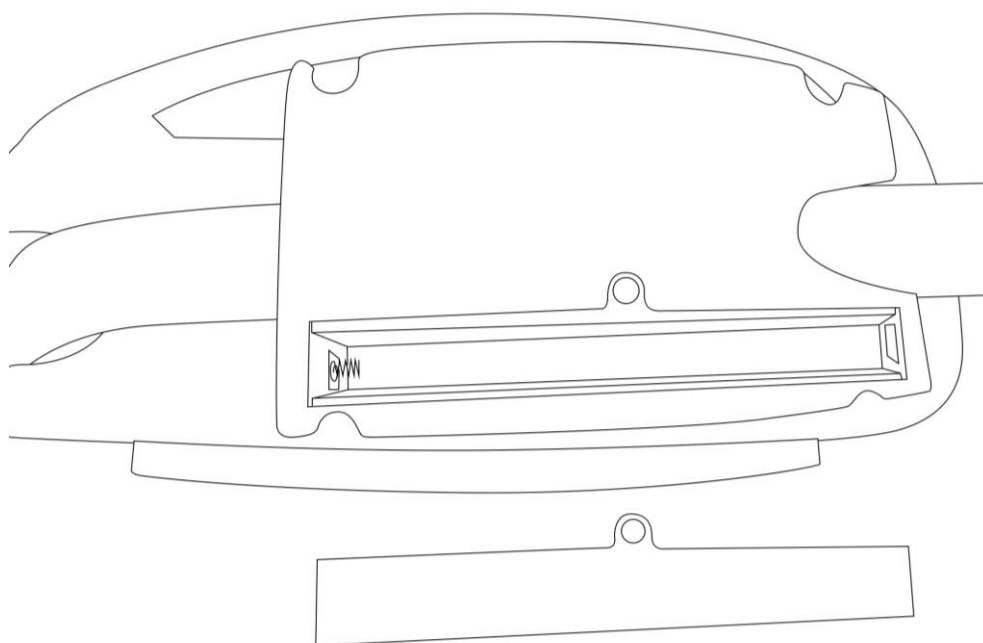
Dispose of used batteries responsibly.

Non-rechargeable batteries are not to be recharged.

Rechargeable batteries are only to be charged under adult supervision.

Exhausted batteries are to be removed from the toy.

The supply terminals are not to be short-circuited.



5. BUBBLE MACHINE FUNCTION

Batteries not included. You need to prepare 3 X AA (1.5V) batteries.

Step 1: Use allen keys(provided) to loosen screw on battery compartment cover on underside of bubble machine and then release the cover.

Step 2: Insert/replace 3 X AA (1.5V) batteries as per the polarity diagram signified in the battery compartment.

Step 3: After batteries are inserted/changed, place the cover back onto the battery compartment and screw again to firmly secure the cover.

Step 4: Slide the bubble machine fully into the back of the scooter body and hear a 'CLICK'.

WARNINGS: Insert batteries with the correct polarity and always follow the manufacturer's instructions.

Do not mix new and used batteries or alkaline, standard (carbon-zinc), or rechargeable (nickel-cadmium) batteries.

Remove batteries if product will be stored for an extended period.

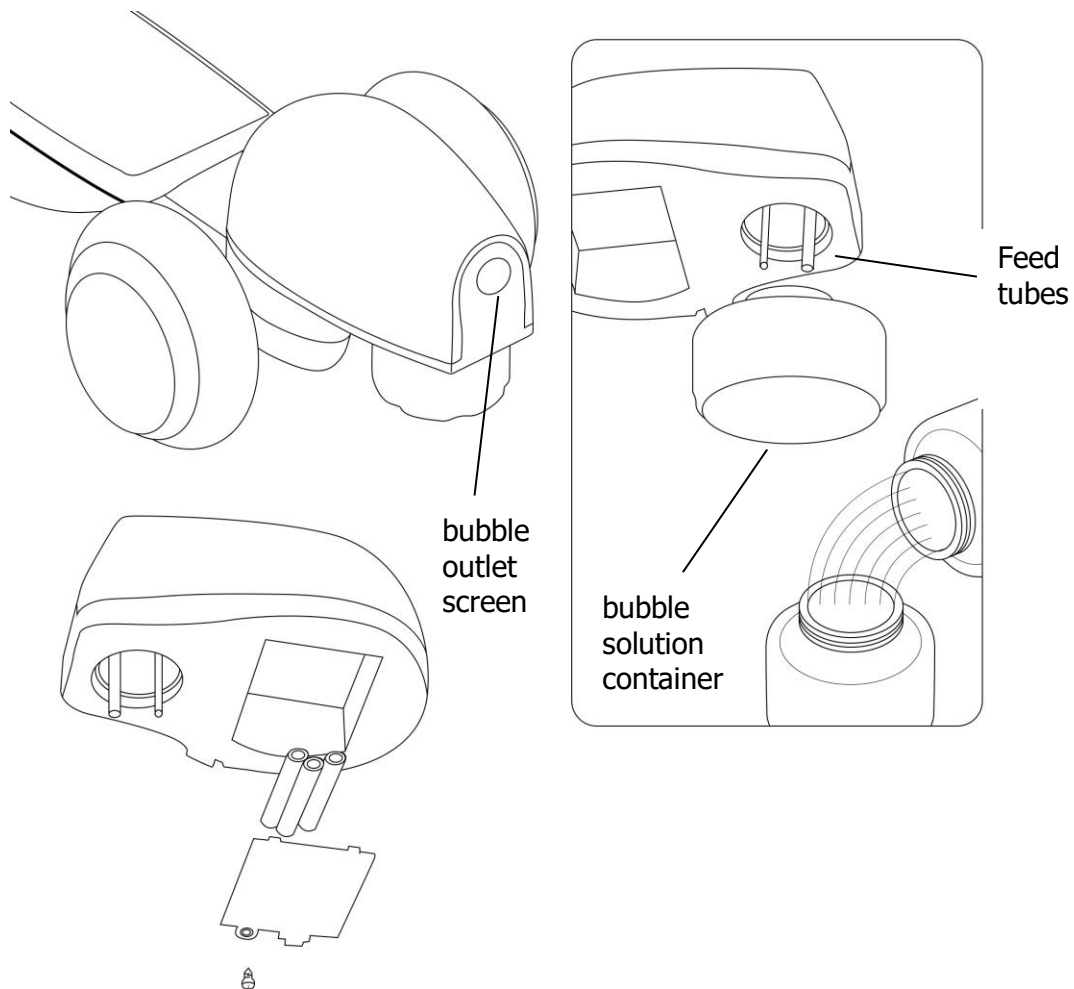
Dispose of used batteries responsibly.

Non-rechargeable batteries are not to be recharged.

Rechargeable batteries are only to be charged under adult supervision.

Exhausted batteries are to be removed from the toy.

The supply terminals are not to be short-circuited.



Bubble solution not included.

Bubble machine operation:

Step 1: Hold bubble machine and unscrew bubble solution container.

Step 2: Fill with bubble solution and reinstall securely. Being careful and not to bend the feed tubes.

Step 3: Switch on to start the bubble machine.

NOTE: It may take a short while for bubbles to first appear.

If bubbles do not appear:

After verifying the batteries are good, the machine can turn on and the motor runs, proceed with the following steps:

Step 1: Switch bubble machine off.

Verify the following:

- bubble solution container is full with bubble solution and fully seated.
- the bubble solution feed tubes are in place and not damaged.
- wipe clean bubble outlet screen with dry cloth.
- switch on the machine, bubbles should appear after a short while.

BUBBLE MACHINE MAINTANCE:

- clean the machine to extend useful life, wipe clean with dry cloth.
- soap and water only.
- before storage, run clean water through bubble maker for 30 seconds and store empty.
- DO NOT submerge, saturate or leave out in the rain.

WARNING:

- bubble solution not for human consumption.
- **EYE IRRITANT: IN CASE OF CONTACT WITH EYES, FLUSH EYE THOROUGHLY WITH WATER.**
- bubble solution may stain some surfaces.
- use only commercially available bubble solution.

Care Instructions

Clean, wipe with a dry cloth. Do not use industrial cleaners, solvents, alcohol or ammonia-based cleaners, they may damage surfaces and plastic parts. Get in the habit of inspecting your scooter on a regular basis and before every ride.

MADE IN CHINA

CUSTOMER SERVICE:

KMART AU: 1800 124 125

KMART NZ: 0800 945 995

TARGET AU: 1300 753 567